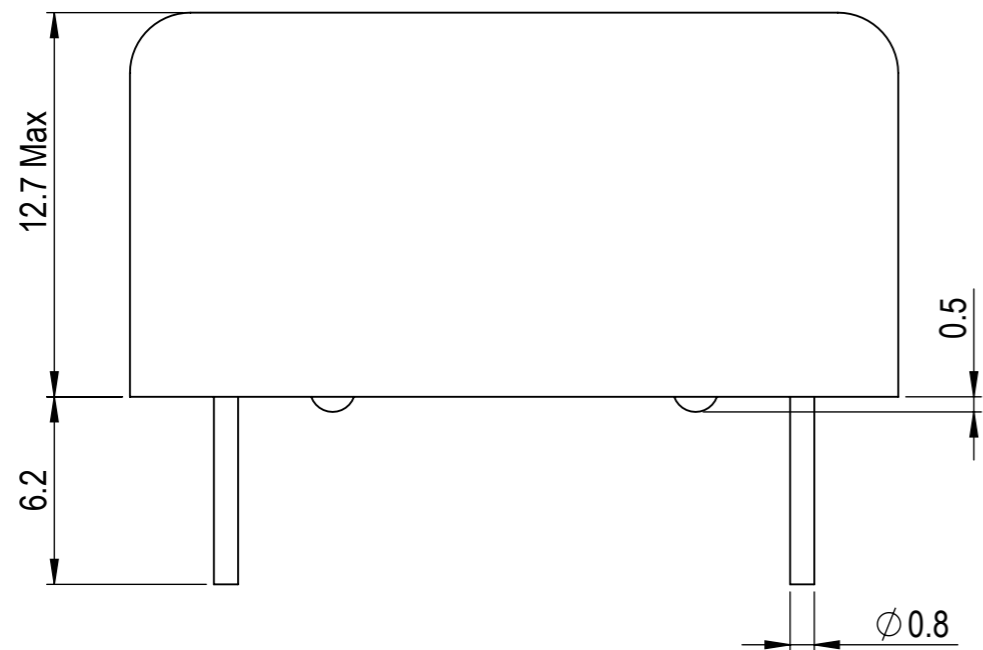
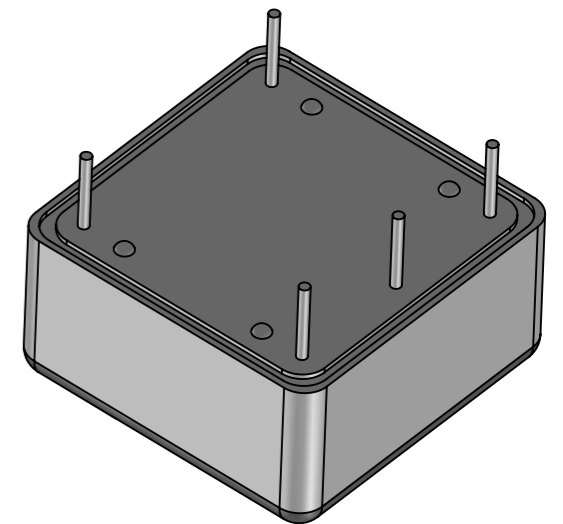
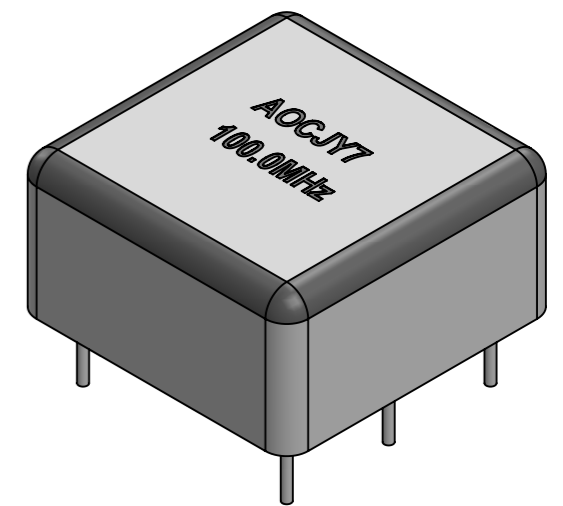



Bottom View

PIN	FUNCTION:
1	Power Supply
2	R F OUT
3	GND
4	Control Voltage/NC
5	Reference Voltage/NC



UNLESS OTHERWISE SPECIFIED: DIMENSIONS ARE IN MM SURFACE FINISH: TOLERANCES: LINEAR: ANGULAR:				FINISH:		DEBUR AND BREAK SHARP EDGES		DO NOT SCALE DRAWING		REVISION -	
DRAWN XXXXXX				SIGNATURE		DATE		 30332 Esperanza, Rancho Santa margarita, California 92688			
CHK'D XXXXXX											
APPV'D								TITLE: OVEN CONTROLLED CRYSTAL OSCILLATOR			
MFG								DWG NO. AOCJY7			
Q.A						MATERIAL:		SCALE:4:1			
						WEIGHT:		SHEET 1 OF 1			