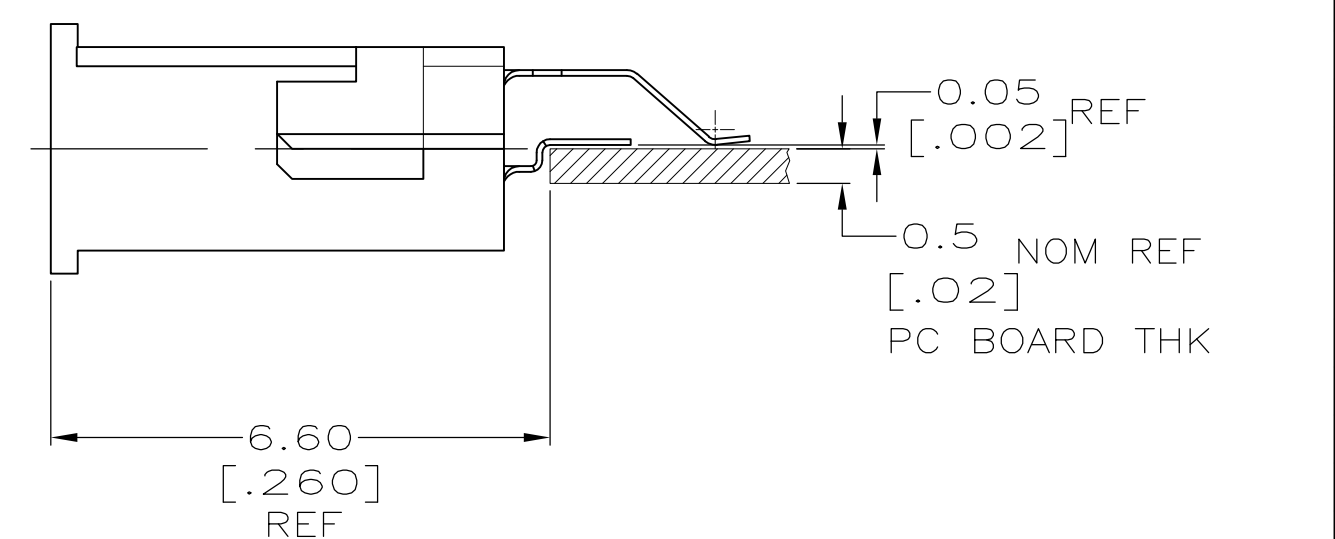
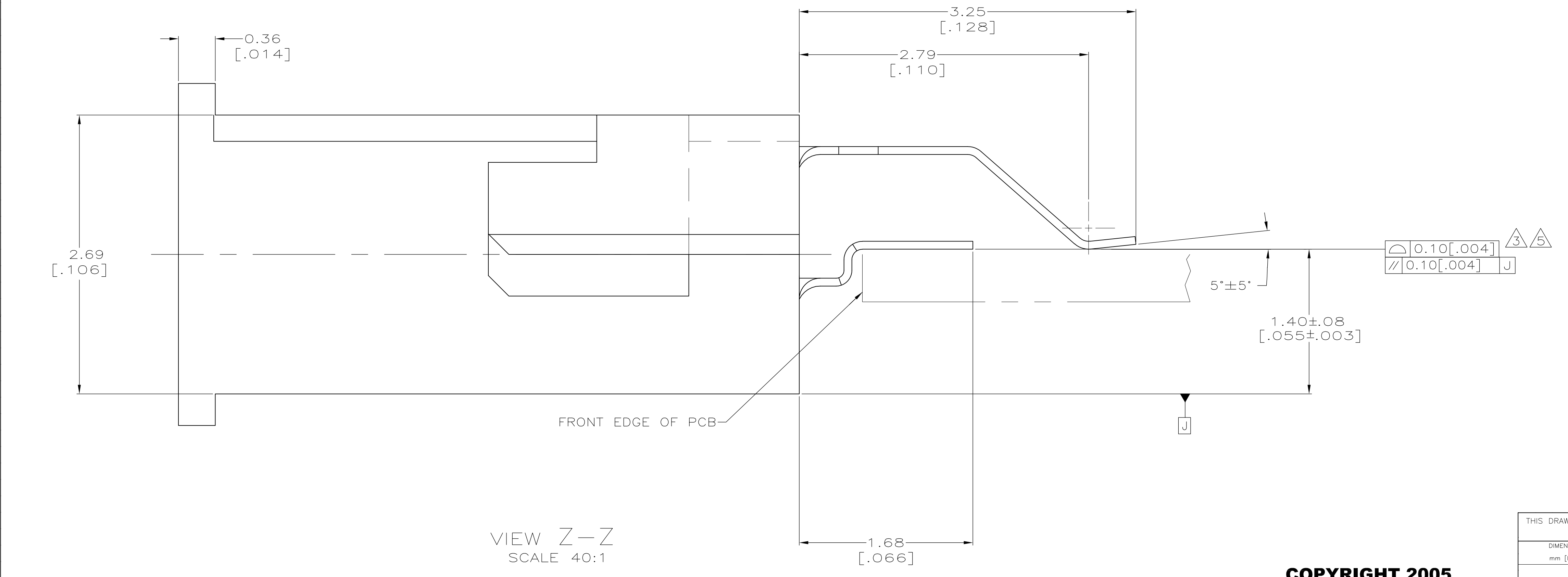
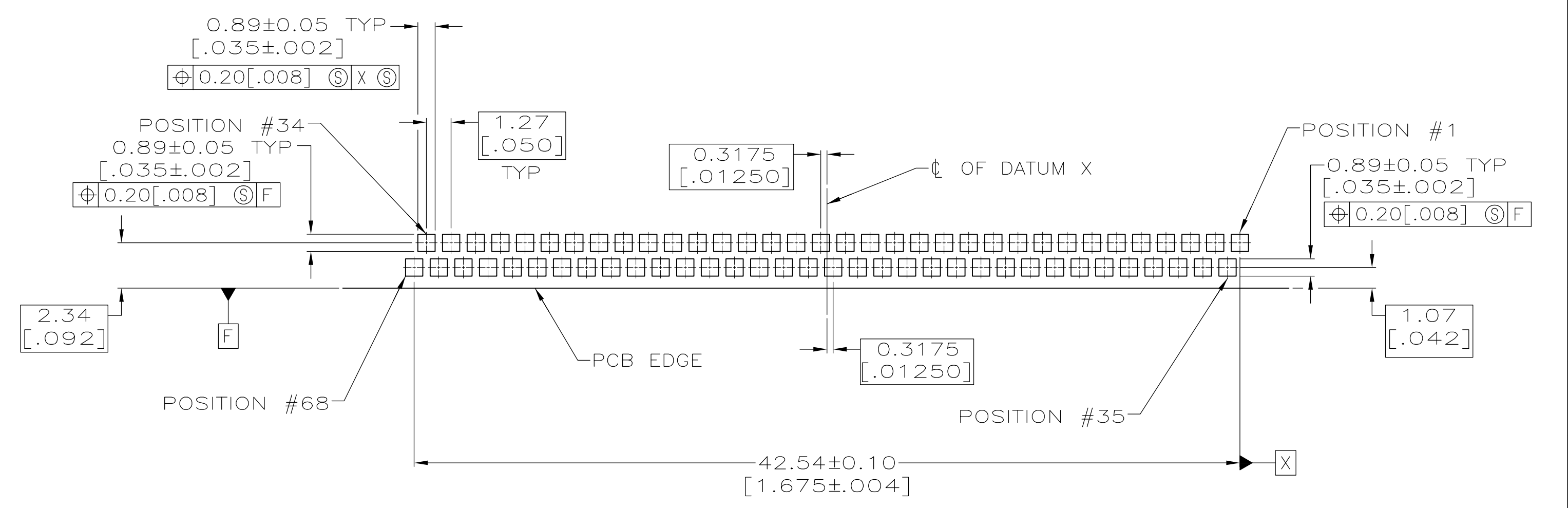
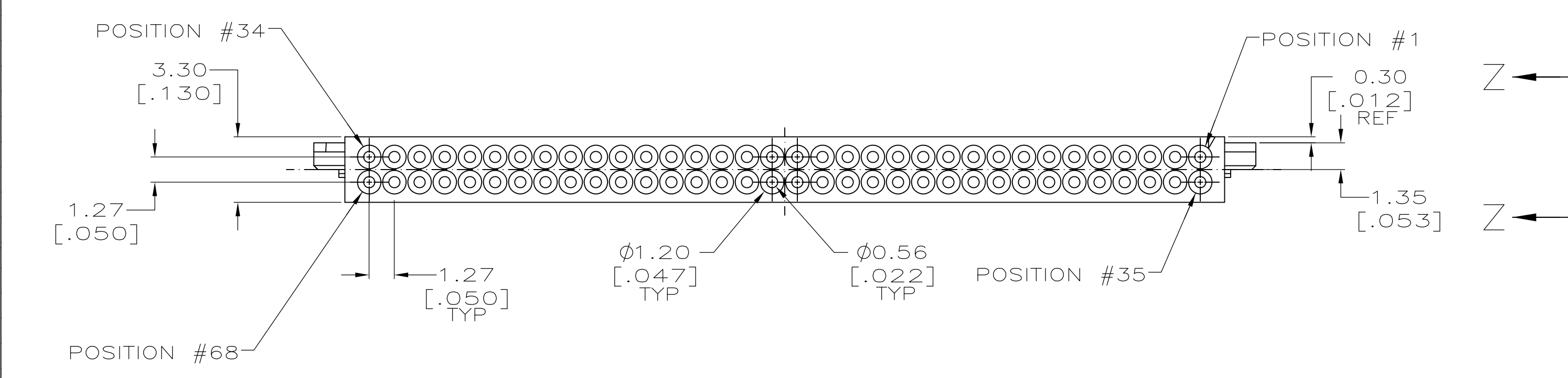
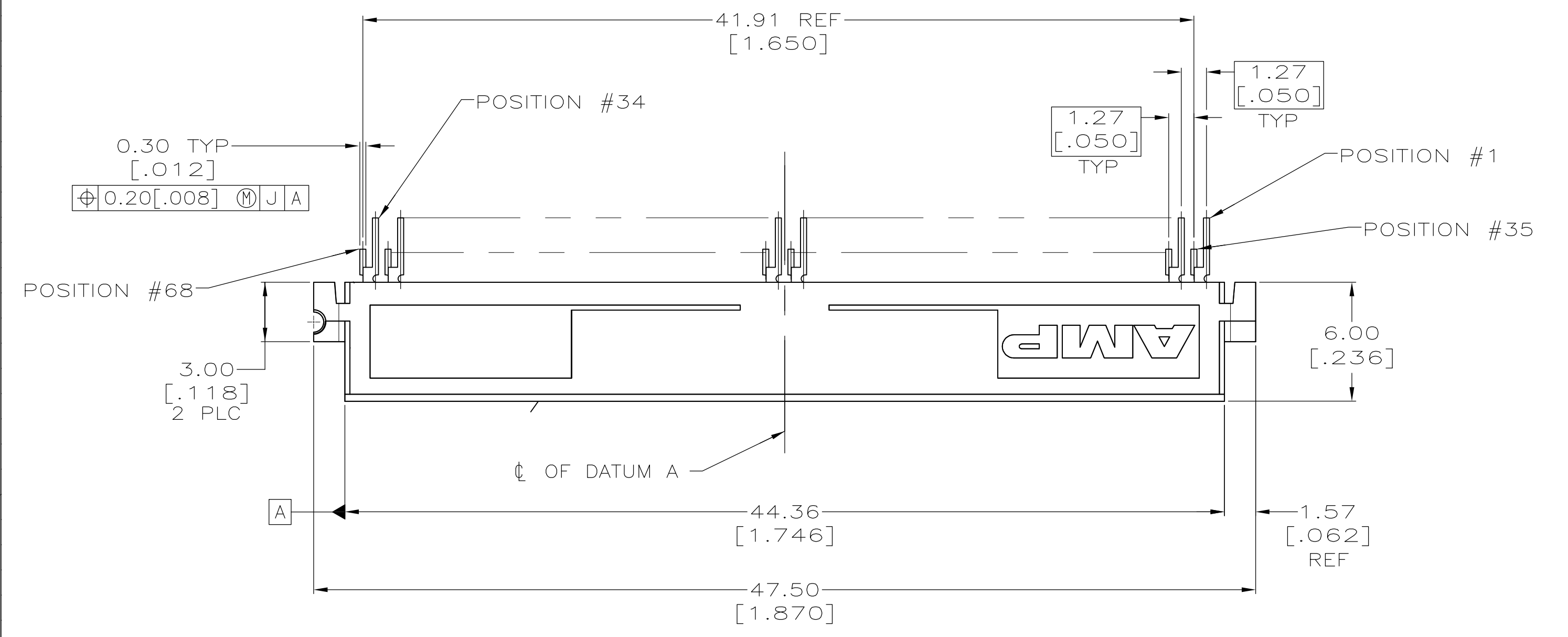


LOC		DIST		REVISIONS			
GP	00	F	LTR	DESCRIPTION	DATE	DMN	APVD
A1				REVISED PER ECO-13-020110	03JAN2014	CJV	EDB



PC BOARD LOCATION SCALE 10:1

VIEW Z-Z SCALE 40:1

- ① HOUSING: LCP, GLASS FILLED, COLOR: BLACK.
- ② CONTACT: BERYLLIUM COPPER.
- ③ DIMENSION IN REFERENCE TO LOWEST POINT OF EACH LEAD.
- ④ POINT OF CONTACT 2.3[.091] REF FROM MATING FACE.
- ⑤ APPLIES TO ALL SOLDER TAILS.
- ⑥ PACKAGED IN 56mm WIDE TAPE AND REEL.
- ⑦ PACKAGED IN 72mm WIDE TAPE AND PLASTIC REEL.
- ⑧ CONTACTS: 0.00076[.000030] MINIMUM GOLD ON MATING AREA 0.00064[.000025] MINIMUM SEMI-BRIGHT NICKEL ON MATING AREA 0.00254[.000100] MINIMUM MATTE TIN ON SOLDER TAIL, ALL OVER 0.00127[.000050] MATTE NICKEL.

COPYRIGHT 2005 TYCO ELECTRONICS CORP ALL RIGHTS RESERVED

THIS DRAWING IS A CONTROLLED DOCUMENT.		DIN A FERNANDEZ-DOCKS 02-21-05		5146228-4	
DIMENSIONS: mm [INCHES]		CHK S BOLASH 02-21-05		5146228-3	
TOLERANCES UNLESS OTHERWISE SPECIFIED:		APVD M WALMSLEY 02-21-05		PART NUMBER	
0 PLC ± -	1 PLC ± -	NAME RECEPTACLE ASSEMBLY, SURFACE MOUNT, 68 POSITION, ZERO OFFSET, AMP MEMORY CARD		RESTRICTED TO	
2 PLC ± -	3 PLC ± 0.13[.005]	APPLICATION SPEC		SIZE CAGE CODE DRAWING NO	
4 PLC ± ± 0.37	ANGLES ± ± 0.37	WEIGHT		A1 00779 C=5146228	
MATERIAL	FINISH	CUSTOMER DRAWING		SCALE 5:1 SHEET 1 OF 1 REV A1	