

4

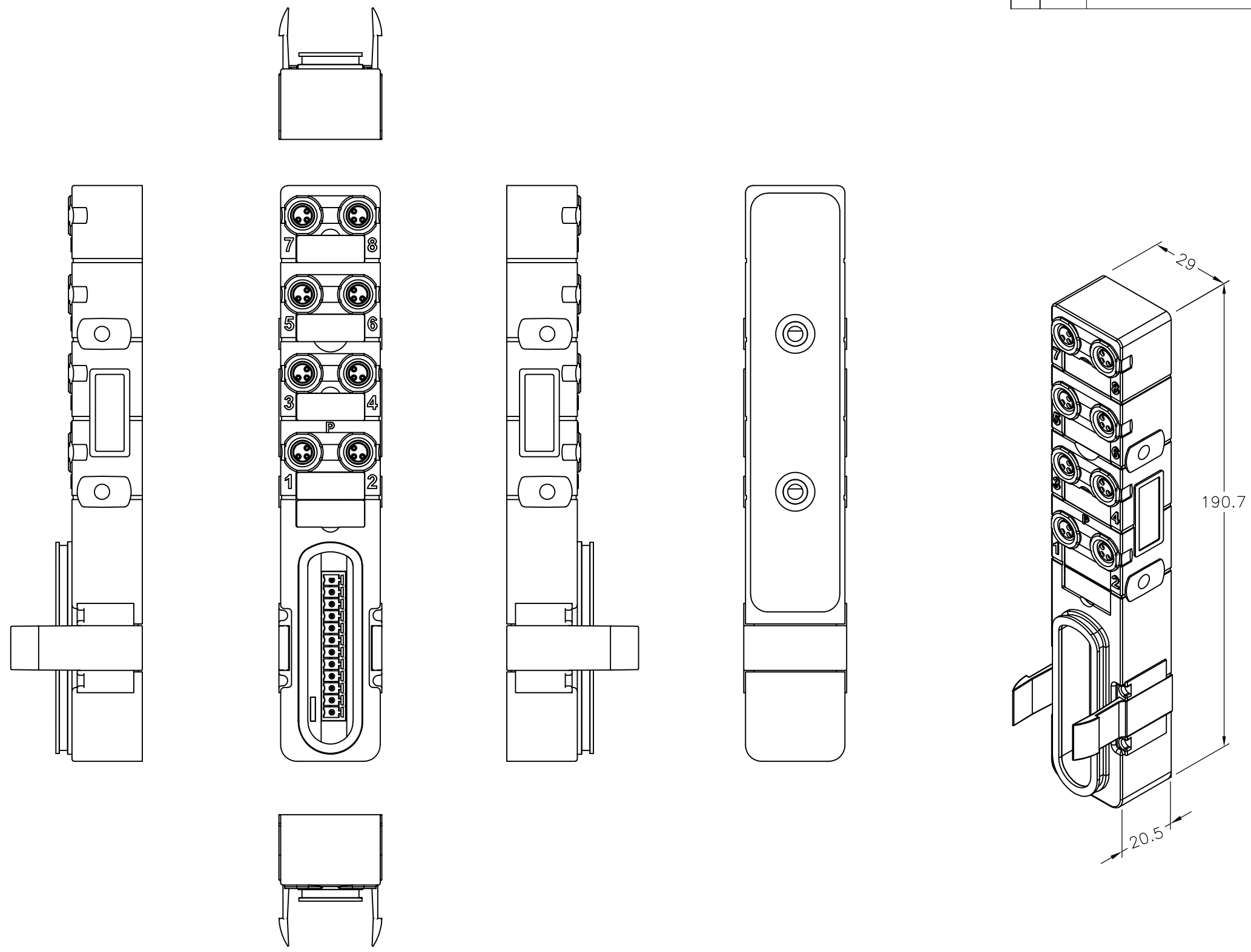
3

2


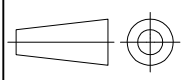
1

THIS DRAWING IS UNPUBLISHED. RELEASED FOR PUBLICATION
 © COPYRIGHT - By - ALL RIGHTS RESERVED.

LOC	DIST	REVISIONS			
P	LTR	DESCRIPTION	DATE	DWN	APVD
	A	INITIAL RELEASE	14JAN2014	GSK	BvH



Inline or side mounting	2273143-1
DESCRIPTION	TE PN

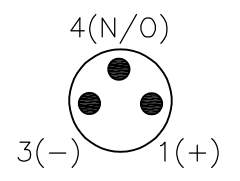
THIS DRAWING IS A CONTROLLED DOCUMENT.		DWN 14JAN2014 SATHISH KUMAR.G	 TE Connectivity			
DIMENSIONS: mm		CHK 14JAN2014 B.VELDHOVEN				
TOLERANCES UNLESS OTHERWISE SPECIFIED:		APVD 14JAN2014 A.VAN ZANDVOORT	NAME DISTR BOX M8 3POS 8WAY PNP			
		PRODUCT SPEC	-			
0 PLC ± - 1 PLC ± - 2 PLC ± - 3 PLC ± - 4 PLC ± - ANGLES ± -		APPLICATION SPEC	-			
MATERIAL		WEIGHT	SIZE	CAGE CODE	DRAWING NO	RESTRICTED TO
-		-	A3	00779	C-2273143	-
CUSTOMER DRAWING			SCALE	SHEET	REV	
			NTS	1 OF 2	A	

THIS DRAWING IS UNPUBLISHED. RELEASED FOR PUBLICATION
 © COPYRIGHT - By - ALL RIGHTS RESERVED.

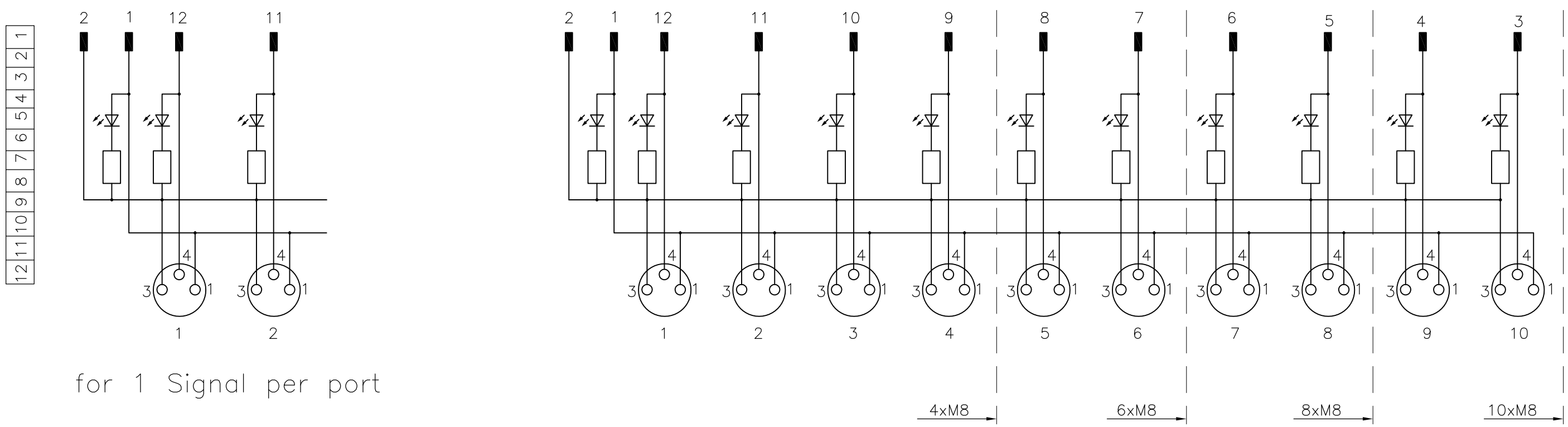
LOC	DIST	REVISIONS				
P	LTR	DESCRIPTION	DATE	DWN	APVD	
H	-	SEE SHEET 1	-	-	-	

Contact Layout

M8-Females 3-pole



Circuit diagram



for 1 Signal per port

- 12
- 11
- 10
- 9
- 8
- 7
- 6
- 5
- 4
- 3
- 2
- 1

THIS DRAWING IS A CONTROLLED DOCUMENT.		DWN 14JAN2014 SATHISH KUMAR.G	TE Connectivity		
DIMENSIONS: mm		CHK 14JAN2014 B.VELDHOVEN			
TOLERANCES UNLESS OTHERWISE SPECIFIED:		APVD 14JAN2014 A.VAN ZANDVOORT	NAME DISTR BOX M8 3POS 8WAY PNP		
		PRODUCT SPEC -	-		
MATERIAL		APPLICATION SPEC -	SIZE A3	CAGE CODE 00779	DRAWING NO C-2273143
FINISH		WEIGHT -	RESTRICTED TO -		
CUSTOMER DRAWING			SCALE NTS	SHEET 2 OF 2	REV A