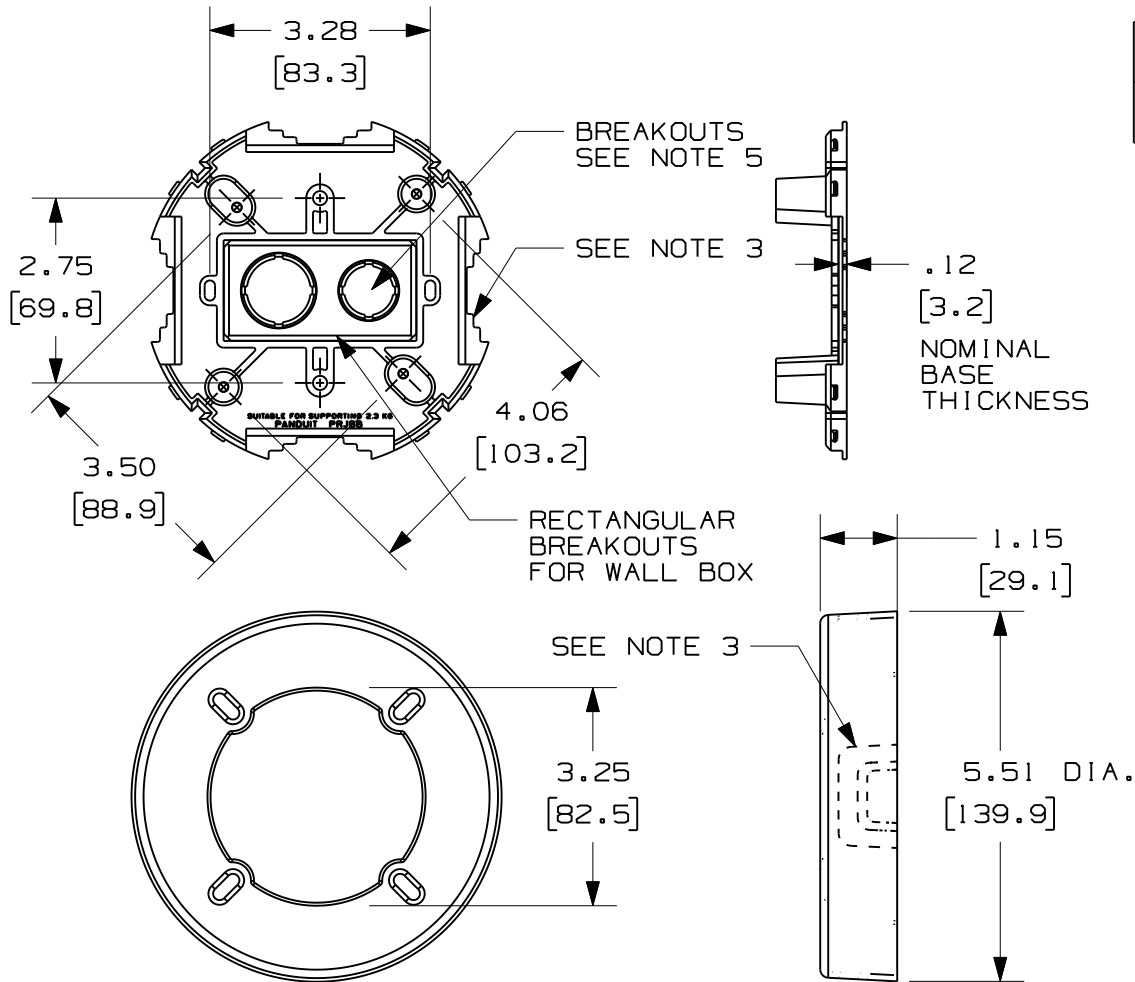


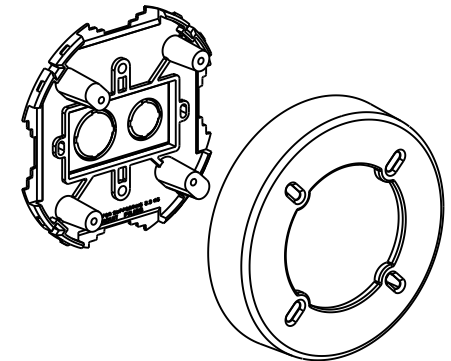
THIS COPY IS PROVIDED ON A RESTRICTED BASIS AND IS NOT TO BE USED IN ANY WAY DETRIMENTAL TO THE INTERESTS OF PANDUIT CORP.



PANDUIT PART NUMBER	WEIGHT	VOLUME CU. IN./CC
RJBX3510	0.26 LB/PC. (118g/PC.)	20.0 (327)

NOTES:

1. SEE CURRENT CATALOG FOR ADDITIONAL PART NUMBER SUFFIXES TO INDICATE COLOR AND OR PACKAGE QUANTITY.
2. THIS BOX IS INTENDED TO BE USED WITH LDS, LDPH AND LD RACEWAYS.
3. DIMENSIONS IN PARENTHESIS ARE METRIC.
4. BREAKOUTS TO ACCOMODATE CONDUIT SIZES OF 3/4" AND 1" DIAMETERS.



CAD FILENAME/LAYERS D37144BC_DC_RJBX3510_00C.prt

PANDUIT CORP. TINLEY PARK, ILLINOIS
ROUND JUNCTION BOX
 (RJBX3510)
 CUSTOMER DRAWING

UNLESS OTHERWISE SPECIFIED,
 DIMENSIONAL TOLERANCES ARE:
 (.X) ± (.XXX) ±
 (.XX) ±.03 (.8) ANGLES ±

UNLESS OTHERWISE SPECIFIED,
 ALL DIMENSIONS ARE GIVEN
 IN INCHES, THIRD ANGLE PROJECTION.

REV	DATE	BY	CHK	DESCRIPTION	ECN	R	CUST	SUP
2	12-11-09	BDK	RMH	B. REVISED AND REDRAWN	37144-04	RMH	RTF	
1	06-13-00	JHNU	HIW	A. REVISED MAT'L: ADDED PVC.	37144-04	HIW	HIW	
R	01-25-00	MSO	HIW	RELEASED TO PRODUCTION	37144-04	HIW	HIW	

DRAWN BY
MSO
 DATE
01-25-00
 CHK'D
HIW

MAT'L:
PVC



SCALE NONE
 DRAWING NO. 37144-04
 DWG SIZE A