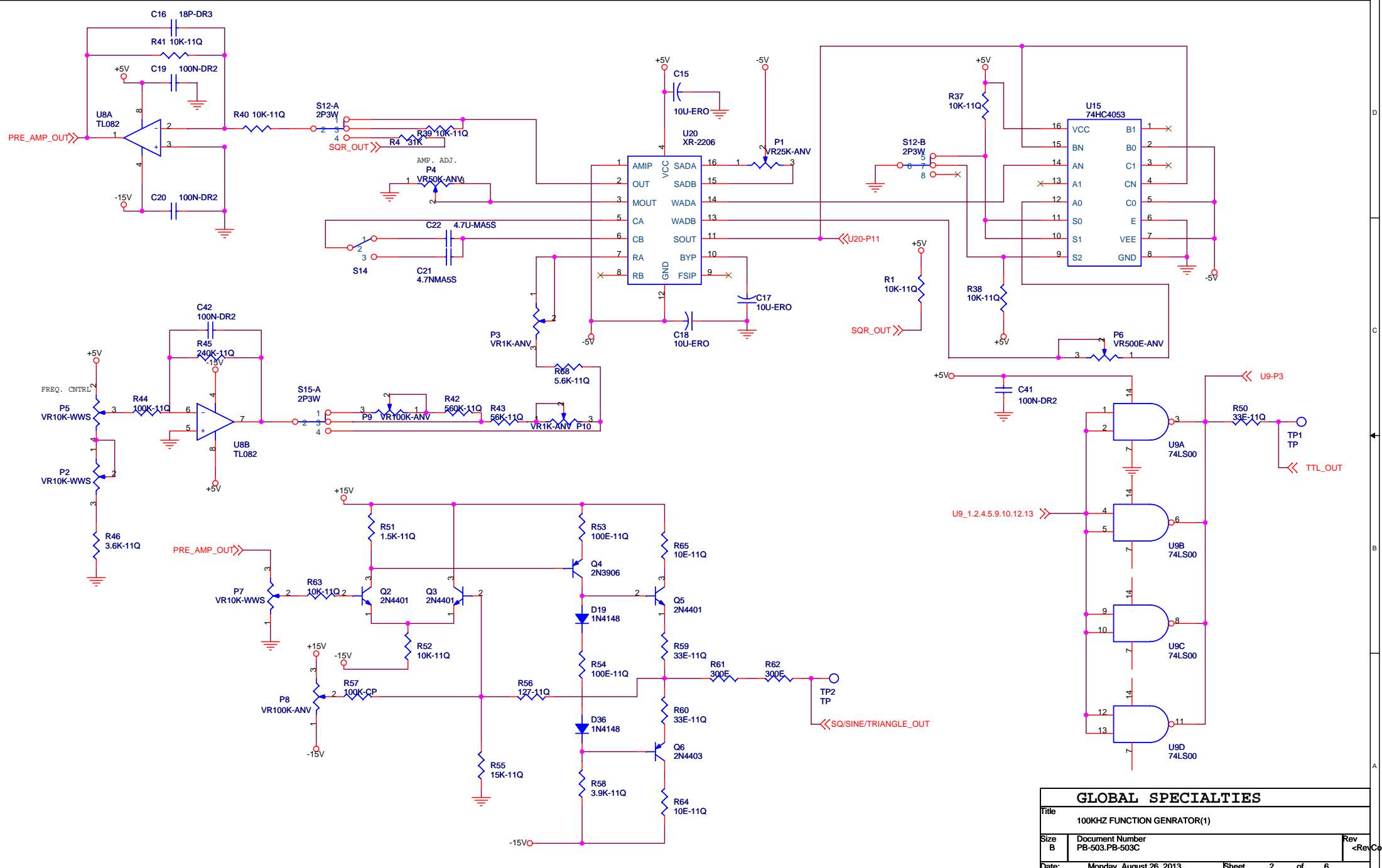
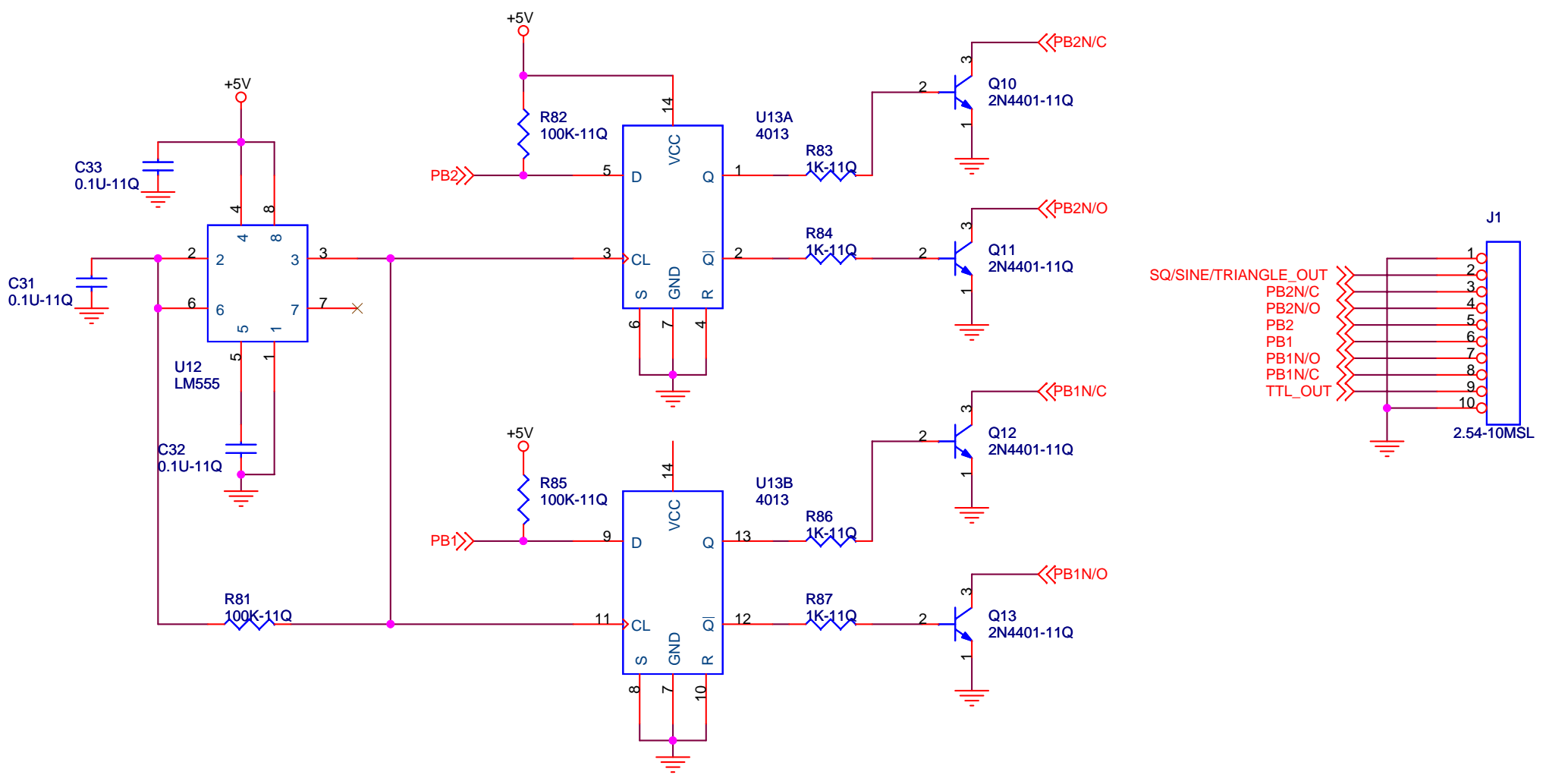


<b>GLOBAL SPECIALTIES</b>		
Title EXTERNAL POWER SUPPLY		
Size A	Document Number PB-503.PB-503C	Rev 1.0
Date:	Monday, August 26, 2013	Sheet 1 of 6



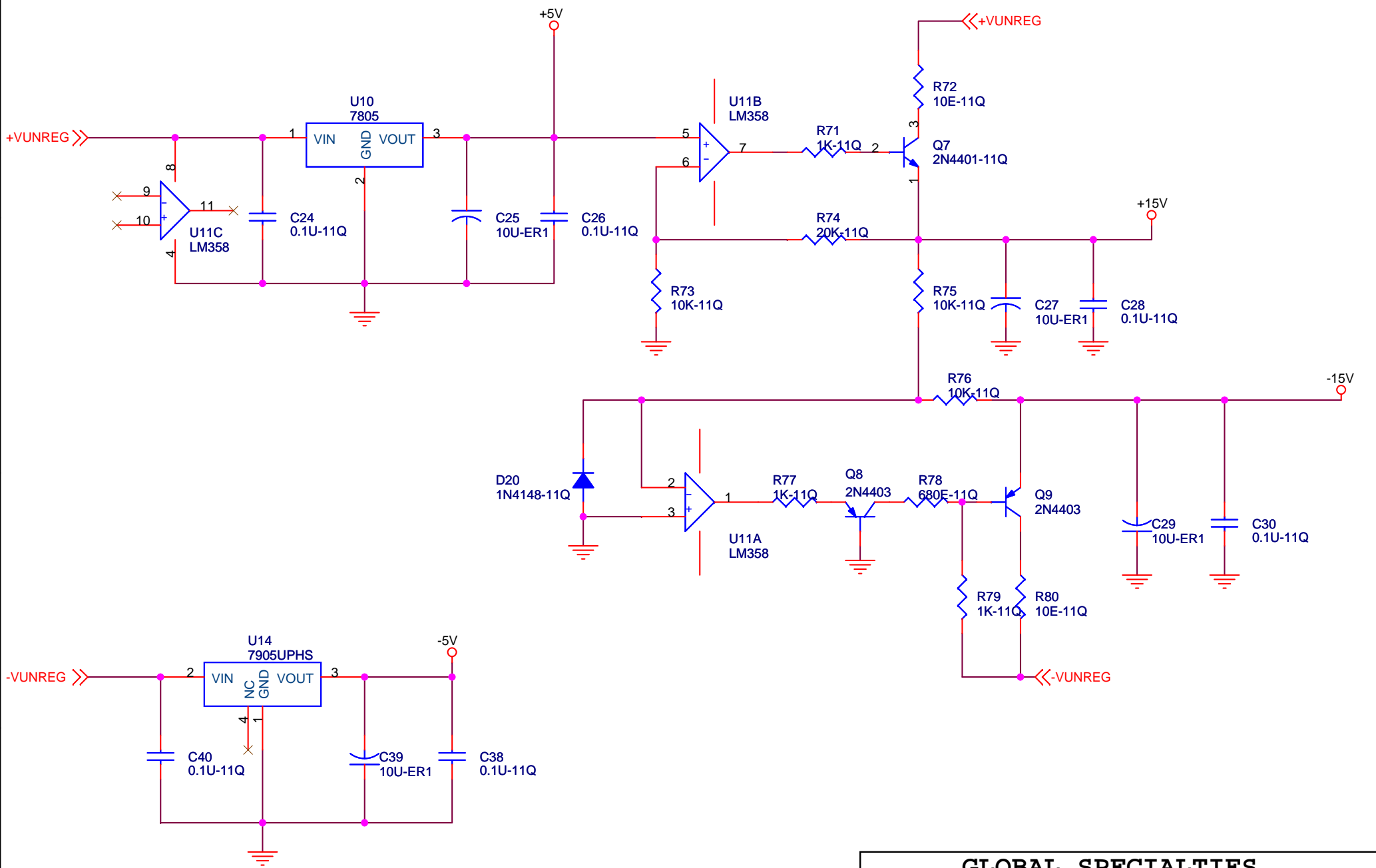
<b>GLOBAL SPECIALTIES</b>		
Title 100KHZ FUNCTION GENRATOR(1)		
Size B	Document Number PB-503.PB-503C	Rev <RevCode>
Date:	Monday, August 26, 2013	Sheet 2 of 6



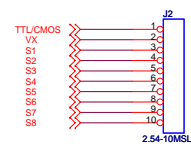
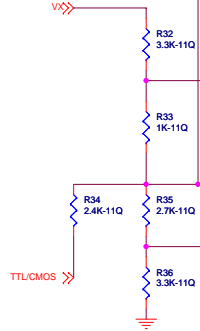
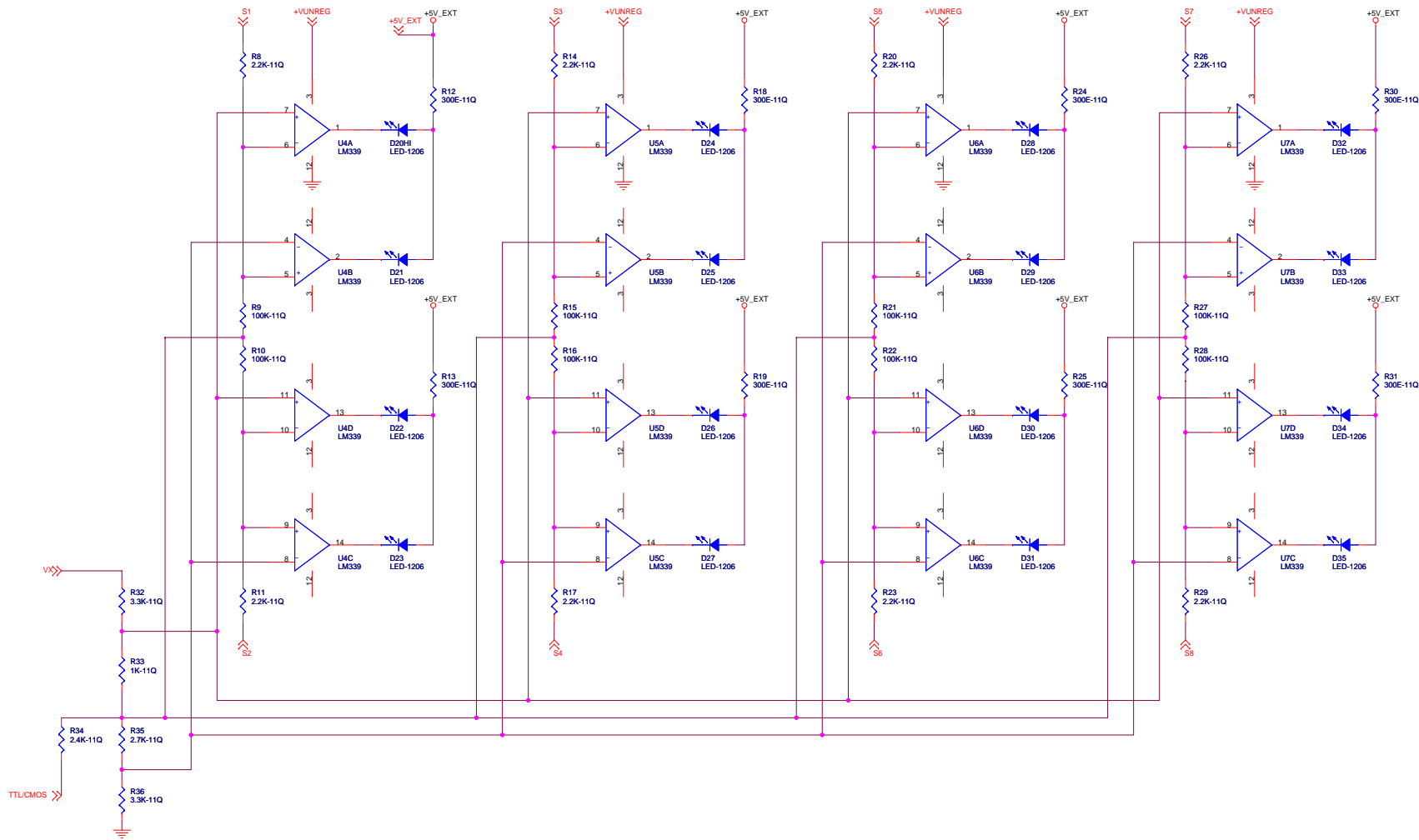
# GLOBAL SPECIALTIES

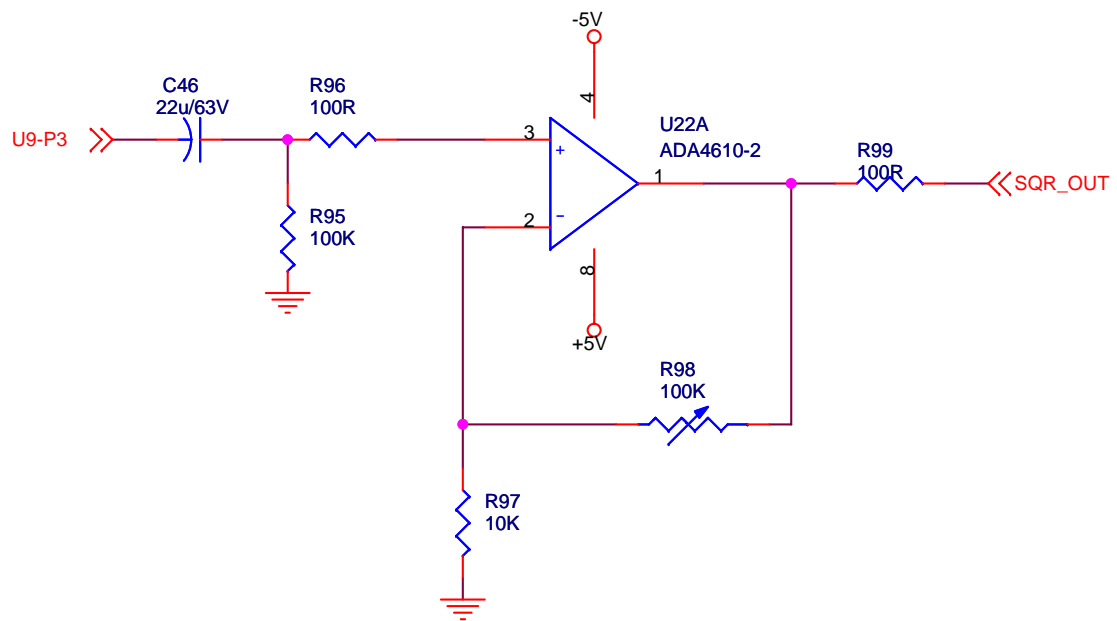
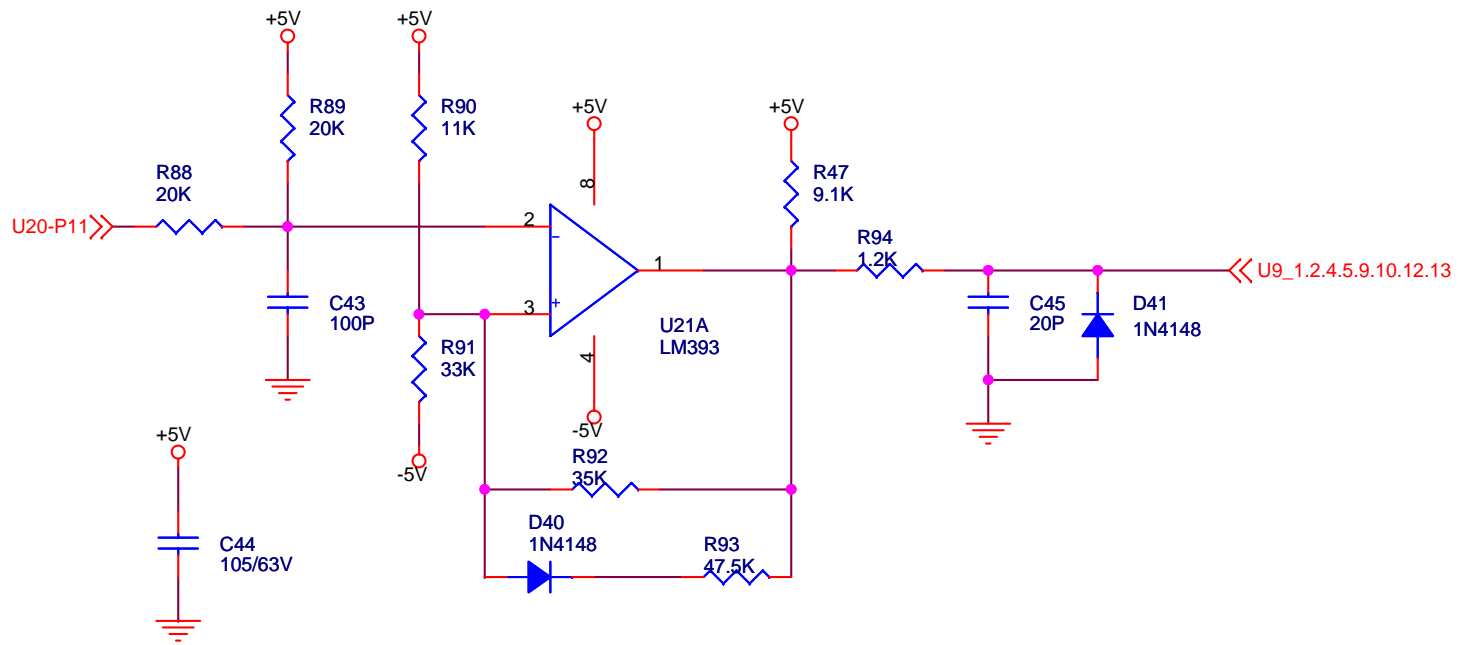
Title  
PUSH SW DEBOUNCE SECTION

Size A	Document Number PB-503.PB-503C	Rev <RevCode>
-----------	-----------------------------------	------------------



<b>GLOBAL SPECIALTIES</b>		
Title INTERNAL POWER SUPPLY		
Size A	Document Number PB-503.PB-503C	Rev <RevCode>
Date:	Monday, August 26, 2013	Sheet 4 of 6





<b>GLOBAL SPECIALTIES</b>		
Title 100KHZ FUNCTION GENRATOR(2)		
Size A	Document Number PB-503.PB-503C	Rev <RevCode>
Date:	Monday, October 28, 2013	Sheet 6 of 6