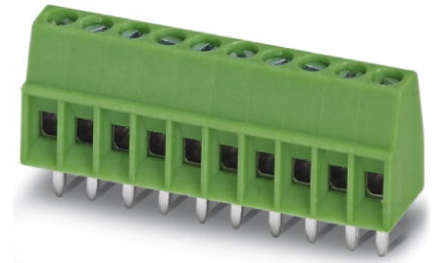


## MPT 0,5/ 6-2,54

Order No.: 1725698

The figure shows a 10-position version of the product

<http://eshop.phoenixcontact.de/phoenix/treeViewClick.do?UID=1725698>

PC terminal block, Nominal current: 6 A, Nom. voltage: 63 V,  
Pitch: 2.54 mm, Number of positions: 6, Type of connection: Screw  
connection, Assembly: Soldering, Conductor/PCB connection  
direction: 0 °, Color: green

### Commercial data

|                          |                   |
|--------------------------|-------------------|
| EAN                      | 4017918116293     |
| Pack                     | 50 pcs.           |
| Customs tariff           | 85369010          |
| Weight/Piece             | 0.001813 KG       |
| Catalog page information | Page 51 (CC-2009) |

### Product notes

WEEE/RoHS-compliant since:  
01/01/2003

<http://www.download.phoenixcontact.com>  
Please note that the data given here has been taken from the online catalog. For comprehensive information and data, please refer to the user documentation. The General Terms and Conditions of Use apply to Internet downloads.

### Technical data

#### Dimensions / positions

|             |         |
|-------------|---------|
| Length      | 6.2 mm  |
| Pitch       | 2.54 mm |
| Dimension a | 12.7 mm |

---

|                        |              |
|------------------------|--------------|
| Number of positions    | 6            |
| Pin dimensions         | 0,5 x 0,9 mm |
| Hole diameter          | 1.1 mm       |
| Screw thread           | M1,6         |
| Tightening torque, min | 0.12 Nm      |
| Tightening torque max  | 0.15 Nm      |

**Technical data**

|                                    |                     |
|------------------------------------|---------------------|
| Insulating material group          | I                   |
| Rated surge voltage (III/3)        | 1.5 kV              |
| Rated surge voltage (III/2)        | 1.5 kV              |
| Rated surge voltage (II/2)         | 2.5 kV              |
| Rated voltage (III/2)              | 160 V               |
| Rated voltage (II/2)               | 320 V               |
| Connection in acc. with standard   | EN-VDE              |
| Nominal current $I_N$              | 6 A                 |
| Nominal voltage $U_N$              | 63 V                |
| Nominal cross section              | 0.5 mm <sup>2</sup> |
| Maximum load current               | 6 A                 |
| Insulating material                | PA                  |
| Inflammability class acc. to UL 94 | V0                  |
| Stripping length                   | 4.5 mm              |

**Connection data**

|  |                      |
|--|----------------------|
| Conductor cross section solid min.   | 0.14 mm <sup>2</sup> |
| Conductor cross section solid max.   | 0.5 mm <sup>2</sup>  |
| Conductor cross section stranded min.                                      | 0.14 mm <sup>2</sup> |
| Conductor cross section stranded max.                                      | 0.5 mm <sup>2</sup>  |
| Conductor cross section stranded, with ferrule without plastic sleeve min. | 0.25 mm <sup>2</sup> |
| Conductor cross section stranded, with ferrule without plastic sleeve max. | 0.34 mm <sup>2</sup> |
| Conductor cross section stranded, with ferrule with plastic sleeve min.    | 0.25 mm <sup>2</sup> |
| Conductor cross section stranded, with ferrule with plastic sleeve max.    | 0.34 mm <sup>2</sup> |
| Conductor cross section AWG/kcmil min.                                     | 26                   |
| Conductor cross section AWG/kcmil max                                      | 20                   |

|   |                      |
|---|----------------------|
| 2 conductors with same cross section, solid min.    | 0.14 mm <sup>2</sup> |
| 2 conductors with same cross section, solid max.    | 0.34 mm <sup>2</sup> |
| 2 conductors with same cross section, stranded min. | 0.14 mm <sup>2</sup> |
| 2 conductors with same cross section, stranded max. | 0.34 mm <sup>2</sup> |

**Certificates / Approvals**



Certification CSA, CUL, UL

**CSA**

|                                |       |
|--------------------------------|-------|
| Nominal voltage U <sub>N</sub> | 125 V |
| Nominal current I <sub>N</sub> | 6 A   |
| AWG/kcmil                      | 28-20 |

**CUL**

|                                |       |
|--------------------------------|-------|
| Nominal voltage U <sub>N</sub> | 125 V |
| Nominal current I <sub>N</sub> | 6 A   |
| AWG/kcmil                      | 30-20 |

**UL**

|                                |       |
|--------------------------------|-------|
| Nominal voltage U <sub>N</sub> | 125 V |
| Nominal current I <sub>N</sub> | 6 A   |
| AWG/kcmil                      | 30-20 |

**Accessories**

| Item | Designation | Description |
|------|-------------|-------------|
|------|-------------|-------------|

**Marking**

|         |                          |  |
|---------|--------------------------|--|
| 0804853 | SK 2,54/2,8:FORTL.ZAHLEN | Marker card, printed horizontally, self-adhesive, 10-section marker strip, 14 identical decades marked 1-10, 11-20 etc. up to 91-100, sufficient for 140 terminal blocks |
|---------|--------------------------|--|

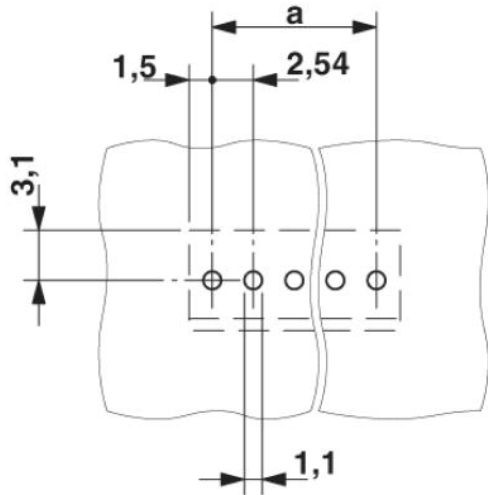
**Tools**

|         |             |   |
|---------|-------------|---|
| 1205202 | SZS 0,4X2,0 | Screwdriver, bladed, matches all screw terminal blocks up to 1.5 mm <sup>2</sup> connection cross section, blade width: 2.5 mm, without approvals |
|---------|-------------|---|

### Diagrams/Drawings

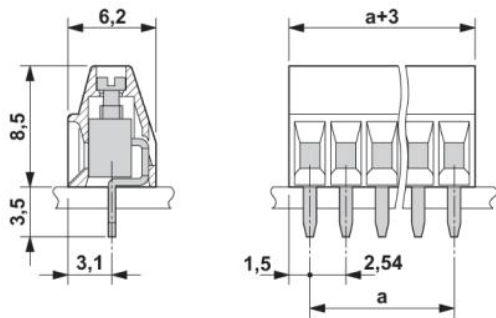
Drilling plan/solder pad geometry

---



Dimensioned drawing

---



**Address**

PHOENIX CONTACT Deutschland GmbH  
Flachmarktstr. 8  
32825 Blomberg, Germany  
Phone +49 5235 3 12000  
Fax +49 5235 3 41200  
<http://www.phoenixcontact.de>



© 2010 Phoenix Contact  
Technical modifications reserved;