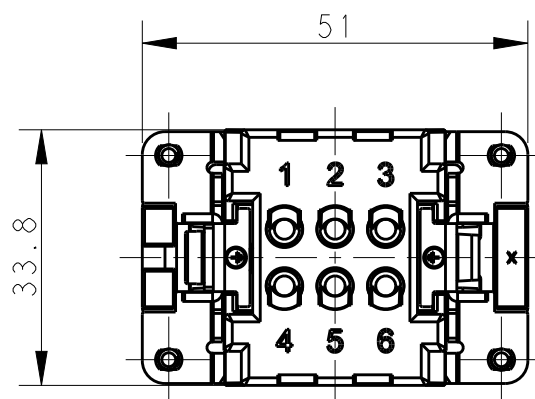
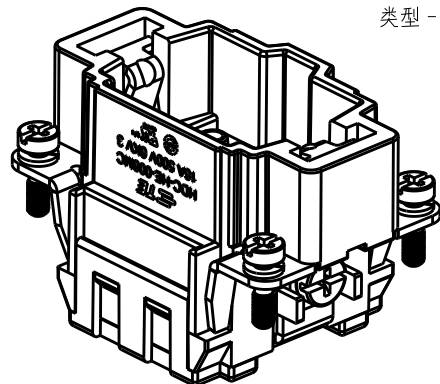


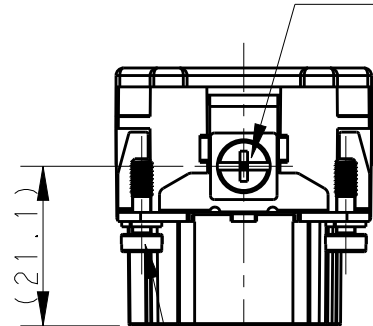
REVISIONS

P	LTR	DESCRIPTION	DATE	DWN	APVD
A		INITIAL RELEASE	16APR2015	GY	CW
B		ECR-15-013759	12OCT2015	DW	CW
B1		ECR-16-015492	16NOV2016	QY	CW

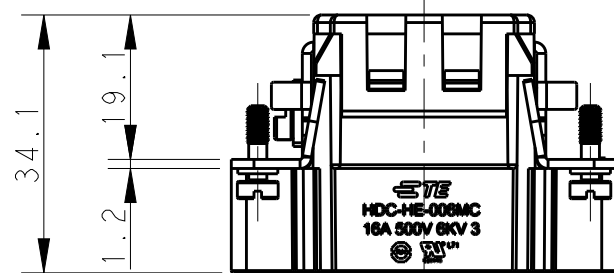
TYPE-1, T2040064101-000, TE LOGO  
类型-1, T2040064101-000, TE LOGO



M4 SCREW, RECOMMENDED  
TIGHTENING TORQUE 1.2Nm  
M4螺丝, 推荐锁紧力矩 1.2Nm



4X M3 SCREW, RECOMMENDED  
TIGHTENING TORQUE 0.5Nm  
4X M3螺丝, 推荐锁紧力矩 0.5Nm

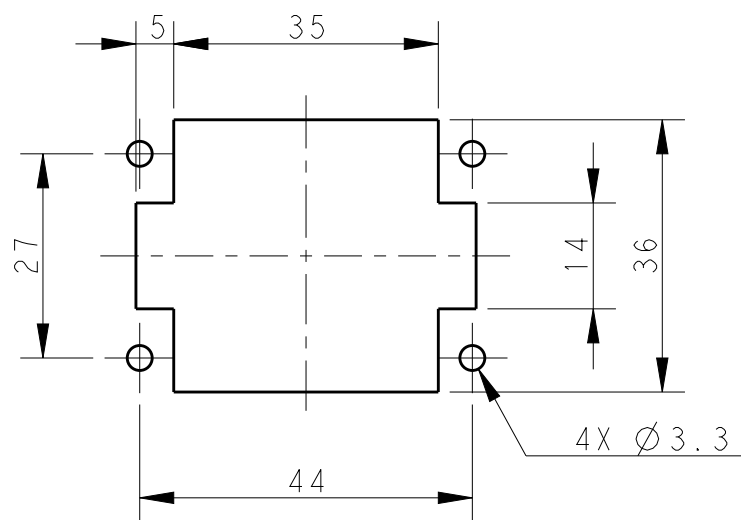
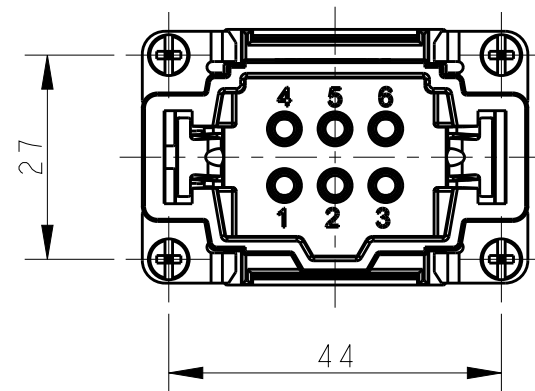


NOTES:


- TECHNICAL CHARACTERISTICS:  
INSULATION MATERIAL: PC  
RATED VOLTAGE: 500V  
RATED CURRENT: 16A  
INSULATION RESISTANCE:  $\geq 400M\Omega$   
RATED IMPULSE VOLTAGE: 6KV  
POLLUTION DEGREE: 3  
FLAMMABILITY: UL94V-0  
MATING CYCLES: 500 CYCLES  
WIRE RANGE:  $0.14mm^2 \sim 4mm^2$  (AWG26-AWG12)  
CONTACT TYPE: CRIMP CONTACT
- CONTACTS NEED TO BE ORDERED SEPARATELY.  
(ORDER No. REFER TO DRAWING: T20300X10XX000)

注释:

- 技术参数:  
绝缘材料: PC  
额定电压: 500V  
额定电流: 16A  
绝缘电阻:  $\geq 400M\Omega$   
脉冲电压: 6KV  
污染等级: 3  
阻燃等级: UL94V-0  
插拔次数: 500次  
接线范围:  $0.14mm^2 \sim 4mm^2$  (AWG26-AWG12)  
接线类型: 冷压接
- 端子需要单独订购。  
(订货号参考图面: T20300X10XX000)



PANEL CUT FOR INSERTS FOR USING  
WITHOUT HOODS/ HOUSINGS  
不使用防护外壳时芯件的安装开孔图

THIS DRAWING IS A CONTROLLED DOCUMENT.		DWN	Gino.Yao	05APR2015	 TE Connectivity												
		CHK	Chris.Wang	05APR2015													
		APVD	Xiang.Xu	05APR2015													
		PRODUCT SPEC	108-137044														
DIMENSIONS: mm		TOLERANCES UNLESS OTHERWISE SPECIFIED:		NAME HE-006-MC													
<table border="0"> <tr><td>0 PLC</td><td>±-</td></tr> <tr><td>1 PLC</td><td>±-</td></tr> <tr><td>2 PLC</td><td>±-</td></tr> <tr><td>3 PLC</td><td>±-</td></tr> <tr><td>4 PLC</td><td>±-</td></tr> <tr><td>ANGLES</td><td>±-</td></tr> </table>		0 PLC	±-	1 PLC	±-	2 PLC	±-	3 PLC	±-	4 PLC	±-	ANGLES	±-	APPLICATION SPEC		SIZE	
0 PLC	±-																
1 PLC	±-																
2 PLC	±-																
3 PLC	±-																
4 PLC	±-																
ANGLES	±-																
MATERIAL		FINISH		CAGE CODE													
-		-		A300779													
-		-		DRAWING NO													
		Customer Drawing		C-T2040064101000													
		WEIGHT		RESTRICTED TO													
		-		-													
				SCALE													
				1:1													
				SHEET													
				1 OF 2													
				REV													
				B1													

THIS DRAWING IS UNPUBLISHED.

RELEASED FOR PUBLICATION

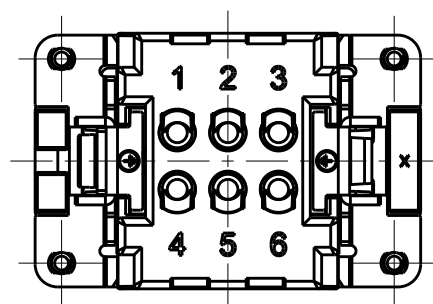
20

© COPYRIGHT 20 BY -

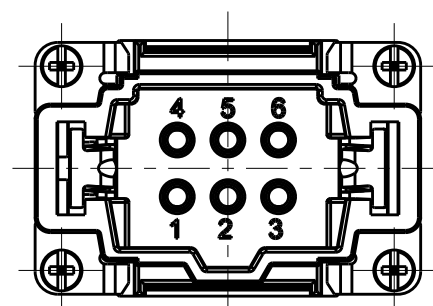
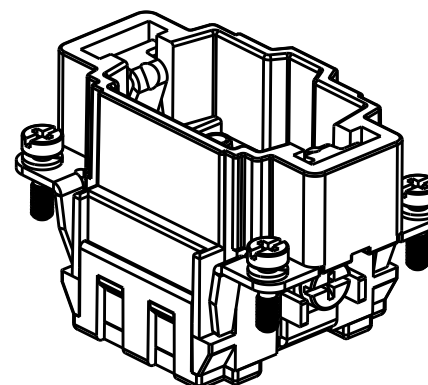
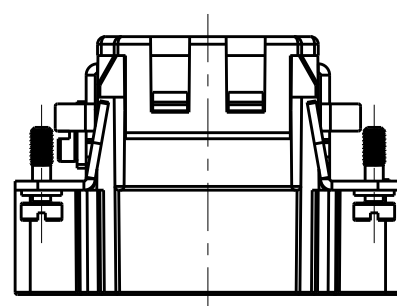
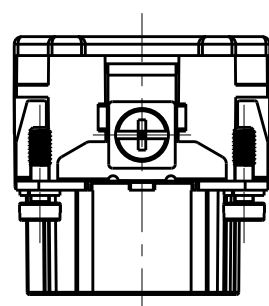
ALL RIGHTS RESERVED.

REVISIONS

P	LTR	DESCRIPTION	DATE	DWN	APVD
-		SEE SHEET 1	-	-	-



NOTE:  
SEE SHEET 1  
注释:  
见页 1



TYPE-2, T2040064101-001, STAINLESS STEEL SCREW, NO LOGO  
类型-2, T2040064101-001, 不锈钢螺丝, 无LOGO

ALL SPEC DIMENSION REFER TO TYPE 1  
所有产品规格尺寸参照 TYPE 1

T2040064101-001	HE-006-MC	HE-006 MALE INSERT, CRIMPING, STAINLESS STEEL SCREW, NO LOGO HE-006公插, 冷压针, 不锈钢螺丝, 无LOGO	TYPE-2 类型-2
T2040064101-000	HE-006-MC	HE-006 MALE INSERT, CRIMPING HE-006公插, 冷压针	TYPE-1 类型-1
PART NUMBER 料号	PART DESCRIPTION 描述		TYPE 类型

THIS DRAWING IS A CONTROLLED DOCUMENT.		DWN Gino.Yao 05APR2015		
DIMENSIONS: mm		CHK Chris.Wang 05APR2015		
TOLERANCES UNLESS OTHERWISE SPECIFIED:		APVD Xiang.Xu 05APR2015	NAME HE-006-MC	
0 PLC ±-		PRODUCT SPEC 108-137044	SIZE A3	
1 PLC ±-		APPLICATION SPEC 114-137044	CAGE CODE 00779	DRAWING NO T2040064101000
2 PLC ±-		WEIGHT -	RESTRICTED TO -	
3 PLC ±-		Customer Drawing	SCALE 1:1	
4 PLC ±-			SHEET 2 OF 2	
ANGLES ±-		REV B1		
FINISH -				