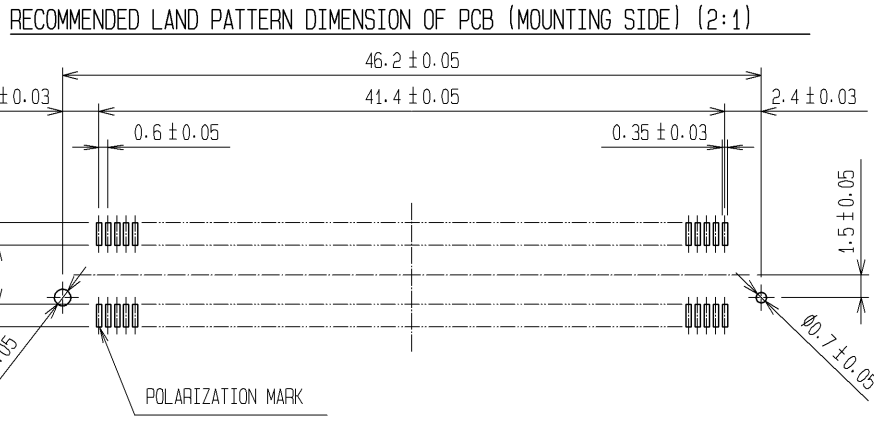
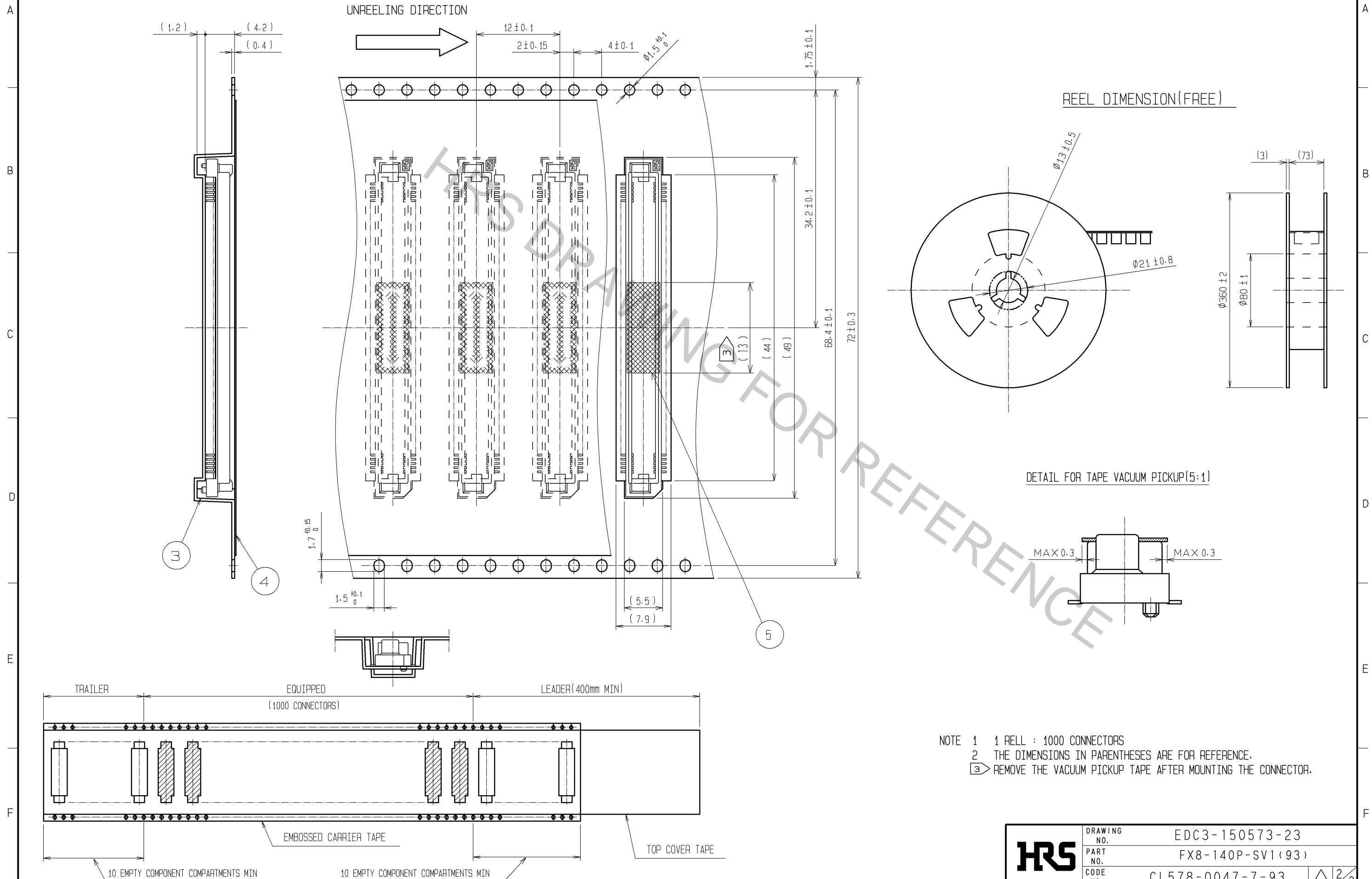


- NOTE 1. LEAD CO-PLANARITY SHALL BE 0.1mm MAX.
 2. EMBOSSED CARRIER TAPE PACKAGING SHALL BE APPLIED TO THIS PRODUCT. SEE NEXT PAGE FOR DETAILS.
 3. THIS PRODUCT HAS TAPE FOR VACUUM PICKUP. SEE NEXT PAGE FOR DETAIL OF STICKING POSITION, ETC.
 4. FOR MODIFICATION, ETC. PREVENTIVE HOLE FOR SINK MARK MAY BE ADDED ACCORDING TO CIRCUMSTANCES.
 5. THE DIMENSIONS IN PARENTHESES ARE FOR REFERENCE.



2	PHOSPHOR BRONZE	CONTACT AREA: GOLD 0.1µm min.	5	POLYIMIDE	(TAPE FOR VACUUM PICKUP)			
		LEAD AREA: TIN-PLATING 1µm min.	4	POLYESTER	(TOP COVER TAPE)			
1	PPS	UNDER PLATING: NICKEL 1µm min.	3	POLYSTYRENE	(EMBOSSED CARRIER TAPE)			
		LIGHT BROWN (UL94V-0)						
NO.	MATERIAL	FINISH . REMARKS	NO.	MATERIAL	FINISH . REMARKS			
UNITS	mm	SCALE	5 : 1	COUNT	DESCRIPTION OF REVISIONS	DESIGNED	CHECKED	DATE
HRS HIROSE ELECTRIC CO., LTD.		APPROVED : HS. OKAWA	07. 10. 05	DRAWING NO. EDC3-150573-23				
		CHECED : HS. OZAWA	07. 10. 05	PART NO. FX8-140P-SV1(93)				
		DESIGNED : KY. NAKAMURA	07. 10. 05	CODE NO. CL578-0047-7-93				
		DRAWN : KY. NAKAMURA	07. 10. 05					

EMBOSSED CARRIER TAPE DIMENSION (2:1)



NOTE 1 1 REEL : 1000 CONNECTORS
 2 THE DIMENSIONS IN PARENTHESES ARE FOR REFERENCE.
 3 REMOVE THE VACUUM PICKUP TAPE AFTER MOUNTING THE CONNECTOR.

HRS	DRAWING NO.	EDC3-150573-23
	PART NO.	FX8-140P-SV1(93)
	CODE NO.	CL578-0047-7-93
		\triangle 2/2