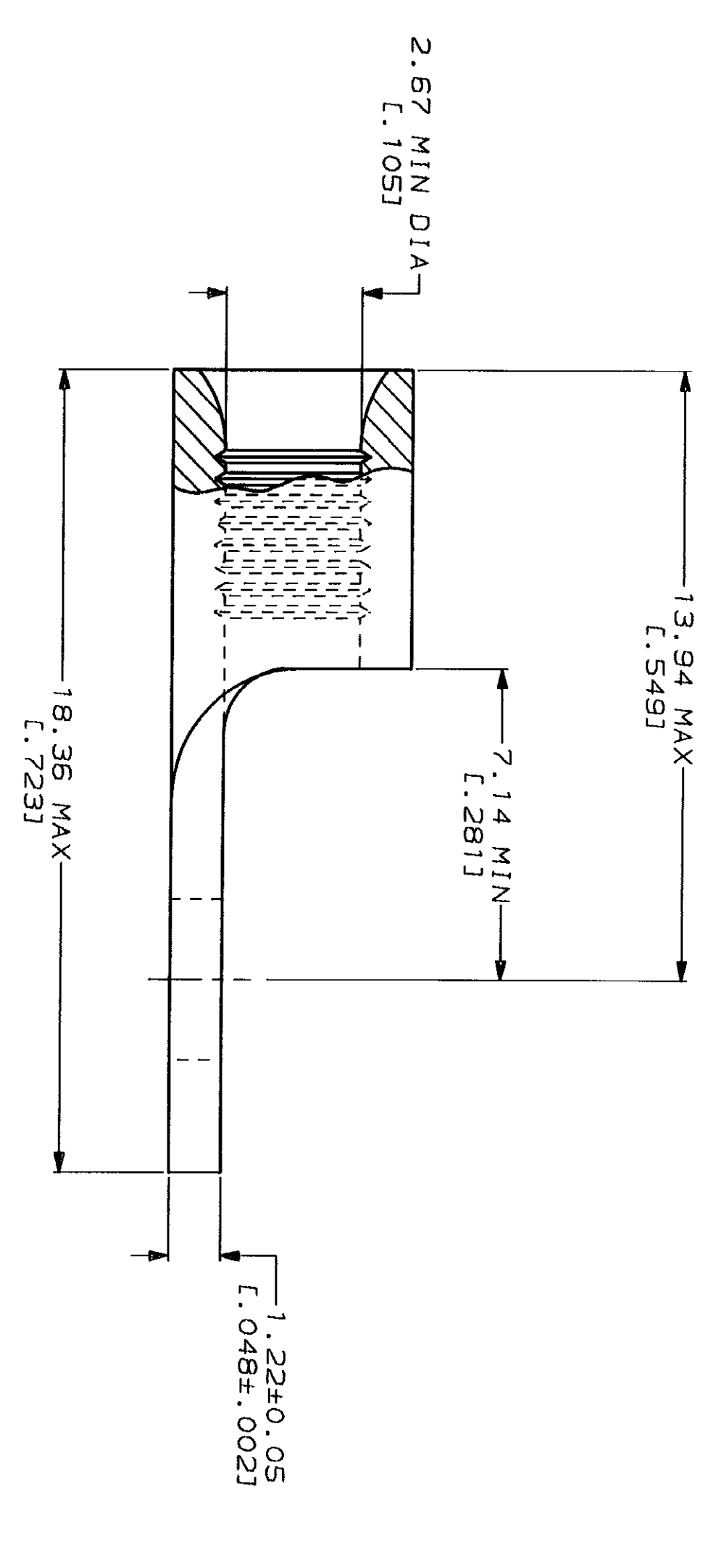


<b>AMP</b> WIRE RANGE	<b>UL</b> E13288 Listed
16-14HD AWG SOLID OR STRANDED	16-14HD AWG STRANDED
<b>LR7189</b> Certified	MILITARY P/N AND CLASS
16-14HD AWG SOLID OR STRANDED	NOT APPLICABLE

△ STAMP AMP 16-14HD\* APPROX AS SHOWN



**AMP INCORPORATED**  
**CUSTOMER SERVICE SYSTEMS**

FOR ADDITIONAL PRODUCT INFORMATION OR COPIES OF DRAWINGS AND TECHNICAL DOCUMENTS	PRODUCT INFORMATION CENTER 1-800-522-6752
FOR APPLICATION TOOLING INFORMATION	TOOLING ASSISTANCE CENTER 1-800-722-1111
FOR ORDER ENTRY	1-800-526-5142

MAX RECOMMENDED OPERATING TEMPERATURE:	170°C MAX
VOLTAGE RATING:	NOT APPLICABLE
WIRE CROSS SECTIONAL AREA RANGE: SOLID OR STRANDED	1.04-2.62mm <sup>2</sup> [2.050-5.180] CIR MILS

DO NOT SCALE PRINT. UNLESS SPECIFIED DIMENSIONS IN mm - ENGNESS - TOLERANCES ON: 2 PLG DEC ± 3 PLG DEC ± ANGLES	FINISH TIN PLATE 0.00254 [L.000100] MIN THK PER MIL - T-10727
---	--

DR 3-17-93 GL KRUBER	CHK 3-17-93 DA PATTERSON
APPD 3-17-93 DE MILLER	APPD 3-17-93 JL MECKLEY
PRODUCT SPEC	APPLICATION SPEC
WEIGHT	

NAME	AMP Incorporated Harrisburg, PA 17105-3608
QUANTITY	100 2500
PACKAGING TYPE	LOOSE PIECE, BOX ON TAPE
PART NO	8-34567-1 2-34567-1 34567

**AMP**  
 TERMINAL, RING TONGUE,  
 HEAVY DUTY, SOLISTRAND™

SIZE	CAGE CODE	DRAWING NO
SCALE	00779	G-34567
SCALE	8:1	SHEET