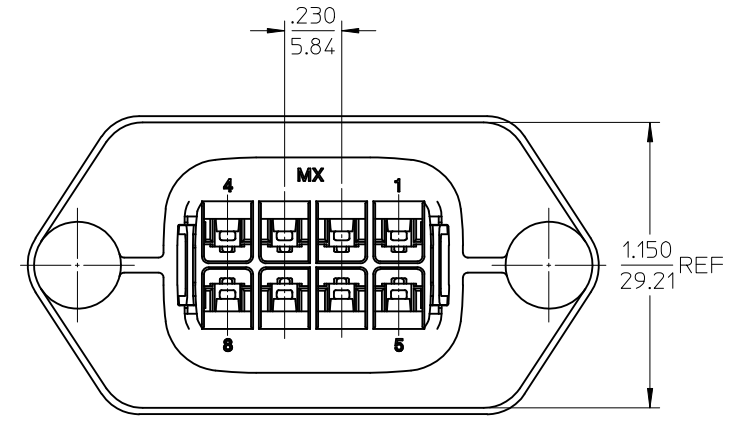
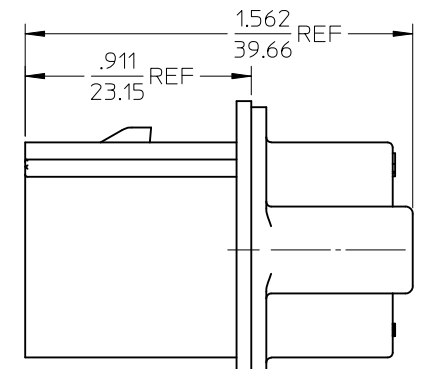
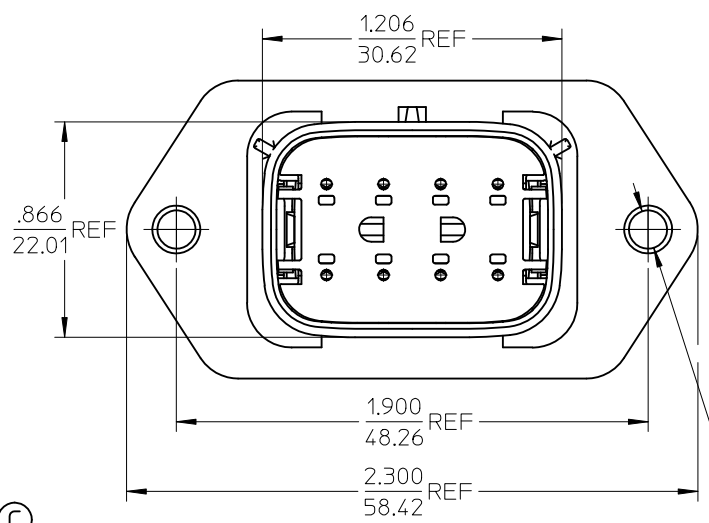


SCALE 1:1



©

- NOTES:
1. MATERIALS:
HOUSING: POLYESTER (PBT), GLASS FILLED, UL94 V-0,COLOR: BLACK
GASKET: EPDM RUBBER
 2. PRODUCT SPECIFICATION: PS-19417-001.
 3. PACKAGING SPECIFICATION: PK-19429-001.
GASKETS, IF REQUIRED FOR THE ASSEMBLIES,ARE BULK PACKAGED IN A SEPARATE BAG.
 4. MATES WITH: 19418 SERIES RECEPTACLE ASSEMBLIES.
 5. USE CONNECTOR WITH MALE CRIMP TERMINAL: SERIES 19417.
 6. RECOMMENDED MOUNTING HARDWARE: (2)H10 X .62/15.8 LONG PLASTIC THREAD CUTTING SCREWS, RECOMMENDED TORQUE 15-17 IN-LBS. SUGGESTED SOURCE: ITW SHAKEPROOF INDUSTRIAL BOSSCREW OR EQUIVALENT.
 7. ASSEMBLY IS ROHS COMPLIANT.

REV	DESCRIPTION
1	EC NO: IPG2012-0161 IDRMN:WLEUNG 2012/02/10 CHKD: CHKD: APPR: DTITUS 2012/02/28

QUALITY SYMBOLS
▽ -0
▽ -0

GENERAL TOLERANCES (UNLESS SPECIFIED)	
	mm INCH
4 PLACES	± --- ± ---
3 PLACES	± --- ± .015
2 PLACES	± 0.38 ± ---
1 PLACE	± --- ± ---
ANGULAR ± 1 °	
DRAFT WHERE APPLICABLE	
MUST REMAIN WITHIN DIMENSIONS	

SCALE 2:1	DESIGN UNITS INCH
DIMENSION STYLE IN/MM	
DRAWN BY DMYRICK	DATE 03/12/08
CHECKED BY JPAWLICK	DATE 03/12/08
APPROVED BY DTITUS	DATE 2010/10/18

194290037	YES
194290011	NO
MATERIAL NUMBER	GASKET

THIRD ANGLE PROJECTION REVISE ON CAD ONLY

TITLE
8 WAY PLUG PANEL MOUNT ASSEMBLY 22-14 AWG

MOLEX INCORPORATED

MATERIAL NO. SEE CHART	DOCUMENT NO. SD-19429-006	SHEET NO. 1 OF 1
------------------------	---------------------------	------------------

THIS DRAWING CONTAINS INFORMATION THAT IS PROPRIETARY TO MOLEX INCORPORATED AND SHOULD NOT BE USED WITHOUT WRITTEN PERMISSION