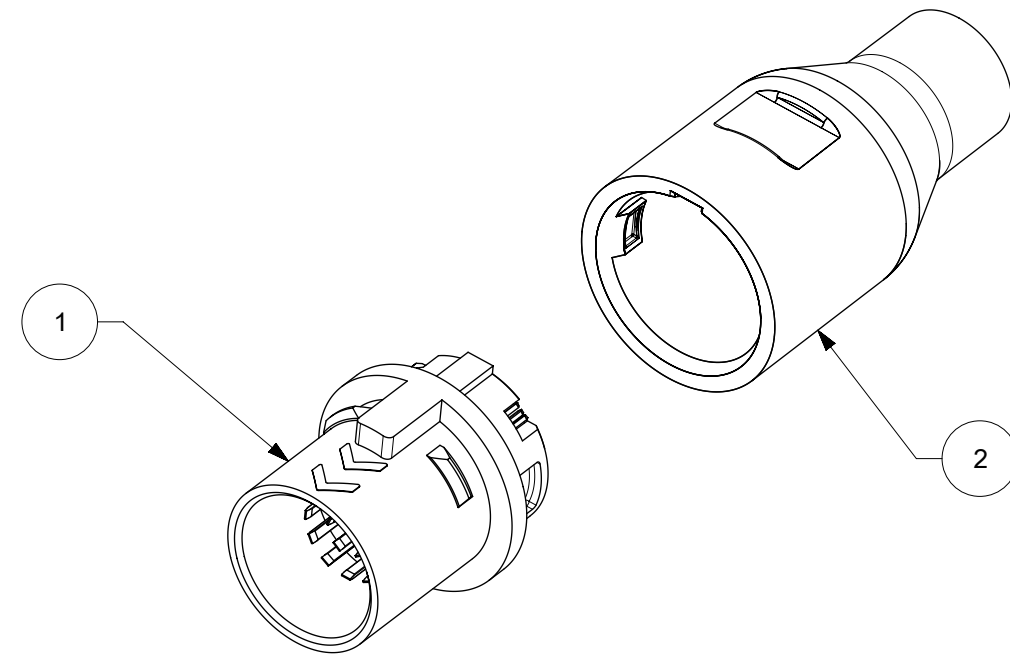


ITEM NUMBER	P/N	DESCRIPTION	QTY	SPQ
1	1723555500	MPC D2 MALE DISPOSABLE HOUSING 17 CKT W/ PAD PRINT	1	10
2	1723578017	MPC D2 MALE DISPOSABLE BOOT 6.8mm MAX CABLE OD	1	10



NOTES:

1. KIT TO BE PACKAGED PER SPEC PK-70873-3344
2. MATERIAL, MEDICAL GRADE LEXAN; COLOR, BLACK
3. MATES WITH KIT P/N 202110-1710, 202111-1710 OR 202400-1710.
4. FOR ASSEMBLY INFORMATION SEE APPLICATION SPEC AS-202110-0000.
5. FOR FURTHER PRODUCT INFORMATION SEE PRODUCT SPEC PS-202110-0000

THIS DRAWING CONTAINS INFORMATION THAT IS PROPRIETARY TO MOLEX ELECTRONIC TECHNOLOGIES, LLC AND SHOULD NOT BE USED WITHOUT WRITTEN PERMISSION											
QUALITY SYMBOLS	EC NO: 114560	DRWN: JJONIAK	CHKD: BPI SZCZOR	APPR: BPI SZCZOR	REV: A	GENERAL TOLERANCES (UNLESS SPECIFIED)		DIMENSION UNITS	SCALE		
						ANGULAR TOL ± °		MM	2:1		
▽ = 0	2017/03/15	2017/03/17	4 PLACES ±	DRWN BY	DATE	JJONIAK 2017/03/15		MPC D2 MALE 17CKT DISPOSABLE ASSY KIT			
▽ = 0			3 PLACES ±	CHK'D BY	DATE						
▽ = 0			2 PLACES ±	APPR BY	DATE	BPI SZCZOR 2017/03/17		PRODUCT CUSTOMER DRAWING			
▽ = 0			1 PLACE ±	DRAWING SIZE	THIRD ANGLE PROJECTION	SERIES	MATERIAL NUMBER	CUSTOMER			
▽ = 0			0 PLACES ±	B		202113	2021131710				
▽ = 0			DRAFT WHERE APPLICABLE MUST REMAIN WITHIN DIMENSIONS			DOCUMENT NUMBER	DOC TYPE	DOC PART	SHEET NUMBER		
						2021131730-SD	PSD	000	1 OF 1		