

5

4

3

2

1

D

D

C

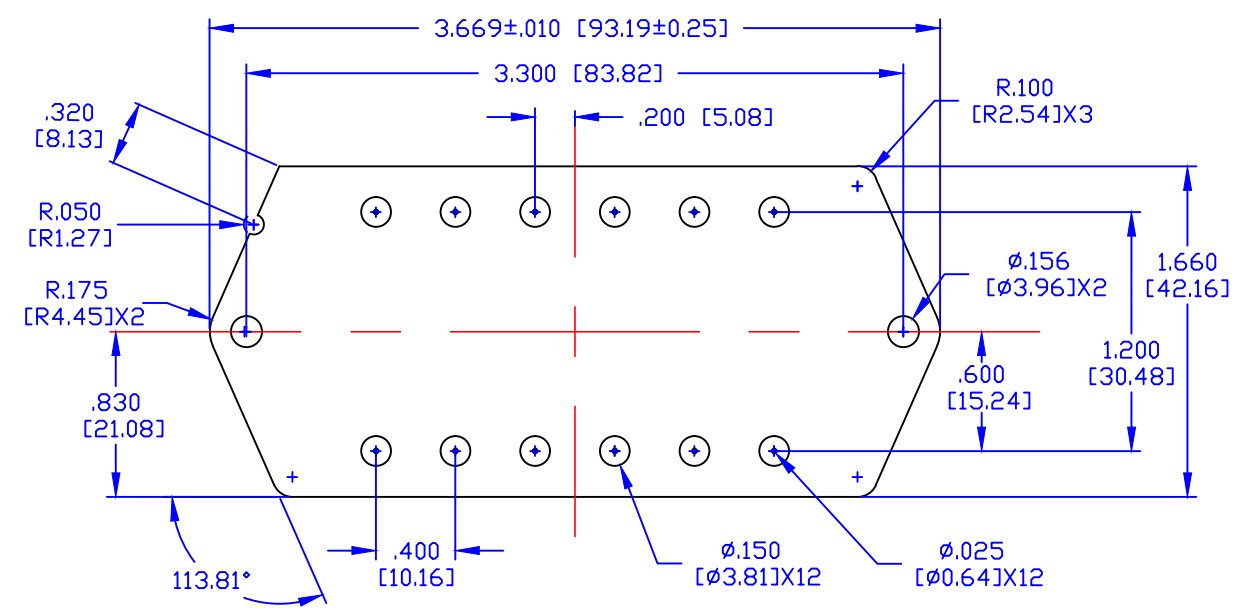
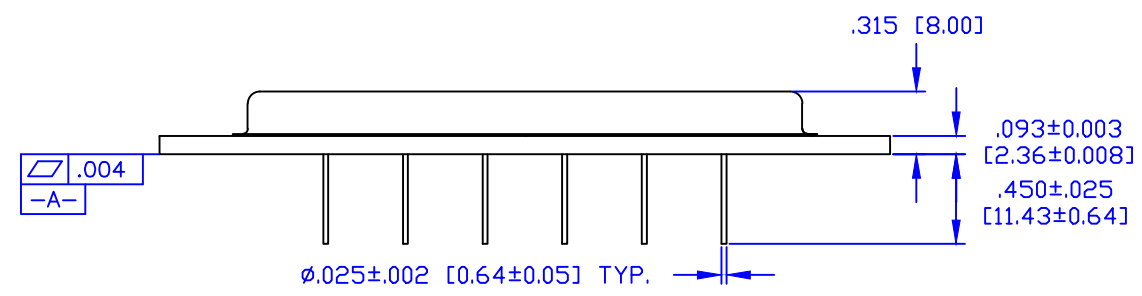
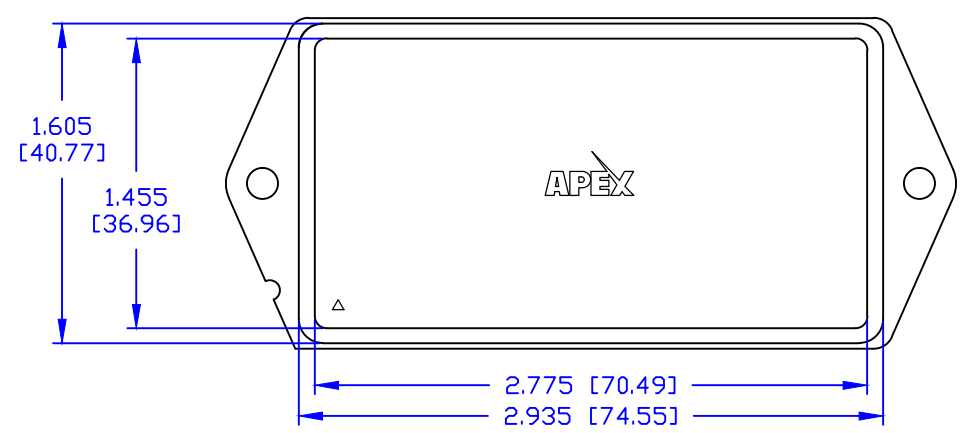
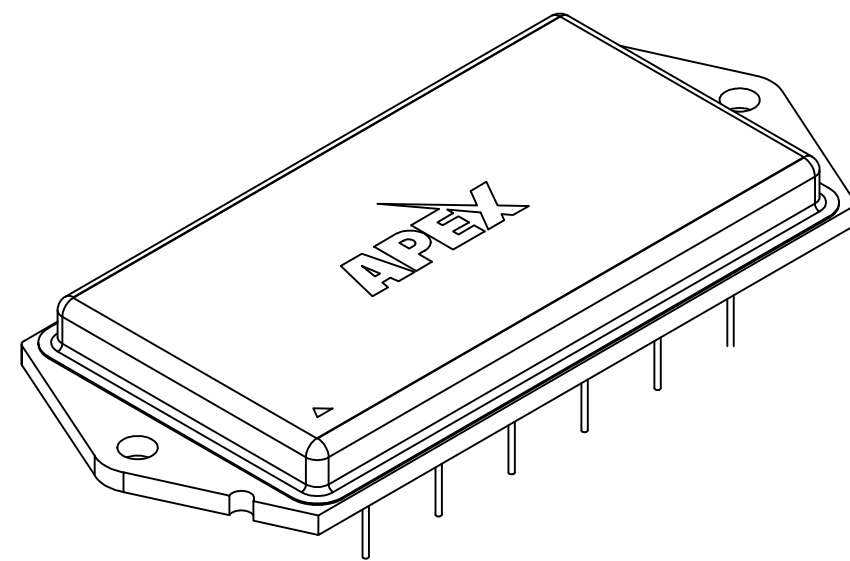
C

B

B


A

A



**NOTES:**

1. Dimensions are in inches & [mm].
2. Triangle on lid and notch in header denote pin 1.
3. Header material: Nickel-plated CRS
4. Lid material: Solid nickel
5. Pin material: Solderable nickel-plated Alloy 52
6. Welded hermetic package seal
7. Isolation: 2500 VDC any pin to case
8. Package weight: 90g

TOLERANCES - UNLESS OTHERWISE SPECIFIED .XX = ±.01 [.254] .XXX = ±.005 [.127] ANG. = ±5°		TITLE: 12- Pin Power Dip, High Voltage				MODEL: CW	
		SUBJECT: MECHANICAL DRAWING					
ENGINEER: AV	DRAWN BY: J.FAY	DCA: 15332	SH. 1	OF 1	FILENAME: CW.dwg	REV: A	DATE: 24SEP15

5

4

3

2

1