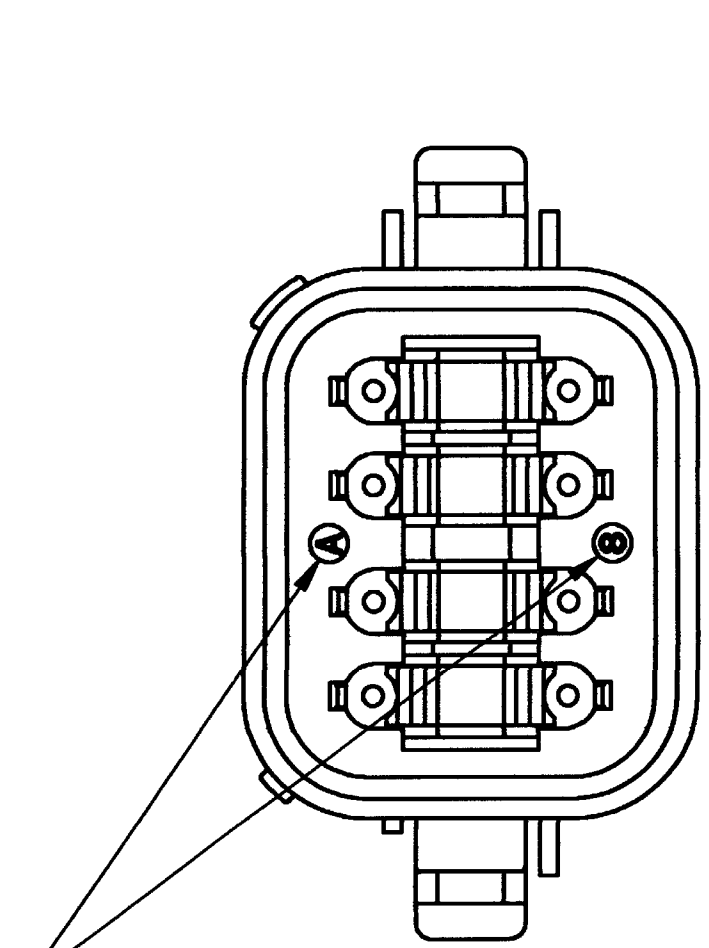
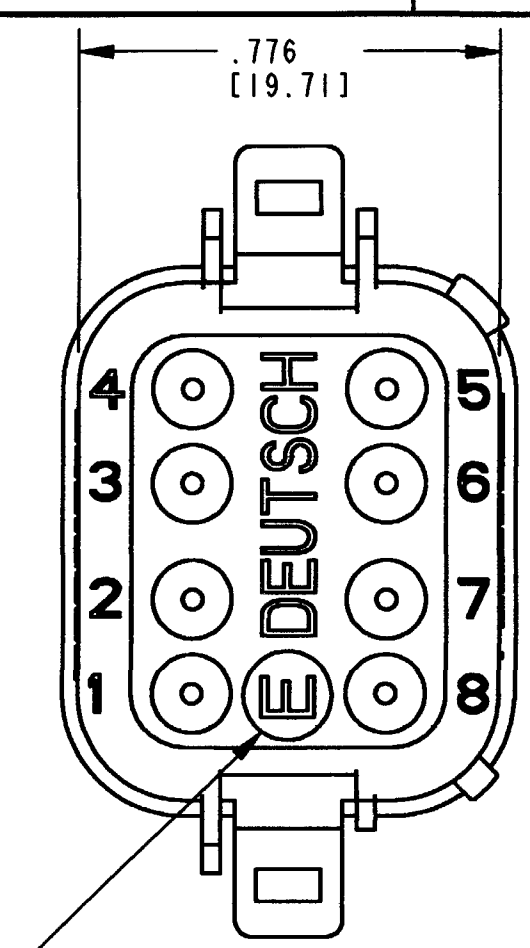
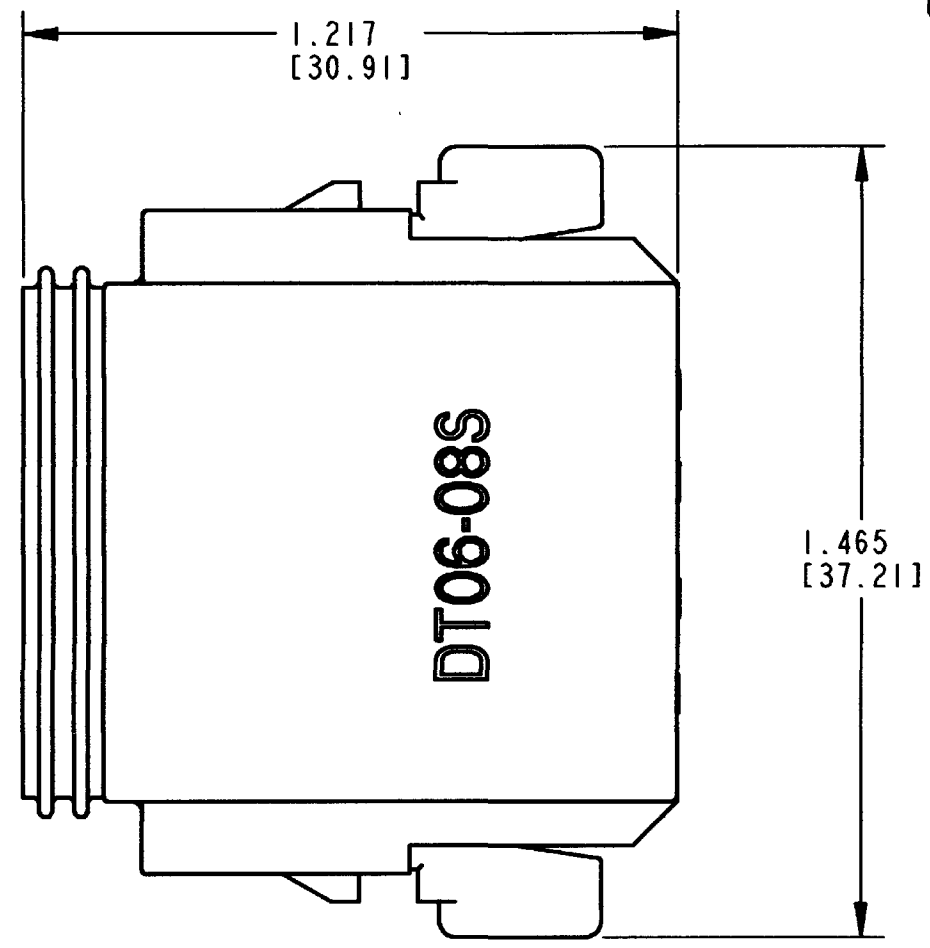


REV  
NC DT06-08S\*-C015

REVISIONS			
SYM	DESCRIPTION	DATE	APPROVED
NC	REDRAWN / REPLACES PREVIOUS		
	RELEASE PER E.O. P19917	6-25-08	RDR



DATE CODE: MONTH IS REPRESENTED BY SEQUENTIAL ALPHA CHARACTERS. EX: A = JANUARY  
YEAR IS REPRESENTED BY LAST NUMERICAL DIGIT  
EX: 8 = 2008



E- SYMBOL DESIGNATES REDUCED WIRE DIAMETER

CONTACT SIZE	MIN. INSUL. O.D.	MAX. INSUL. O.D.	WIRE RANGE [mm <sup>2</sup> ] REF ONLY
16	.053 [1.35]	.120 [3.05]	14-20 AWG [2.0-0.5]

- 5. MATERIAL - SHELL: PLASTIC; SEAL: RUBBER
- 4. THIS PLUG MATES WITH DT04-08P\*-\*\*\*\* RECEPTACLE (\* = A,B,C,D KEYS; \*\*\*\* = ALL MODIFICATIONS) CONSULT FACTORY FOR MODIFICATIONS.
- 3. FOR CONTACTS AND WIRE PERFORMANCE AND APPLICATION CHARACTERISTICS SEE ENVELOPE DRAWINGS 0425-015-0000 AND 0425-017-0000.
- 2. DIMENSIONS ARE ±.025 [0.63] UNLESS OTHERWISE SPECIFIED.

NOTES: 1. DIMENSIONS ARE IN INCHES [MILLIMETERS].

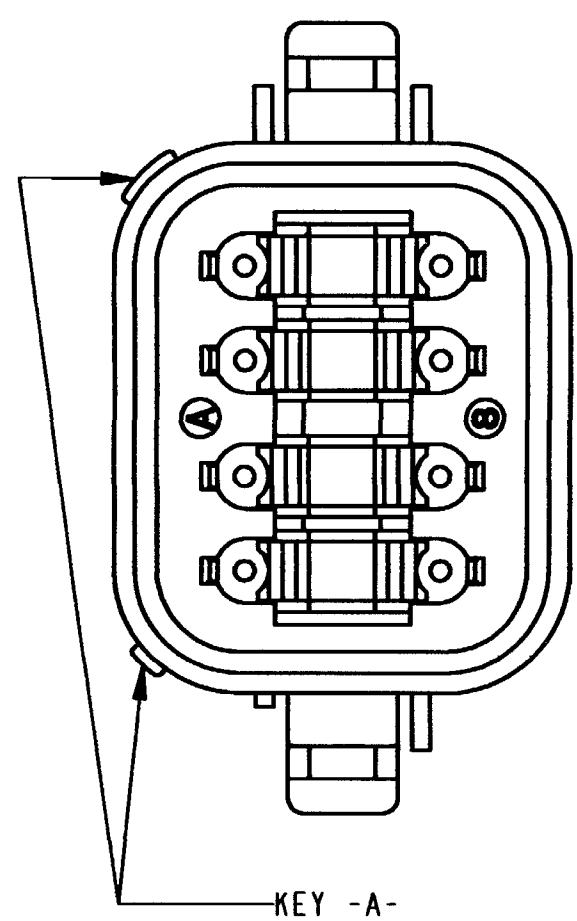
SIGNATURE & DATE	
DR	R. MESSENGER 6/18/08
CHK	R. Whitacre 6/25/08
PE	R. Messenger 6/25/08
APPD	6/25/08
SCALE	NONE WT

8 WAY PLUG  
E SEAL  
DT SERIES  
  
ENVELOPE

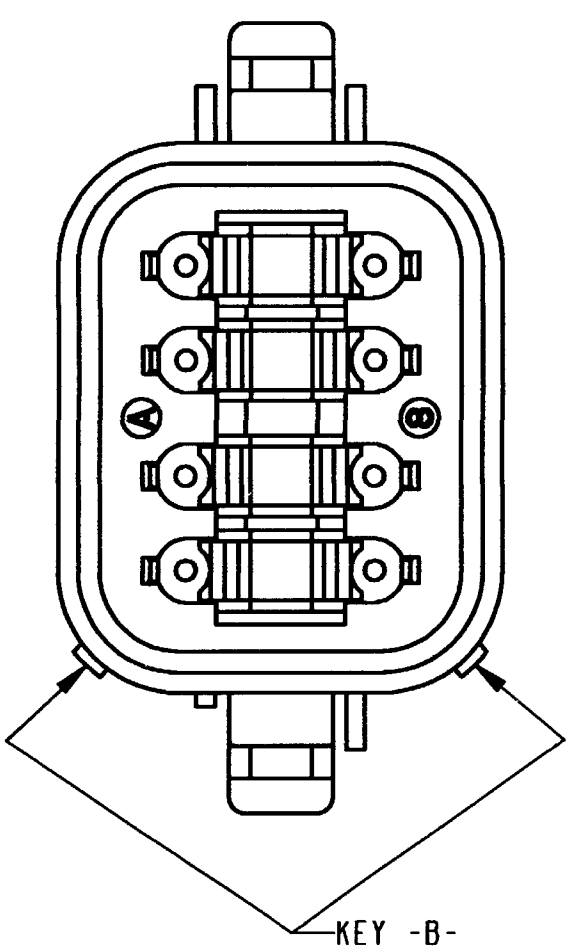
EP	MATL. CODE
3850 INDUSTRIAL AVE. HEMET, CA 92545	
<b>B</b> DT06-08S*-C015	
DWG SIZE	CODE 11139 SHEET 1 OF 2

REV	DT06-08S*-C015	REVISIONS		
NC	SYM	DESCRIPTION	DATE	APPROVED
	NC	SEE SHEET 1	6-25-08	RBR

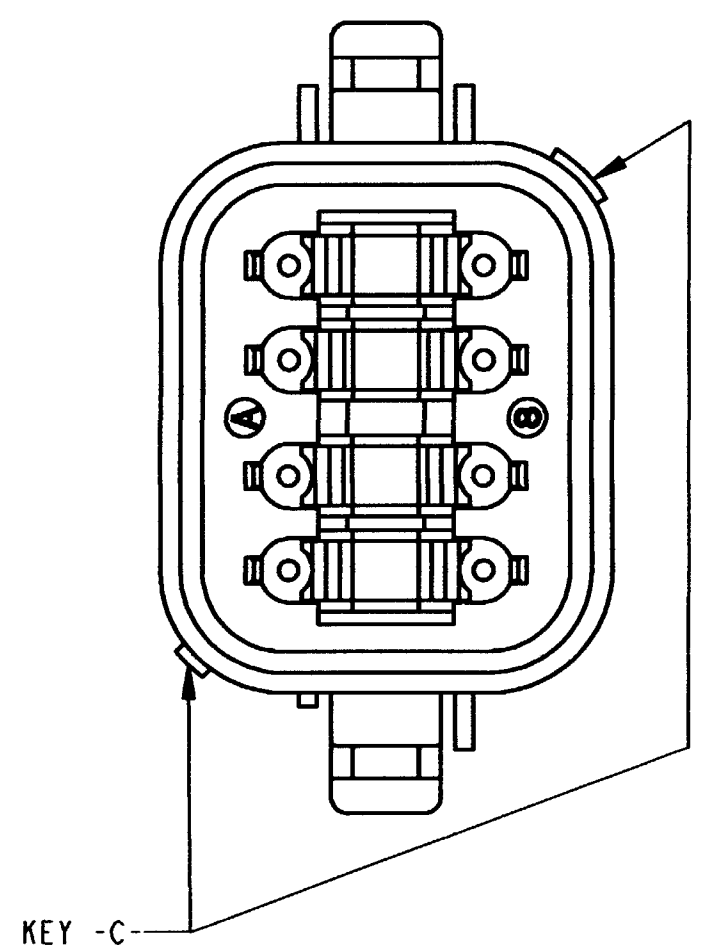
**DT06-08SA-C015**  
COLOR: GRAY



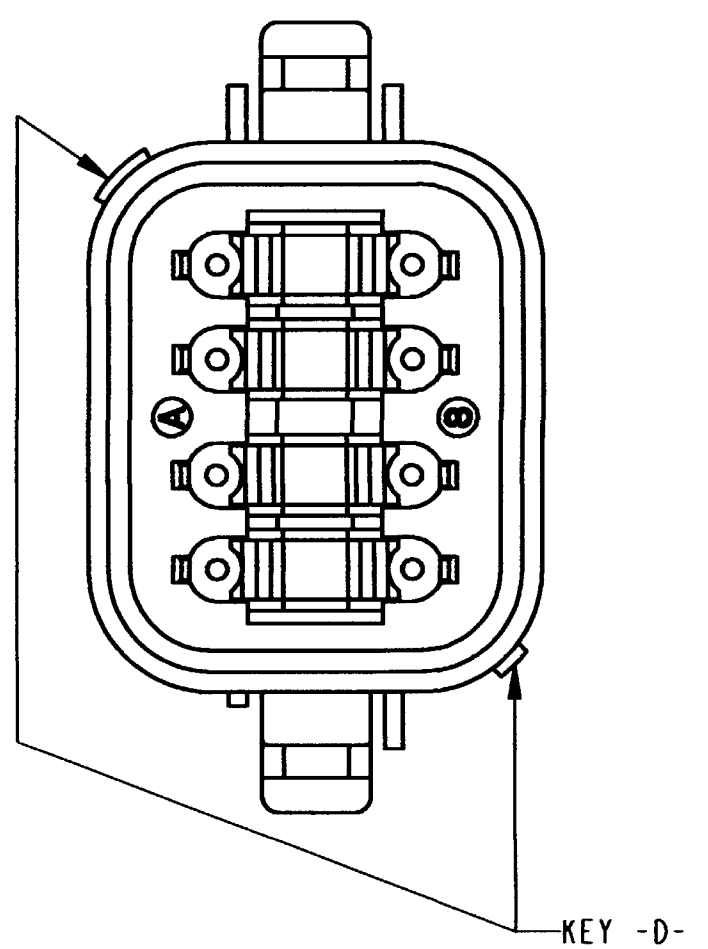
**DT06-08SB-C015**  
COLOR: BLACK




**DT06-08SC-C015**  
COLOR: GREEN



**DT06-08SD-C015**  
COLOR: BROWN



NOTES:

SIGNATURE & DATE		8 WAY PLUG E SEAL DT SERIES	EP	MATL. CODE
DR	R. MESSENGER 6/18/08		 3850 INDUSTRIAL AVE. HEMET, CA 92545	
CHK	R. Whitson 6/25/08			
PE	R. Messenger 6/25/08			
APPD	S. Beard 6-25-08		<b>B</b> DT06-08S*-C015	
SCALE	NONE WT	ENVELOPE		DWG SIZE 11139
			SHEET 2 OF 2	