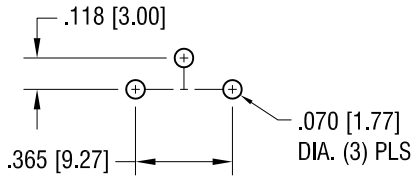
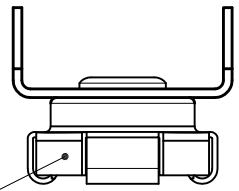


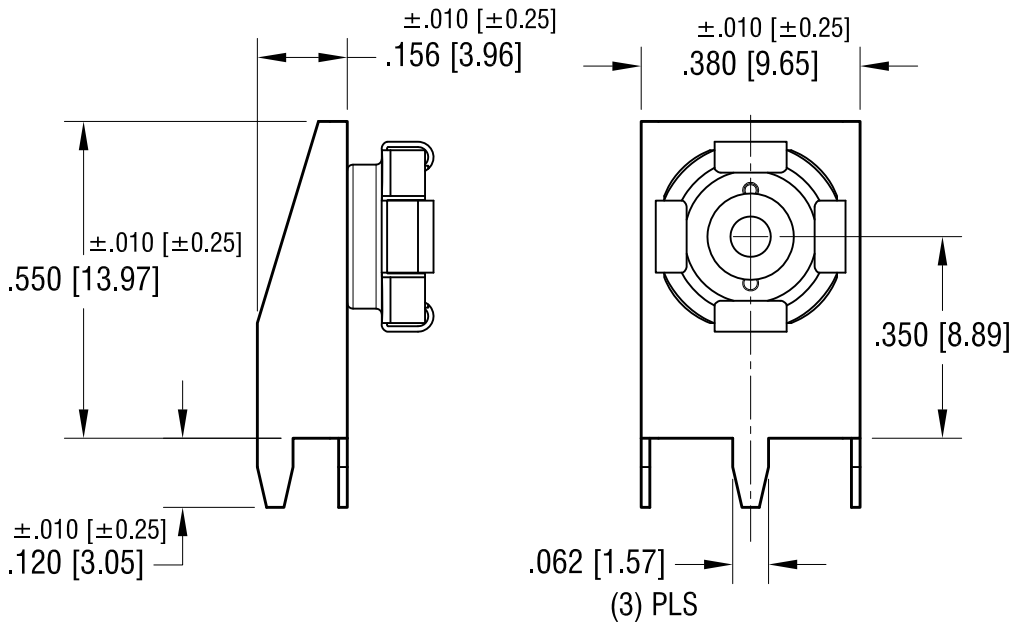
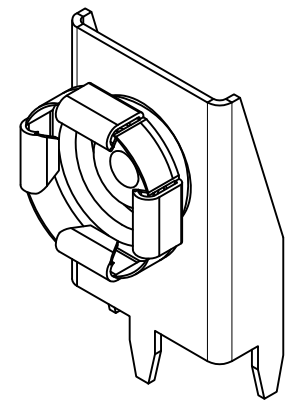
THIS DOCUMENT IS THE PROPERTY OF KEYSTONE ELECTRONICS CORP. AND SHALL NOT BE REPRODUCED, DISTRIBUTED OR USED AS A BASIS FOR MANUFACTURE WITHOUT PRIOR WRITTEN PERMISSION FROM KEYSTONE ELECTRONICS CORP.



MOUNTING DETAIL



SOCKET P/N 269



NOTE:

- 1. BASE - MAT'L: .015 [0.38] TH'K STEEL
FINISH: MATTE TIN PLATE
- 2. SOCKET - MAT'L: STEEL
FINISH: NICKEL PLATE

KEYSTONE ELECTRONICS CORP.			
www.keyelco.com • ASTORIA, N.Y. 11105-2017 • Tel (718) 956-8900			
PART NAME		9 VOLT FEMALE PC SNAP-ON	
MATERIAL		AS NOTED	
FINISH	AS NOTED	DRN BY	BOONE
		DATE	12.08.98
		APP'D	LN
		SCALE	3X
TOLERANCES	INCH [MM]	CODE	DWG NO.
DECIMAL	± .005 [±]	C	594
ANGULAR	± 1°		
UNLESS OTHERWISE SPECIFIED			

6.02.09	CHANGE AS PER ECN 09-041	A
DATE	DESCRIPTION	REV.