

Features

Package 3216 Dome lens type, Water clear epoxy resin

Product features

- Outer dimension 3.2 x 1.6 x 1.85mm (L x W x H)
- Surface mounting(-TR) / Reverse mounting(-RR) available
- 12 times brighter than current product (TYP. brightness)
- Lead-free soldering compatible
- RoHS compliant

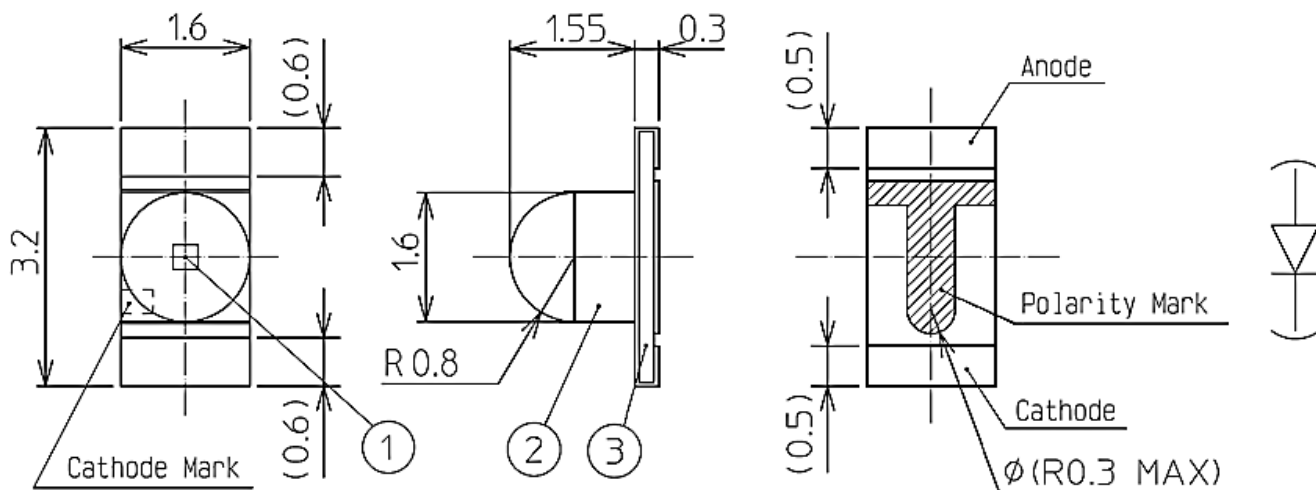
Recommended Applications

- Amusement equipment, Home appliances, OA/FA, other general applications

Outline Dimensions

FKY1105W-TR/-RR

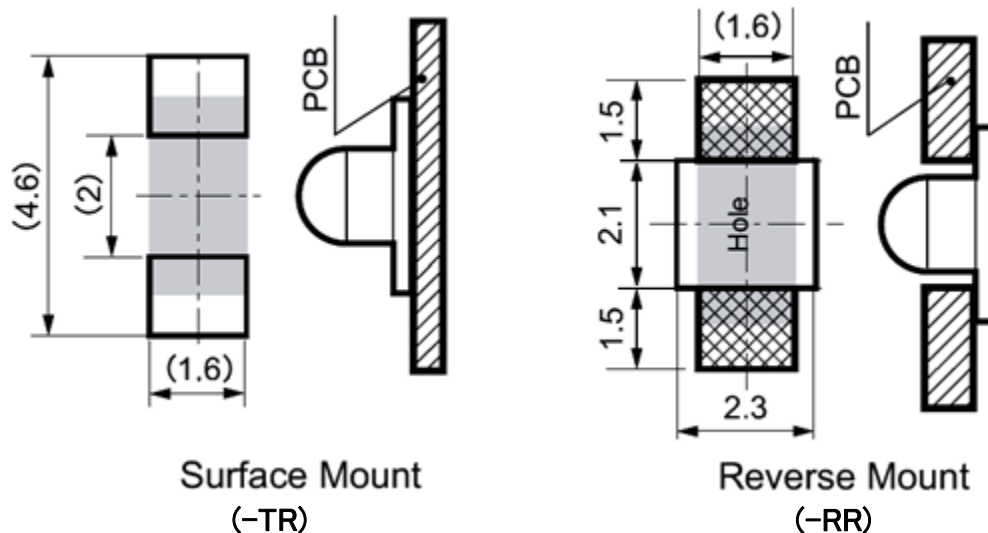
Unit : mm
 Weight : 7.81mg
 Tolerance : ±0.1



| SYM. | PART NAME | MATAL. | QTY. |
|------|-----------|---------------|------|
| ① | LED Die | AlGaNInP | 1 |
| ② | Plastic | Epoxy Resin | 1 |
| ③ | Substance | Glass Fabrics | 1 |

Recommended Pad

Unit: mm
 Tolerance : ±0.1



【 Product Overview 】

| | |
|-----------------------------|-------------|
| Die Material | AlGaInP |
| Emitting Color | Yellow |
| Resin Color 【Emitting Area】 | Water Clear |

【 Absolute Maximum Ratings 】

(Ta=25°C)

| ITEM | SYMBOL | MAXIMUM RATINGS | UNITS |
|--|---------------|-----------------|-------|
| Power Dissipation | Pd | 81 | mW |
| Forward Current | IF | 30 | mA |
| Repetitive Peak Forward Current "1ms, 1/20duty" | IFRM | 100 | mA |
| IF Derate Linearly from "75°C" | Δ IF | 1.00 | mA/°C |
| IFRM Derate Linearly from "75°C" | Δ IFRM | 3.33 | mA/°C |
| Reverse Voltage | VR | 5 | V |
| Operating Temperature | Topr | -40 ~ +100 | °C |
| Storage Temperature | Tstg | -40 ~ +105 | °C |
| Soldering Temperature "Reflow Soldering" | Tsld | 260 | °C |

Notes

Notes Please refer to Page 8, Soldering Conditions.

【 Electro and Optical Characteristics 】

(Ta=25°C)

| ITEM | SYMBOL | CONDITIONS | MIN. | TYP. | MAX. | UNITS |
|--------------------------|------------------|------------|-------|------|-------|---------|
| Forward Voltage | VF | IF = 20mA | 1.7 | 2.2 | 2.6 | V |
| Reverse Current | IR | VR = 5V | - | - | 100 | μ A |
| Luminous Intensity | Iv | IF = 20mA | 1,000 | - | 4,700 | mcd |
| Peak Wavelength | λ_p | IF = 20mA | - | 595 | - | nm |
| Dominant Wavelength | λ_d | IF = 20mA | 580 | - | 598 | nm |
| Spectral Line Half Width | $\Delta \lambda$ | IF = 20mA | - | 15 | - | nm |

Above Luminous Intensity (Iv) values and Dominant Wavelength (λ_d) values are the setup value of the selection machine. 【Tolerance : Iv... \pm 10%, λ_d ... \pm 1nm】

【 Sorting For Luminous Intensity and Dominant Wavelength 】

LEDs shall be sorted out into the following ranks of Luminous Intensity and Dominant Wavelength.

Luminous Intensity (I_v) Rank

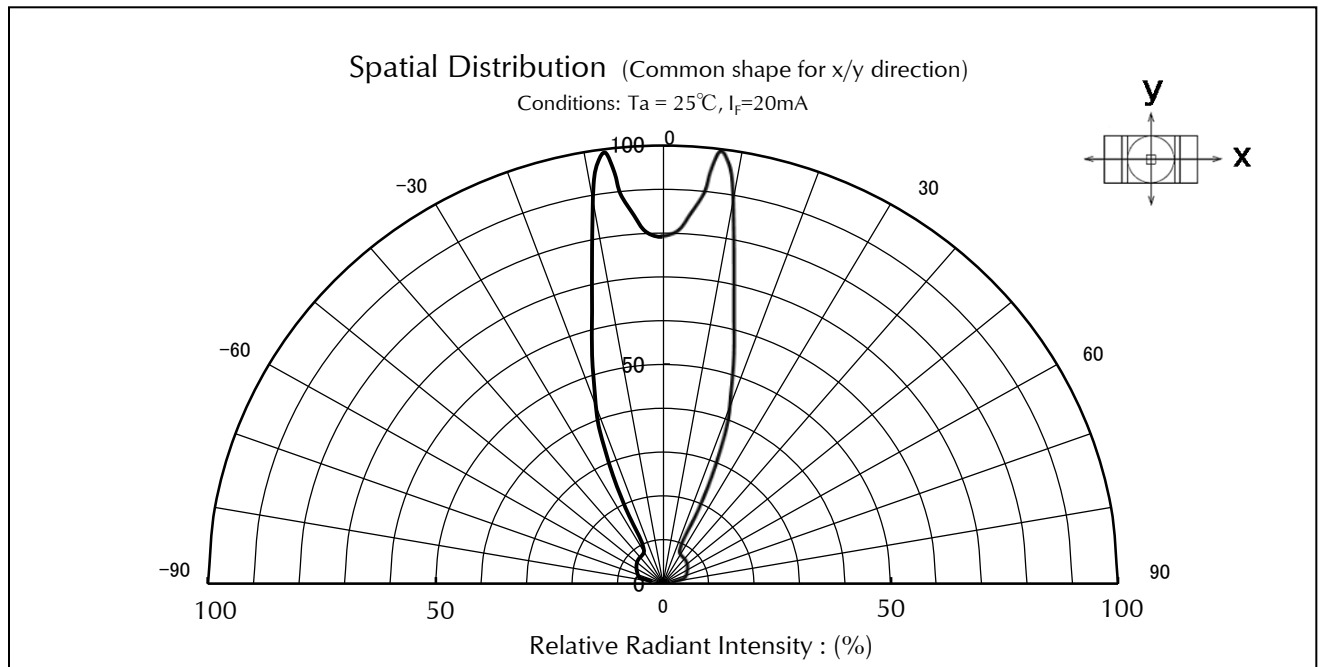
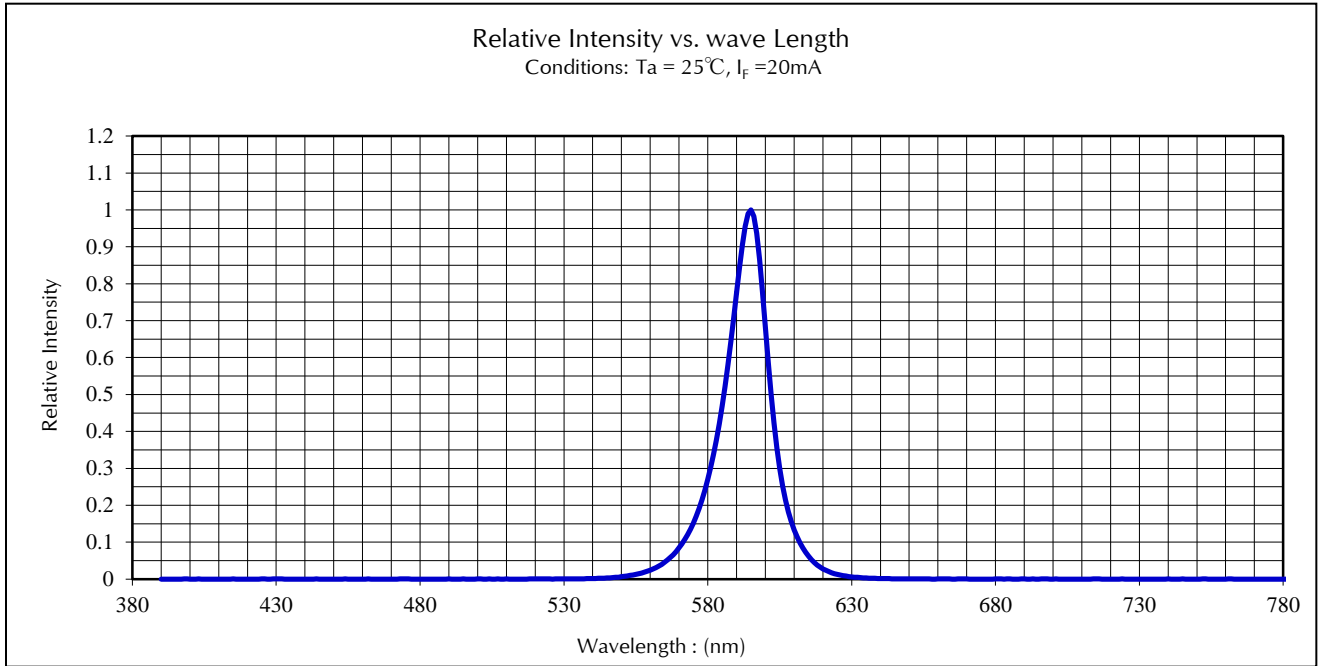
| Rank | I _v (mcd) | | CONDITIONS |
|------|----------------------|-------|--|
| | MIN. | MAX. | |
| DA | 1,000 | 1,500 | I _F =20mA T _a =25°C |
| DB | 1,500 | 2,200 | |
| DC | 2,200 | 3,300 | |
| DD | 3,300 | 4,700 | |

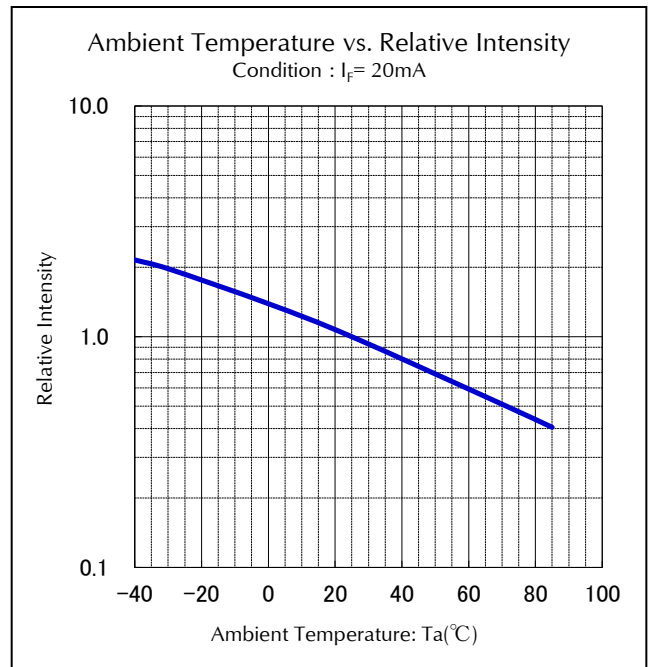
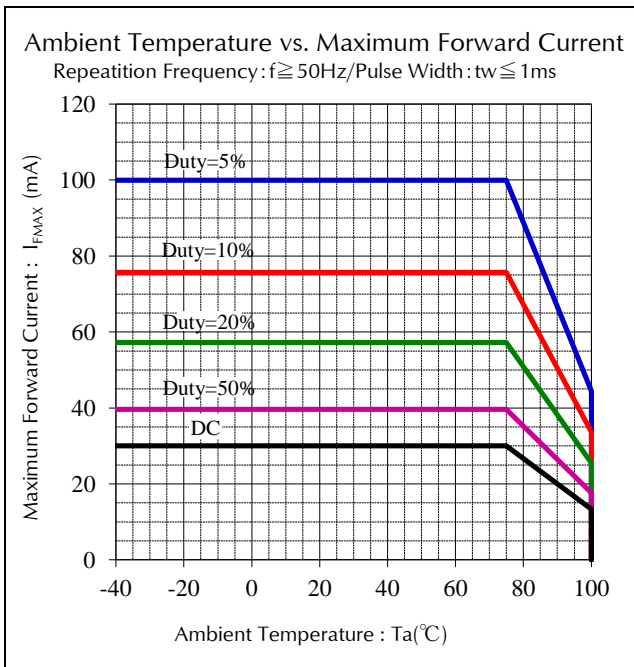
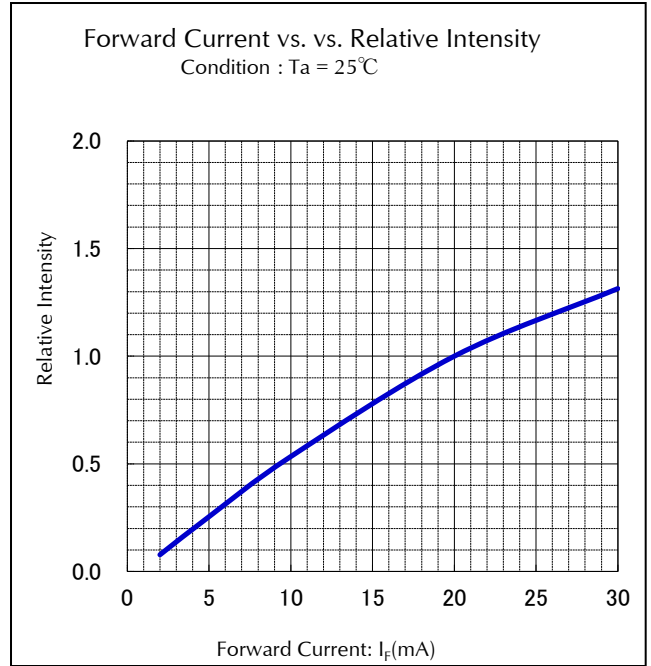
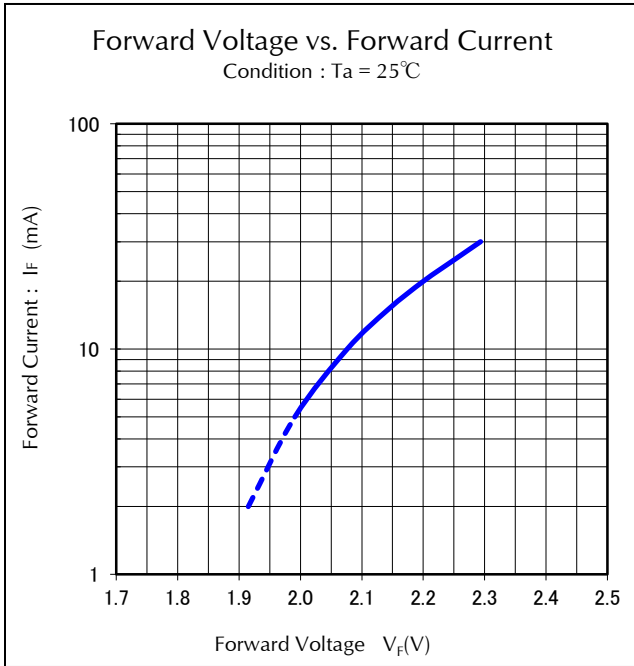
Dominant Wavelength (λ_d) Rank

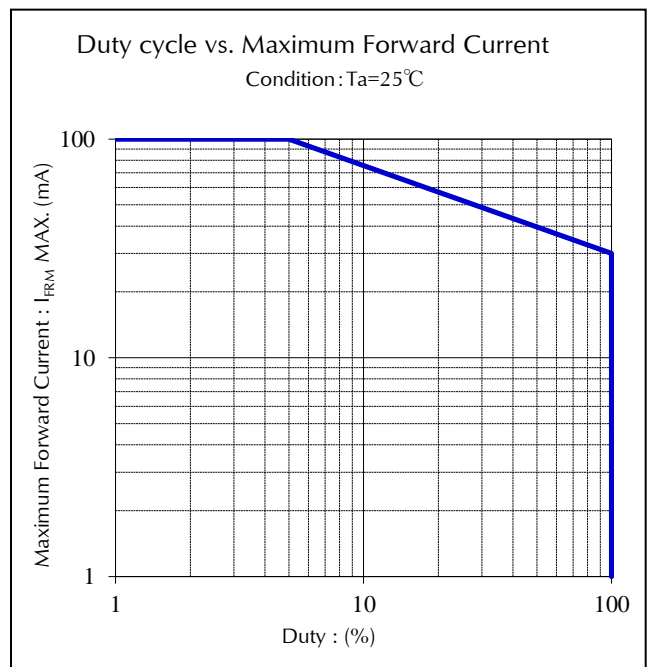
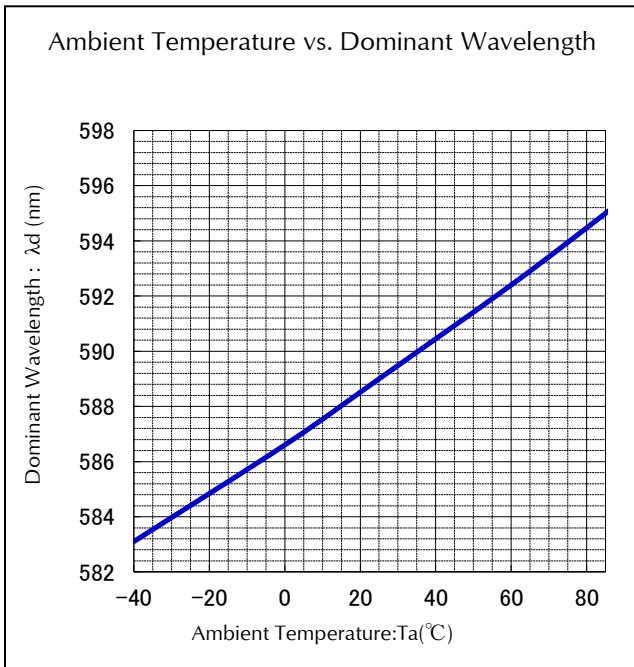
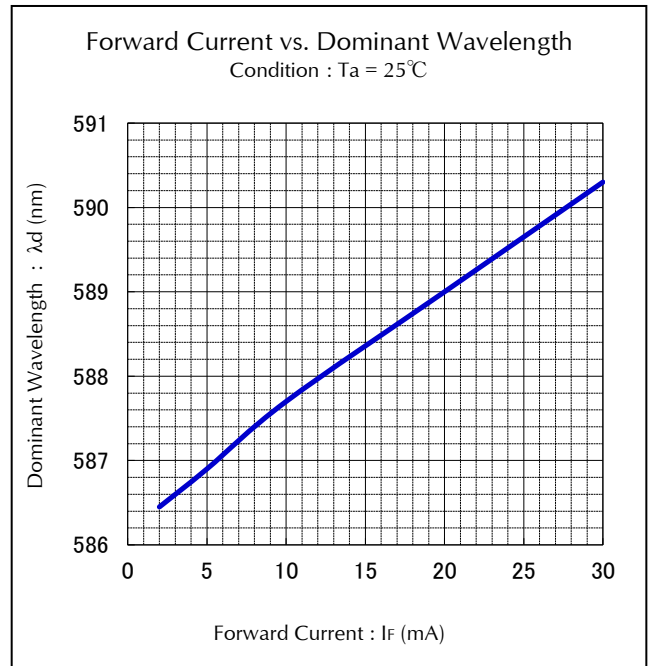
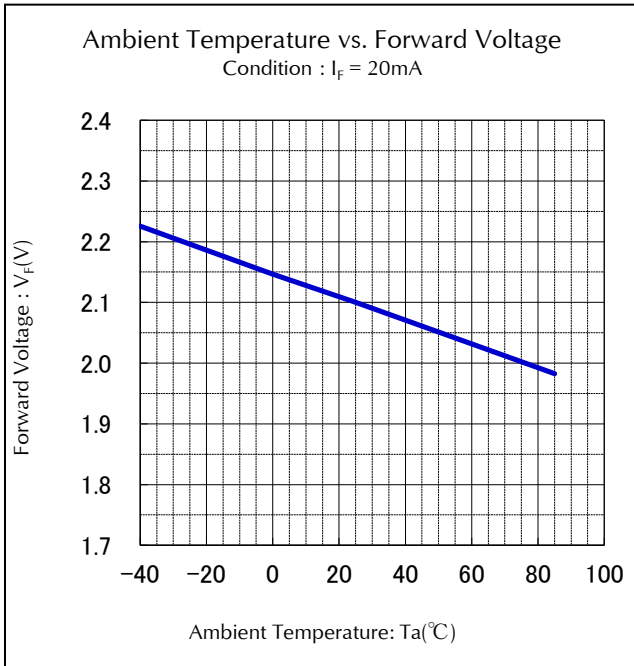
| Rank | λ _d (nm) | | CONDITIONS |
|------|---------------------|------|--|
| | MIN. | MAX. | |
| B | 580 | 583 | I _F =20mA T _a =25°C |
| C | 583 | 586 | |
| D | 586 | 589 | |
| E | 589 | 592 | |
| F | 592 | 595 | |
| G | 595 | 598 | |

Notes Above Luminous Intensity (I_v) values and Dominant Wavelength (λ_d) values are the setup value of the selection machine.

【Tolerance : I_v...±10%, λ_d...±1nm】





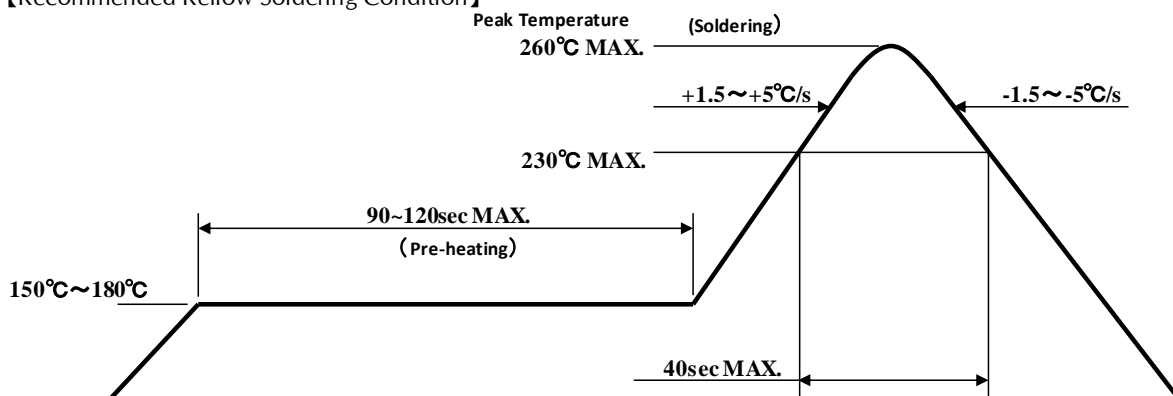


【Soldering Precaution】

(acc.to EIAJ-4701/300)

1. Heat stress during soldering will influence the reliability of LEDs, however that effect will vary on heating method. Also, if components of varying shape are soldered together, it is recommended to set the soldering pad temperature according to the component most vulnerable to heat (e.g., surface mount LED).
2. LED parts including the resin are not stable immediately after soldering (when they are not at room temperature), any mechanical stress may cause damage to the product. Please avoid such stress after soldering, especially stacking of the boards which may cause the boards to warp and any other types of friction with hard materials.
3. Recommended temperature profile for the Reflow soldering is listed as the temperature of the resin surface. Temperature distribution varies on heating method, PCB material, other components in the assembly, and mounting density.
Please do not repeat the heating process in Reflow process more than twice.

【Recommended Reflow Soldering Condition】



Note 1 Recommended temperature profile for the reflow soldering is listed as the temperature of the resin surface. This should be the maximum temperature for soldering. Lowering the heating temperature and decreasing heating time is very effective in achieving higher reliability.

Note 2 The reflow soldering process should be done up to twice(2 times Max). When second process is performed, interval between first and second process should be as short as possible to prevent absorption of moisture to resin of LED. The second soldering process should not be done until LEDs have returned to room temperature (by nature-cooling) after first soldering process.

4. If soldering manually, Stanley recommends using a soldering iron equipped with temperature control. During the actual soldering process, make sure that the soldering iron never touch the LED itself, and avoid the LED's electrode heating temperature reaching above the heating temperature of the solder pad. All repairs must be performed only once in the same spot, and please avoid reusing components.
5. In soldering process, immediately after iron tip is cleaned, please make sure that the soldering iron reaches the appropriate temperature before using. Also, please avoid applying any type of pressure to the soldered components before the solder has been cooled and hardened, as it may deteriorate solder performance and solder quality.

【Recommended Manual Soldering Condition】

| | |
|--------------------------|--------------------|
| Temperature of Iron Tip | 350°C MAX. |
| Soldering Duration, Time | 3sec. Max., 1 time |

6. When using adhesive material for tentative fixatives, thermosetting resin or Ultraviolet radiation (UV) setting resin with heat shall be recommended.
《The curing condition, Temperature:150°C Max./Time:120sec. Max.》
7. Flow soldering (dip soldering) is not recommended for this product.
8. Isopropyl alcohol is recommended for cleaning. Some chemicals, including Freon substitute detergent could corrode the lens or the casing surface, which cause discoloration, cloud, crack and so on. Please review the reference chart below for cleaning. If water is used to clean (including the final cleaning process), please use pure water (not tap water), and completely dry the component before using.

| Chemical | Adaptability |
|-------------------|--------------|
| Isopropyl Alcohol | ○ |
| Trichloroethylene | × |
| Chloroethene | × |
| Acetone | × |
| Thinner | × |

【 Other Precautions 】

1. Stanley LED Lamps have semiconductor characteristics and are designed to ensure high reliability. However, the performance may vary depending on usage conditions.
2. Absolute Maximum Ratings are set to prevent LED lamps from failing due to excess stress(temperature, current, voltage, etc.). Usage conditions must not exceed the ratings for a moment, nor do reach one item of absolute maximum ratings simultaneously.
3. In order to ensure high reliability from LED Lamps, variable factors that arise in actual usage conditions should be taken into account for designing. (Derating of TYP., MAX Forward Voltage, etc.)
4. Please insert Straight Protective Resistors into the circuit in order to stabilize LED operation and to prevent the device from igniting due to excess current.
5. Please avoid the stick of foreign material because molding resin in the products have adhesiveness. Also please don't touch lens portion.
6. Please check the actual performance in the assembly because the Specification Sheets are described for single LED.
7. Please refrain from looking directly at the light source of LED at high output, as it may harm your vision.
8. The products are designed to operate without failure in recommended usage conditions. However, please take the necessary precautions to prevent fire, injury, and other damages should any malfunction or failure arise.
9. The products are manufactured to be used for ordinary electronic equipment. Please contact our sales staff beforehand when exceptional quality and reliability are required, and the failure or malfunction of the products might directly jeopardize life or health (such as for airplanes, aerospace, transport equipment, medical applications, nuclear reactor control systems and so on).
10. When there is a process of supersonic wave welding etc. after mounting the product, there is a possibility of affecting on the reliability of junction part in package (junction part of die bonding and wire bonding). Please make sure there is no problem before using.
11. The formal specification sheets shall be valid only by exchange of documents signed by both parties.

This product is baked (moisture removal) before packaging, and is shipped in moisture-proof packaging (as shown below) to minimize moisture absorption during transportation and storage. However, with regard to storing the products, Stanley recommends the use of dry-box under the following conditions is recommended. Moisture-proof bag as the packaging is made of anti-static material but packaging box is not.

【Recommended Storage Condition / Products Warranty Period】

| | |
|-------------|-----------|
| Temperature | +5~30°C |
| Humidity | Under 70% |

In the case of the package unopened , 6 months under 【 Recommended Storage Condition 】. Please avoid rapid transition from low temp. condition to high temp. condition and storage in corroding and dusty environment.

【Time elapsed after Package Opening】

The package should not be opened until immediately prior to its use, and please keep the time frame between package opening and soldering as is 【maximum 3days(72h)】.

If the device needs to be soldered twice, both soldering operations must be completed within the 3days(72h).

If any components should remain unused, please reseal the package and store them under the conditions described in the 【 Recommended Storage Condition 】 above.

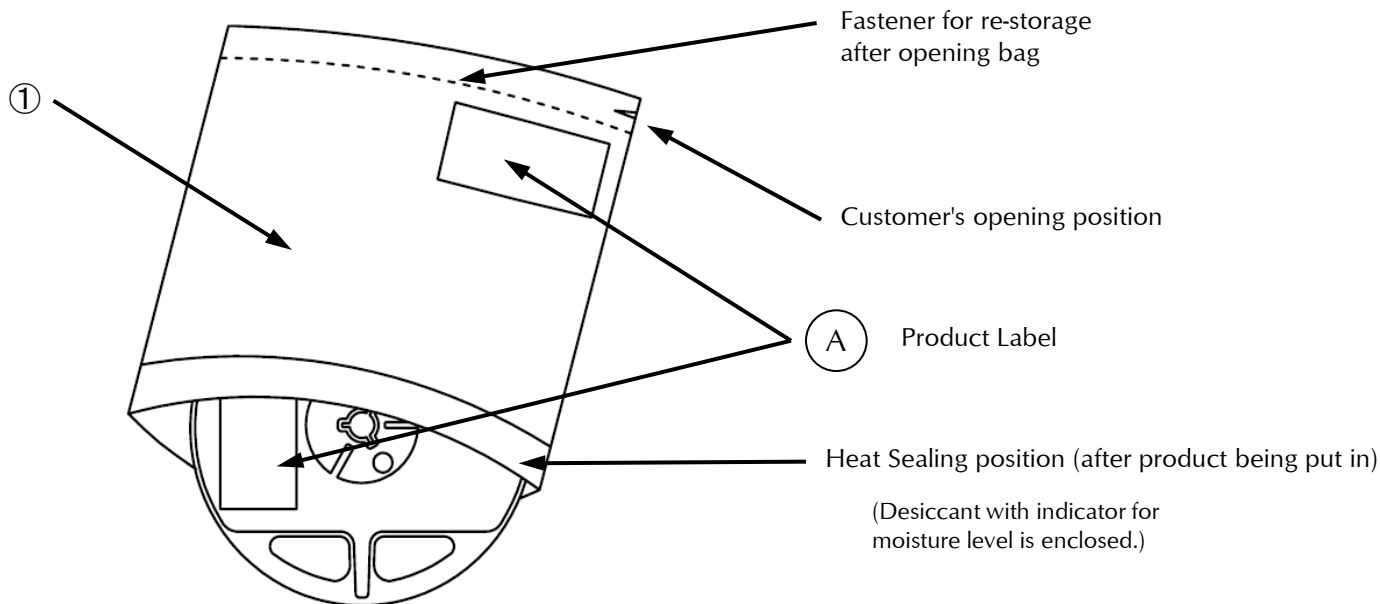
This product must be required to perform baking process (moisture removal) for at 48h(MIN.) at 60+/-5 degrees Celsius if following conditions apply.

1. In the case of silica gel (blue) which indicates the moisture level within the package, changes or loses its blue color.
2. In the case of time passes for 3days(72h) after the package is opened once.

Baking process should be performed after LED having been taken out of the package.

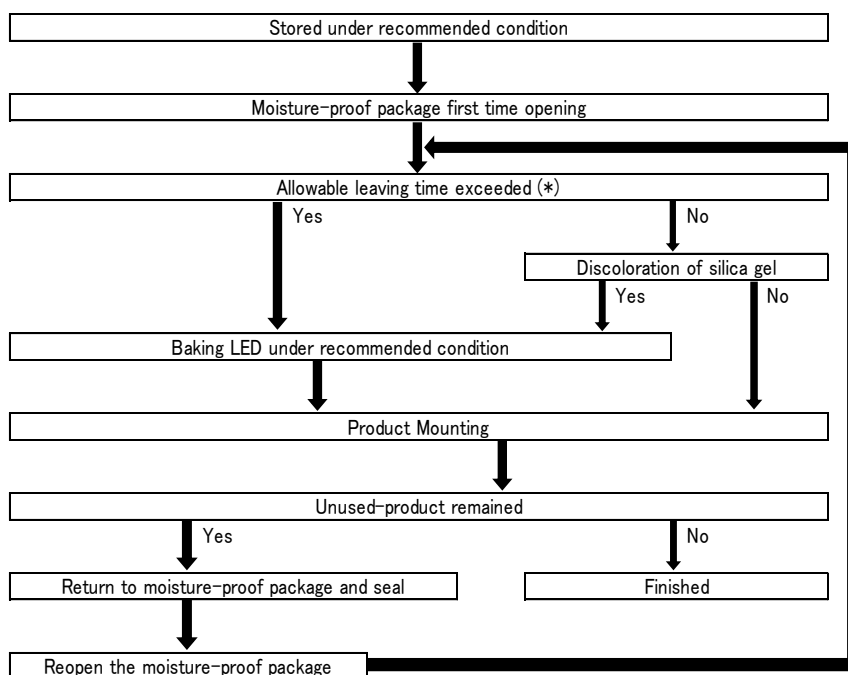
Baking may be performed in the tape-reel form , however if it is performed with the reel stacked over one another, it may cause deformation of the reels and taping materials and later obstruct mounting. Please handle only once it has returned to room temperature. Provided that, baking process shall be 2 times MAX.

【Moisture-proof Packaging Specification】



| SYM. | PART NAME | MATELRIAL | REMARKS |
|------|--|-----------|---------------------|
| ① | Moisture-proof bag with Aluminum layer | PET+Al+PE | with ESD protection |

【Flow Chart-package Opening to Mounting】



Allowable leaving time means the maximum allowable leaving time after opening package, which depends on each LED type. The allowable leaving time should be calculated from the first opening of package to the time when soldering process is finished. When judging if the allowable leaving time has exceeded or not, please subtract the soldering time. The allowable leaving time should be calculated from the first opening of package, or from the time when baking process is finished.

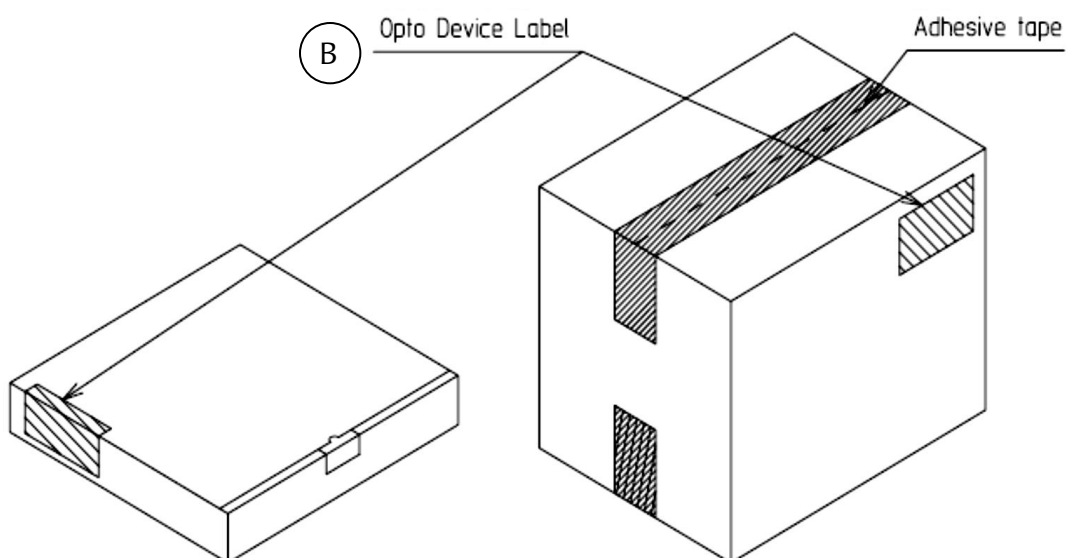
【 Packing box 】

(RoHS•ELV Compliant)

| Box Type | Outline dimension L × W × H (mm) | Capacity of the box |
|----------|-------------------------------------|---------------------|
| Type A | 280 × 265 × 45 (mm) | 3 reel |
| Type B | 310 × 235 × 265 (mm) | 15 reel |
| Type C | 440 × 310 × 265 (mm) | 30 reel |

The above measure is all the reference value.

The box is selected out of the above table by shipping quantity.



Type A

Material / box : Cardboard C5BF

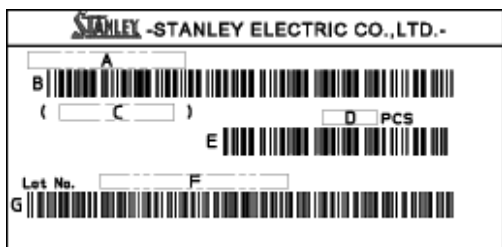
Type B,C

Material / box : Cardboard K5AF
Partition : Cardboard K5AF

【 Label Specification】

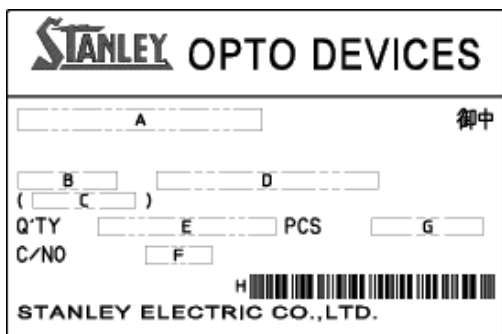
(acc.to JIS-X0503(Code-39)

A Product label



- A. Parts number
- B. Bar-code for parts number
- C. Parts code (In-house identification code for each parts number)
- D. Packed parts quantity
- E. Bar-Code for packed parts quantity
- F. Lot number & Rank
(refer to Lot Number Notational System for details)
- G. Bar-Code for Lot number & Rank

B Opto device label



- A. Customer Name
- B. Parts Type
- C. Parts Code
- D. Parts Number
- E. Packed Parts Quantity
- F. Carton Number
- G. Shipping Date
- H. Bar-Code for In-house identification Number

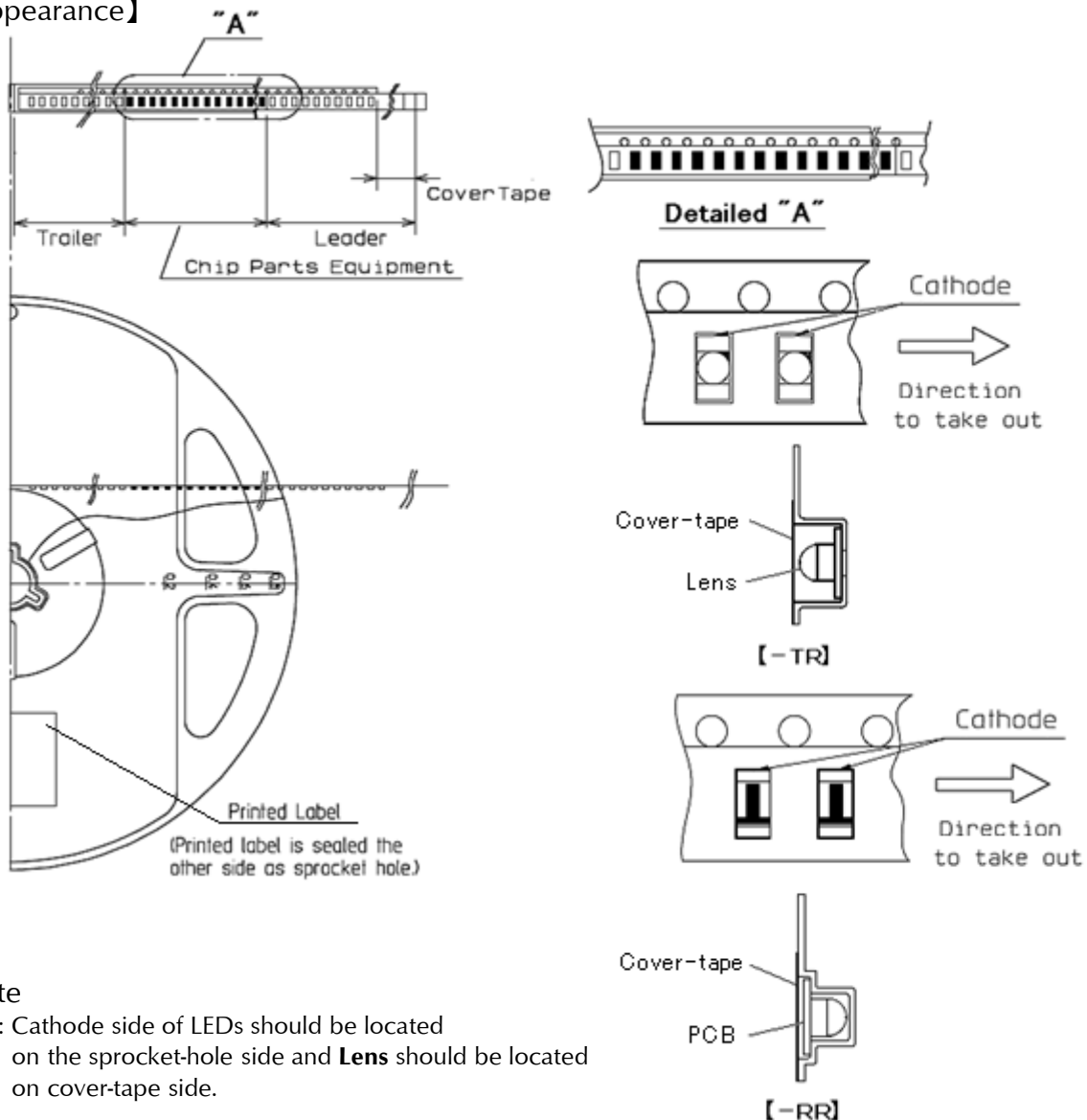
<Remarks> Bar-code font : acc.to Code-39(JIS-X0503)

Taping and Reel Specifications

FK□1105W-TR/-RR

(acc.to JIS-C0806-03)

【Appearance】



Note

- TR : Cathode side of LEDs should be located on the sprocket-hole side and **Lens** should be located on cover-tape side.
- RR : Cathode side of LEDs should be located on the sprocket-hole side and **PCB** should be located on cover-tape side.

| Items | | Specifications | Remarks |
|--------------|--------------|--|--|
| Leader area | Cover-tape | Cover-tape shall be longer than 200mm without carrier-tape | The end of cover-tape shall be held with adhesive tape. |
| | Carrier-tape | Empty pocket shall be more than 10 pieces. | Please refer to the above figure for Taping & reel orientation . |
| Trailer area | | Empty pocket shall be more than 15 pieces. | The end of taping shall be inserted into a slit of the hub. |

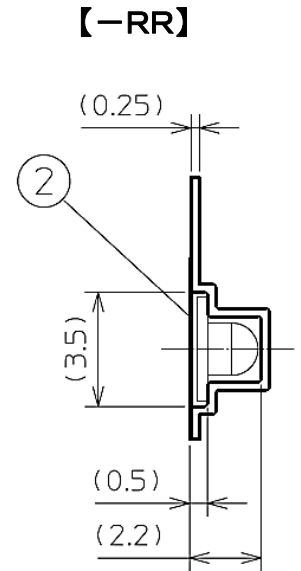
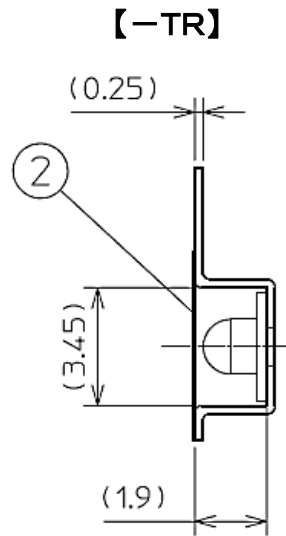
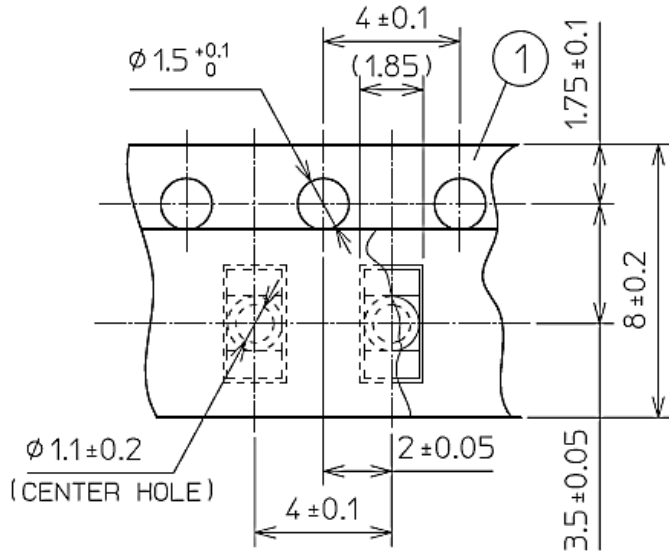
Taping and Reel Specifications

FK□1105W-TR/-RR

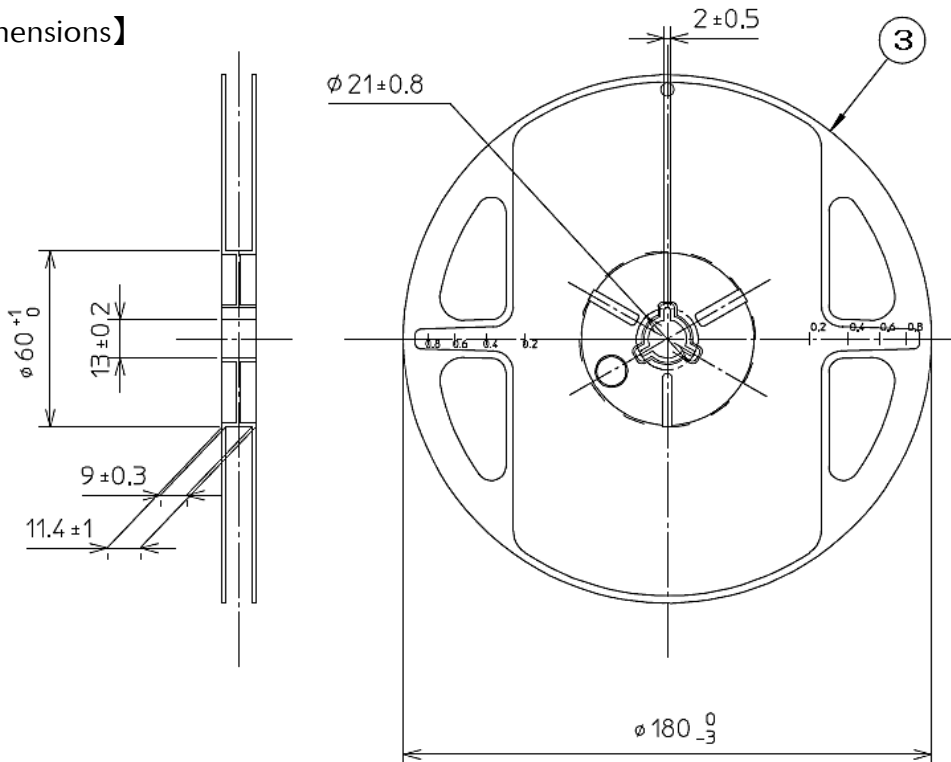
Unit : mm

(acc.to JIS-C0806-03)

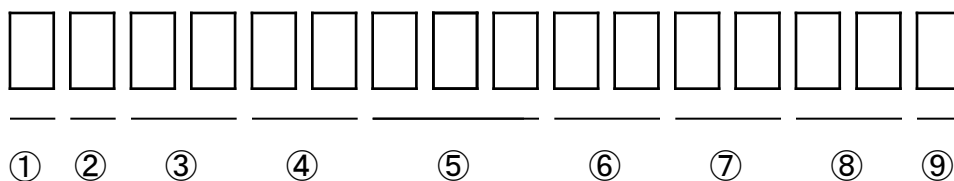
【Taping Dimensions】



【Reel Dimensions】



| SYM. | PART NAME | REMARKS |
|------|--------------|---------------------|
| ① | Carrier-tape | with ESD protection |
| ② | Cover-tape | with ESD protection |
| ③ | Carrier-reel | with ESD protection |



① - 1digit : Production Location (Mark identify alphabet)

② - 1digit : Production Year (Last digit of Production Year 2009→9,2010→0,2011→1,···)

③ - 2digit : Production Month (Jan. to Sep. , should be 01,02,03,·····)

④ - 2digit : Production Date

⑤ - 3digit : Serial Number

⑥ - 2digit : Tape and Reel following Number

⑦ - 2digit : Luminous Intensity Rank.

(If luminous intensity rank is 1 digit, "-" shall be dashed on the place for the second digit.
If there is no identified intensity rank, "- ." is used to indicate.)

⑧ - 2digit : Chromaticity Rank

(If chromaticity rank is 1 digit, "-" shall be dashed on the place for the second digit.
If there is no identified intensity rank, "- ." is used to indicate.)

⑨ - 1digit : Option Rank (Stanley normally print "-" to indicate)

This product is in compliance with RoHS・ELV.

Prohibition substance and it's criteria value of RoHS・ELV are as follows.

- RoHS instruction Refer to following (1)~(6).
- ELV instruction Refer to following (1)~(4).

| | Substance Group Name | Criteria Value |
|-----|---------------------------|----------------|
| (1) | Lead and its compounds | 1,000ppm Max |
| (2) | Cadmium and its compounds | 100ppm Max |
| (3) | Mercury and its compounds | 1,000ppm Max |
| (4) | Hexavalent chromium | 1,000ppm Max |
| (5) | PBB | 1,000ppm Max |
| (6) | PBDE | 1,000ppm Max |

1. Reliability Testing Result

| Test Items | Standards | Test Condition | | Sample Qty. |
|-------------------------------|-------------------------|--|--------------|-------------|
| Operating Life | EIAJ ED-4701 /100 (101) | Ta=25°C If=30mA | 1,000h | 0 / 25 |
| Resistance to Soldering Heat | EIAJ ED-4701 /300(302) | 260°C+/-5°C | 5sec or less | 0 / 25 |
| Temperature Cycling | EIAJ ED-4701 /100(105) | Ta=-40°C(30min) ~ Room Temperature (15min) ~ 120°C(30min)~ Room Temperature (15min) | 5 cycles | 0 / 25 |
| Wet High Temp. Strage Life | EIAJ ED-4701 /100(103) | Ta=60°C+/-2°C Rh=90%+/-5% | 1,000h | 0 / 25 |
| High Temp. Strage Life | EIAJ ED-4701 /200(201) | Ta=120°C | 1,000h | 0 / 25 |
| Low Temp. Strage Life | EIAJ ED-4701 /200(202) | Ta=-40°C | 1,000h | 0 / 10 |
| Vibration, Variable Frequency | EIAJ ED-4701 /400(403) | 98.1m/s ² (10G) 100~2000Hz sweep for 20min each direction X,Y,Z | 2h of each | 0 / 10 |

2. Failure Criteria

| Items | Symbol | Conditions | Failure Criteria |
|--------------------|----------------|----------------------|---|
| Luminous Intensity | I _V | I _F =20mA | Testing Min. Value < Standard Min. Value × 0.5 |
| Forward Voltage | V _F | I _F =20mA | Testing Max. Value ≥ Standard Max. Value × 1.2 |
| Reverse Current | I _R | V _R =5V | Testing Max. Value ≥ Standard Max. Value × 2.5 |
| Appearance | - | - | Notable discoloration, deformation and cracking |

Special Notice to Customers Using the Products and Technical Information Shown in This Data Sheet

- 1) The technical information shown in the data sheets are limited to the typical characteristics and circuit examples of the referenced products. It does not constitute the warranting of industrial property nor the granting of any license.
- 2) For the purpose of product improvement, the specifications, characteristics and technical data described in the data sheets are subject to change without prior notice. Therefore it is recommended that the most updated specifications be used in your design.
- 3) When using the products described in the data sheets, please adhere to the maximum ratings for operating voltage, heat dissipation characteristics, and other precautions for use. We are not responsible for any damage which may occur if these specifications are exceeded.
- 4) The products that have been described to this catalog are manufactured so that they will be used for the electrical instrument of the benchmark (OA equipment, telecommunications equipment, AV machine, home appliance and measuring instrument).
The application of aircrafts, space borne application, transportation equipment, medical equipment and nuclear power control equipment, etc. needs a high reliability and safety, and the breakdown and the wrong operation might influence the life or the human body. Please consult us beforehand if you plan to use our product for the usages of aircrafts, space borne application, transportation equipment, medical equipment and nuclear power control equipment, etc. except OA equipment, telecommunications equipment, AV machine, home appliance and measuring instrument.
- 5) In order to export the products or technologies described in this data sheet which are under the "Foreign Exchange and Foreign Trade Control Law," it is necessary to first obtain an export permit from the Japanese government.
- 6) No part of this data sheet may be reprinted or reproduced without prior written permission from Stanley Electric Co., Ltd.
- 7) The most updated edition of this data sheet can be obtained from the address below:
<http://www.stanley-components.com>