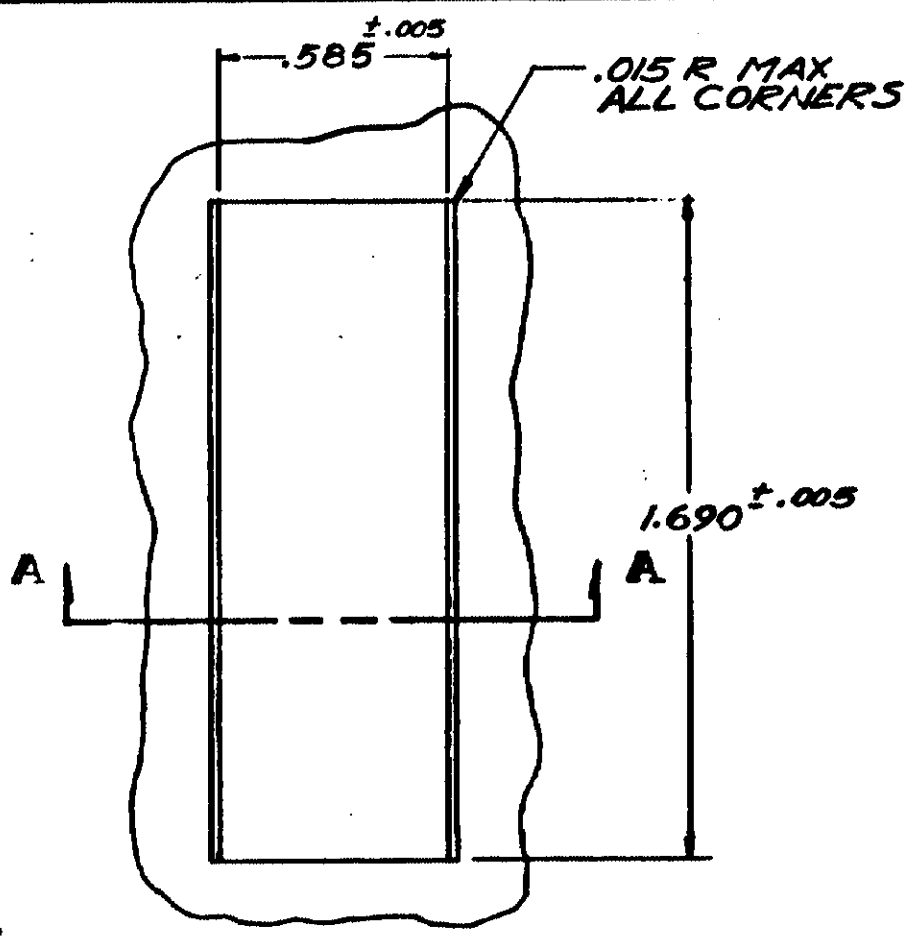


NUMBER 480439



SEC. A-A

1. EFFECTIVE PANEL THICKNESS "E" IS .040-.100 AND IS DEPENDENT ON "T" AND "R".
2. CAP MUST BE INSERTED IN A ROCKING MANNER.
3. THE PANEL MUST BE PUNCHED SO THAT THE HOUSING ENTERS THE PANEL IN THE SAME DIRECTION AS THE PUNCH
4. PANEL MUST NOT HAVE ANY MATERIAL (PAINT, PORCELAIN, ETC.) APPLIED IN THE MOUNTING HOLE AREA THAT WOULD DECREASE RETENTION OF THE HOUSING IN THE PANEL.

DIMENSIONS IN INCHES DO NOT SCALE PRINT

©1966 BY AMP INCORPORATED. ALL RIGHTS RESERVED. AMP PRODUCTS COVERED BY PATENTS AND/OR PATENTS PENDING.

CUSTOMER COPY REFERENCE ONLY

MATERIAL AND FINISH

_____ X _____



AMP INCORPORATED HARRISBURG, PENNA.

WIRE — RANGE — INSULATION

— X — — X —

CLASS _____ X _____

TYPE _____ X _____

[Grid area with diagonal lines]				

TOLERANCE EXCEPT AS NOTED ± 1/10"

SCALE 2x1

LOC CM A NO 480439 REV B

DR J. P. YUNKLE DE

CHK [Signature] / 12/23/67 APP [Signature] / 12/24/67

NAME RECOMMENDED MOUNTING INFORMATION FOR 16 CIRCUIT MATE-N-LOK MOTOR MOUNT CAP