

**NOTES:**

① MAT'L: COPPER (STOCK TKN.  $\frac{.028}{.71}$ )

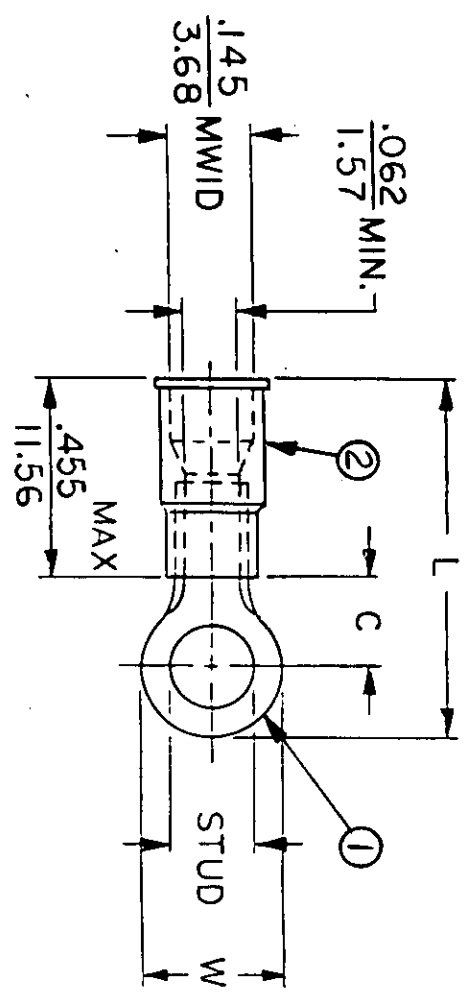
② INSULATION: ELECTRO-TIN (.0003 MIN.)  
MOLDED PVC (RED)

STUD SIZES: ( $\pm .005$ )

- 02 = .094
- 04 = .119
- 06 = .146
- 08 = .173
- 10 = .198
- 14 = .265
- 56 = .328
- 38 = .390

UL LISTING #E32244  
CSA LISTING #18689

ALL DIMENSIONS = INCHES  
MM



MWID = MAXIMUM WIRE  
INSULATION DIAMETER  
WIRE SIZE: 22-18 AWG  
.25-1.5 MM<sup>2</sup>

PART NUMBER	"W" ±.010	"C" MIN.	"L" MAX.	REFERENCE	SCALE:	NTS	DATE	TITLE:	DWG. NO.	CUSTOMER
A-233-	$\frac{.273}{6.93}$	$\frac{.240}{6.10}$	$\frac{.866}{22.00}$		DRWN. BY:	Y6	10-23-84	RING TONGUE TERMINAL INSULKRIMP 200-SERIES	A	CUSTOMER
					CHKD. BY:	GZ	11-9-84			
					APPRD. BY:					
DIMENSIONAL TOLERANCES UNLESS OTHERWISE SPECIFIED FRAC. DEC. ANG.										

