

Fiber Optic Components

156 Mbps Fiber Optic LED

HFE7020-210

FEATURES

- Designed for high-speed data communication
- Converts electrical into optical signal
- 650 nm emission for plastic optical fiber
- High power output (typ. -1.5 dBm @ $I_f = 30$ mA)
- High speed response (cut-off frequency typ. 100 MHz)
- High reliability



WARNING

PERSONAL INJURY

DO NOT USE these products as safety or emergency stop devices, or in any other application where failure of the product could result in personal injury. **Failure to comply with these instructions could result in death or serious injury.**



WARNING

MISUSE OF DOCUMENTATION

- The information presented in this product sheet is for reference only. Do not use this document as a product installation guide.
- Complete installation, operation, and maintenance information is provided with each product.

Failure to comply with these instructions could result in death or serious injury.

NOTICE

Stress greater than those listed under "Absolute Maximum Ratings" may cause permanent damage to the device. This is a stress rating only and functional operation of the device at these or any other conditions above those indicated in the operational section of this specification is not implied. Exposure to absolute maximum rating conditions for extended periods of time may affect reliability.



HFD7510-2xx

DESCRIPTION

The HFE7020-210 is a high-speed optical transmitter designed for high-speed applications within short plastic optical fiber (POF) systems.

The 650nm wavelength provides a low attenuation in PMMA (polymethylmethacrylat) fibers. The plastic SMA housing delivers a cost-effective module that can be mounted easily on a PCB. The LED is designed to work with Honeywell's high-speed 650 nm receiver, HFE7520-212.

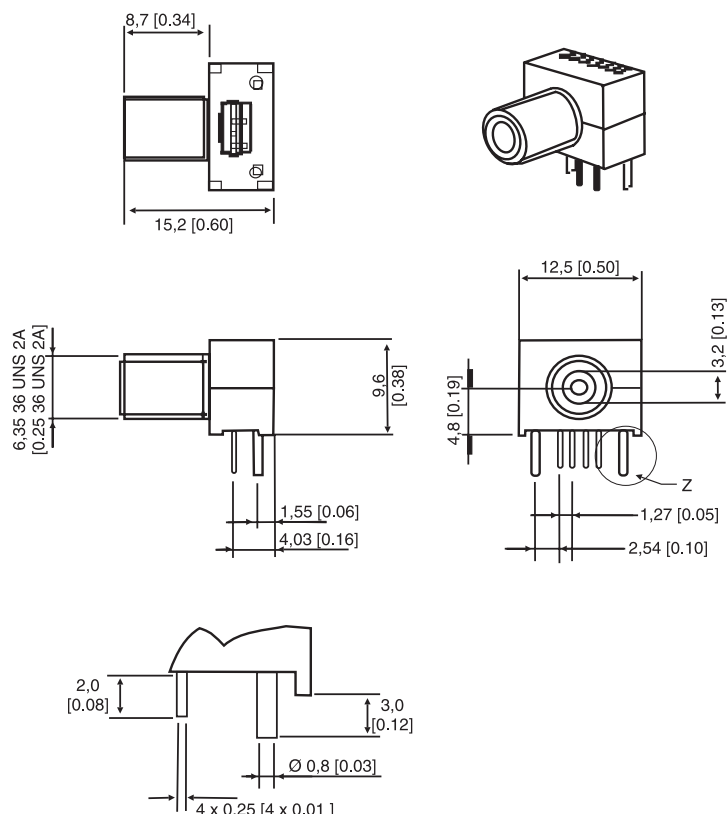
The fiberoptic LED component is mounted in a PA (polyamide) plastic fiber-reinforced housing that offers maximum mechanical stability.

APPLICATIONS

The device is developed for a high-speed optical bus environment. Ethernet and Fast Ethernet optical backbones are similar to these high-speed data transfer systems.

FIGURE 1. PACKAGE INFORMATION

Outline dimensions mm [in] (for reference only)



Fiber Optic Components

156 Mbps Fiber Optic LED

HFE7020-210

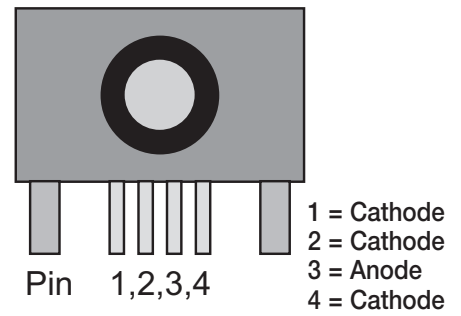
ABSOLUTE MAXIMUM LED RATINGS ($T_A = 25\text{ }^\circ\text{C}$ [77 °F])

| Parameter | Rating |
|--------------------------------------|------------------------------------|
| Storage temperature | -40 °C to 85 °C [-40 °F to 185 °F] |
| Operating temperature | 0 °C to 60 °C [32 °F to 140 °F] |
| Lead solder temperature ¹ | 230 °C [446 °F] for 5 sec. |
| Power dissipation ² | 250 mW |
| Forward current | 50 mA |

¹ At least 1,5 mm [0.06 in] away from package surface.

² Derate power dissipation at a rate of 1.7 mW/°C above $T_A = 25\text{ }^\circ\text{C}$ [77 °F].

FIGURE 2. PINOUT



Fiber Optic Components

156 Mbps Fiber Optic LED

HFE7020-210

LED ELECTRO-OPTICAL CHARACTERISTICS ($T_A = 25\text{ }^\circ\text{C}$ [77 °F], $V_{CC} = 4.5\text{ V}$ to 5.5 V)

| Parameter | Test Condition | Symbol | Min. | Typ. | Max. | Unit |
|--|----------------------|-----------------|------|------|------|------|
| Data rate | $I_f = 30\text{ mA}$ | f_D | | | 156 | Mbps |
| Forward voltage | $I_f = 30\text{ mA}$ | V_f | | 2.3 | | V |
| Peak emission wavelength | $I_f = 30\text{ mA}$ | Δp | 640 | 650 | 660 | nm |
| Spectral width (FWHM) | $I_f = 30\text{ mA}$ | $\Delta\lambda$ | | 10 | | nm |
| Fiber coupled optical power ¹ | $I_f = 30\text{ mA}$ | P_o | -4.5 | -1.5 | | dBm |
| Cut-off frequency | $I_f = 30\text{ mA}$ | F_c | | 100 | | MHz |

¹ Measurement at a 1,0 m [39.37] long optical fiber POF.

ORDER GUIDE

| Catalog Listing | Description |
|-----------------|----------------------------|
| HFE7020-210 | LED in plastic SMA housing |

Fiber Optic Components

156 Mbps Fiber Optic LED

HFE7020-210

WARRANTY/REMEDY

Honeywell warrants goods of its manufacture as being free of defective material and faulty workmanship. Contact your local sales office for warranty information. If warranted goods are returned to Honeywell during that period of coverage, Honeywell will repair or replace without charge those items it finds defective. **The foregoing is Buyer's sole remedy and is in lieu of all other warranties, expressed or implied, including those of merchantability and fitness for a particular purpose.**

While we provide application assistance, personally, through our literature and the Honeywell web site, it is up to the customer to determine the suitability of the product in the application.

Specifications may change at any time without notice. The information we supply is believed to be accurate and reliable as of this printing. However, we assume no responsibility for its use.

SALES AND SERVICE

Honeywell serves its customers through a world-wide network of sales offices and distributors.

For application assistance, current specifications, pricing, or name of the nearest Authorized Distributor, contact a nearby sales office or call:

TELEPHONE

| | |
|---------------|---------------------|
| Germany | +49(0)89 3581 3310 |
| UK | +44(0) 1698 481 481 |
| USA & Canada | 1-800-537-6945 |
| International | 1-815-235-6847 |

INTERNET

<http://www.honeywell.com/sensing>
e-mail: info.sc@honeywell.com

Honeywell

Sensing and Control
Honeywell
11 West Spring Street
Freeport, Illinois 61032

www.honeywell.com/sensing

100104-1-EN IL50 GLO 0104
Copyright 2003-2004 Honeywell International Inc. All Rights Reserved.