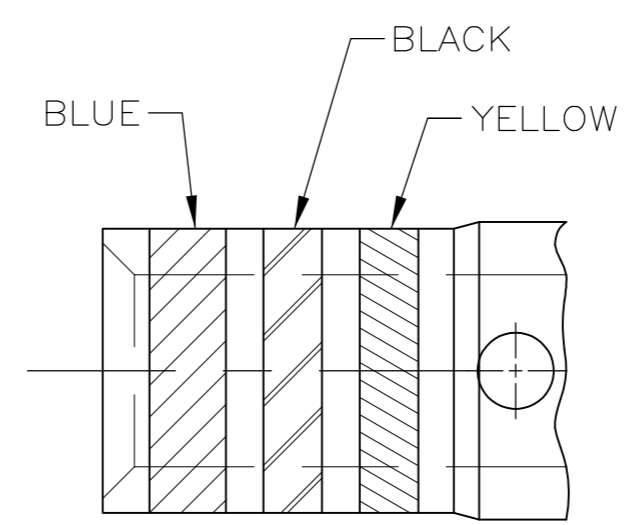
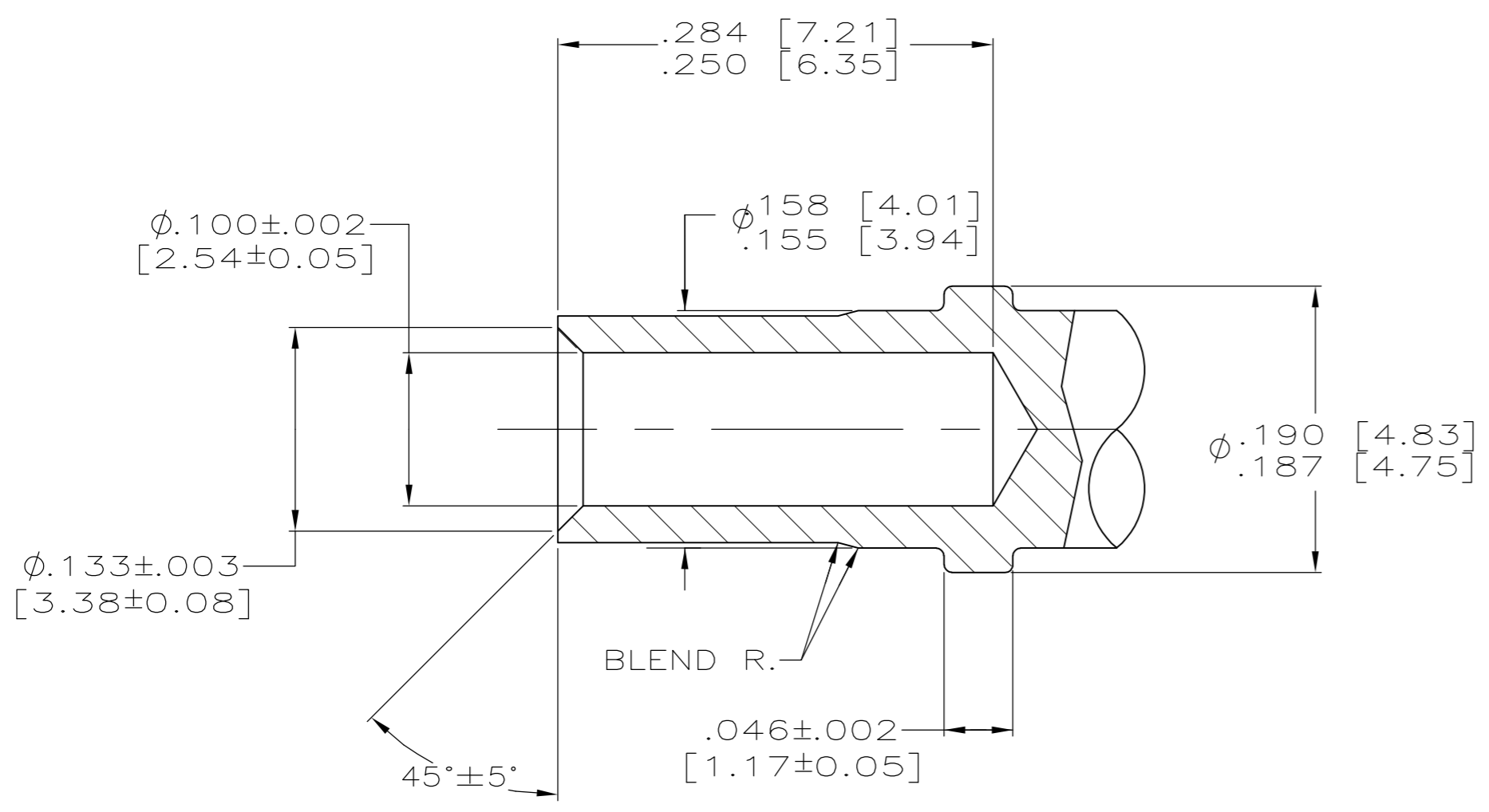
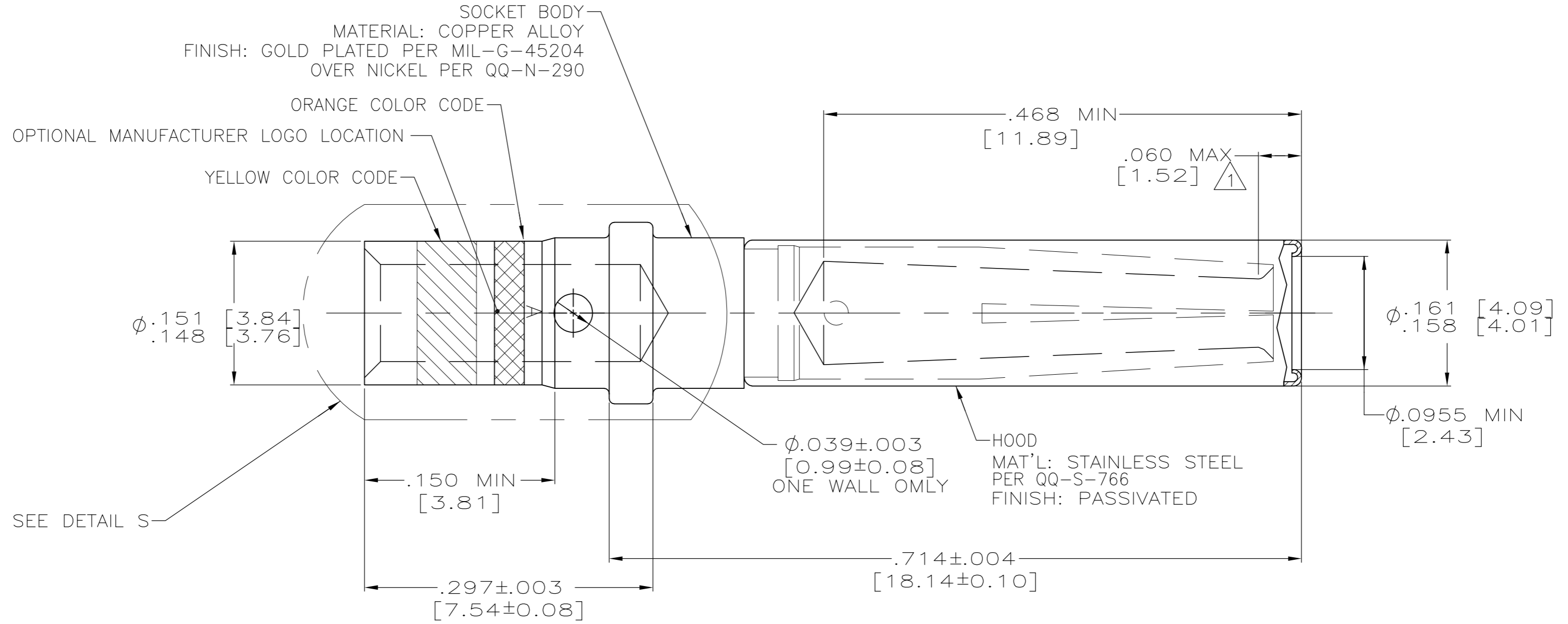


THIS DRAWING IS UNPUBLISHED. RELEASED FOR PUBLICATION
 © COPYRIGHT - By - ALL RIGHTS RESERVED.

REVISIONS				DATE	DWN	APVD
P	LTR	DESCRIPTION				
F		REV PER ECO 11-016604	8-16-11	CT	WB	

⚠ ELECTRICAL ENGAGEMENT POINT.



DETAIL A
 COLOR CODE
 (208273-4 ONLY)

SEE DETAIL A	208273-4
AS SHOWN	208273-2
REMARKS	PART NO.

THIS DRAWING IS A CONTROLLED DOCUMENT.		DWN	C.C.THOMAS	9/11/98	TE TE Connectivity	
DIMENSIONS: INCHES		CHK	S.GLATFELTER	9-14-98		
TOLERANCES UNLESS OTHERWISE SPECIFIED:		APVD	S.GLATFELTER	9-14-98	NAME	
0 PLC ± -		PRODUCT SPEC		SOCKET CONTACT ASSY, SIZE 12,ARINC 600		
1 PLC ± -		APPLICATION SPEC		SIZE	CAGE CODE	DRAWING NO
2 PLC ± -		WEIGHT		A2	00779	C=208273
3 PLC ± .005 [0.13]		MATERIAL		SCALE	SHEET	REV
4 PLC ± -		SEE CALLOUTS		10:1	1 of 1	F
ANGLES ± -		FINISH		CUSTOMER DRAWING		
SEE CALLOUTS		SEE CALLOUTS				