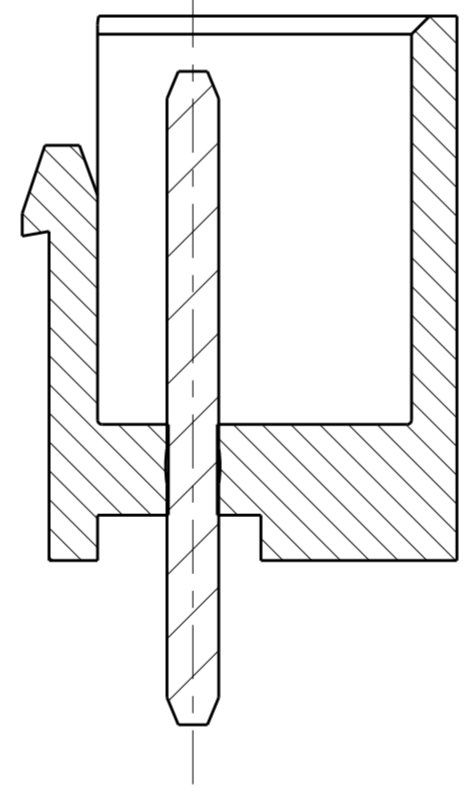
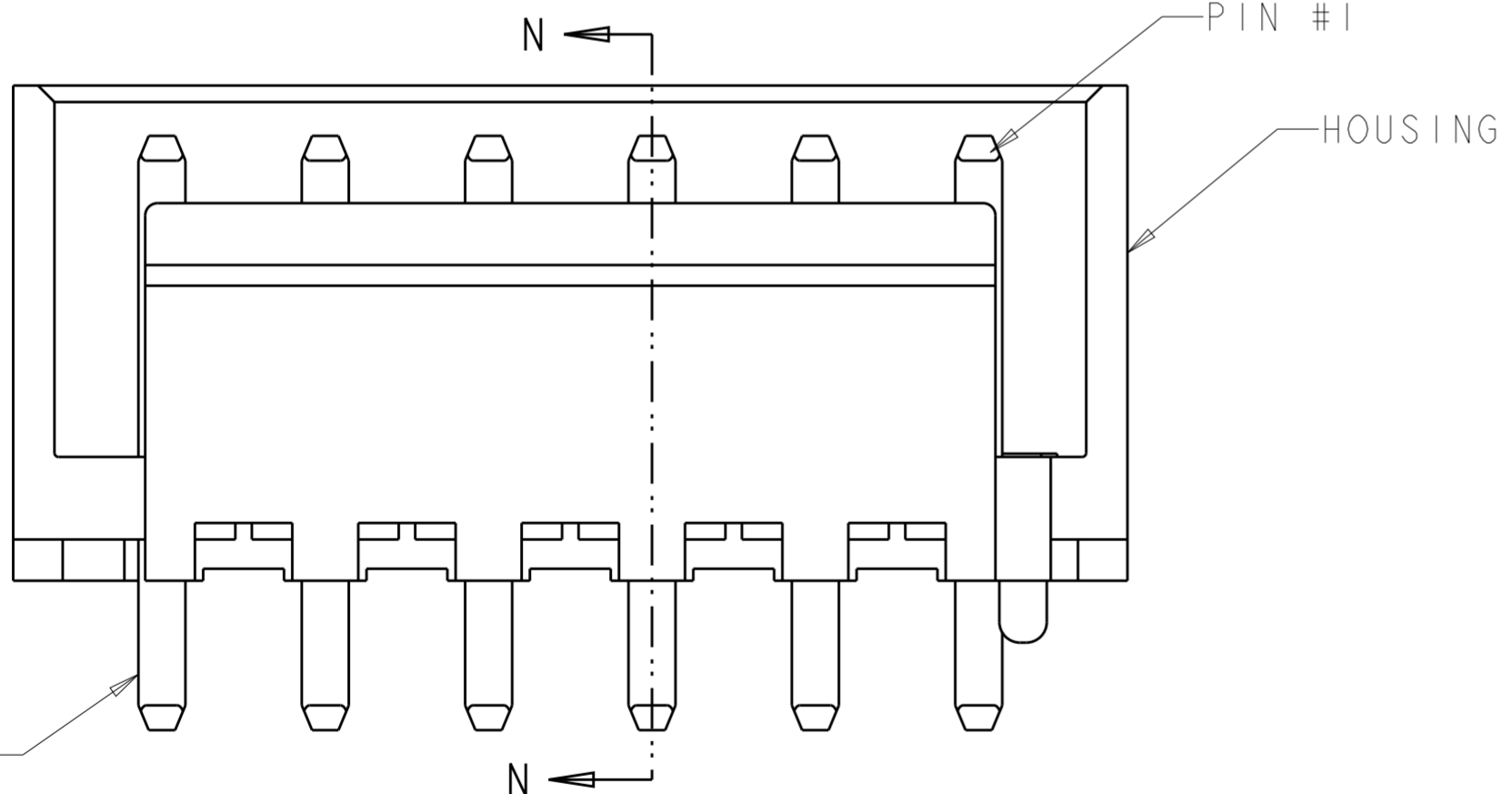
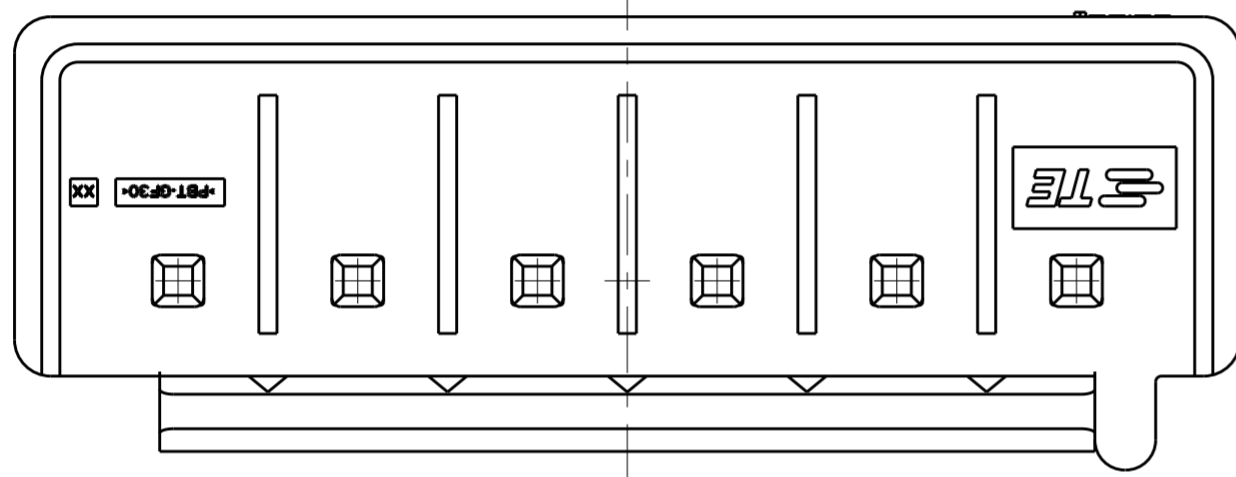
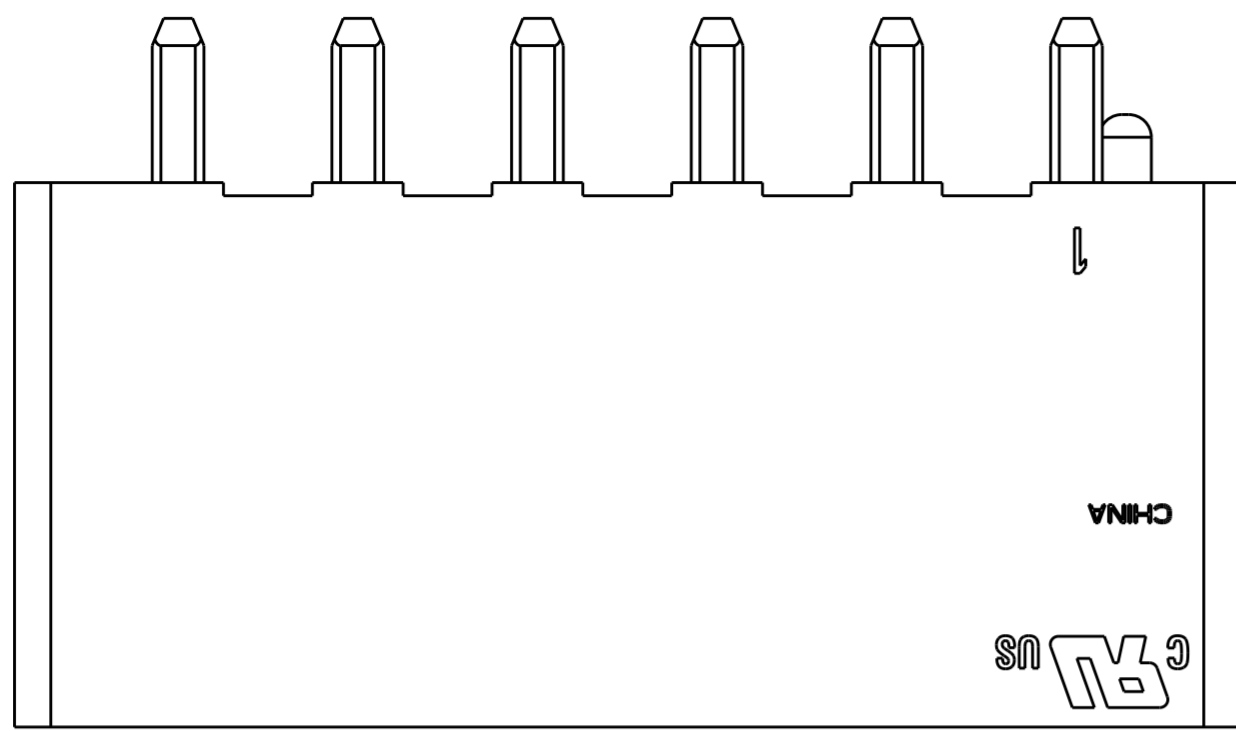


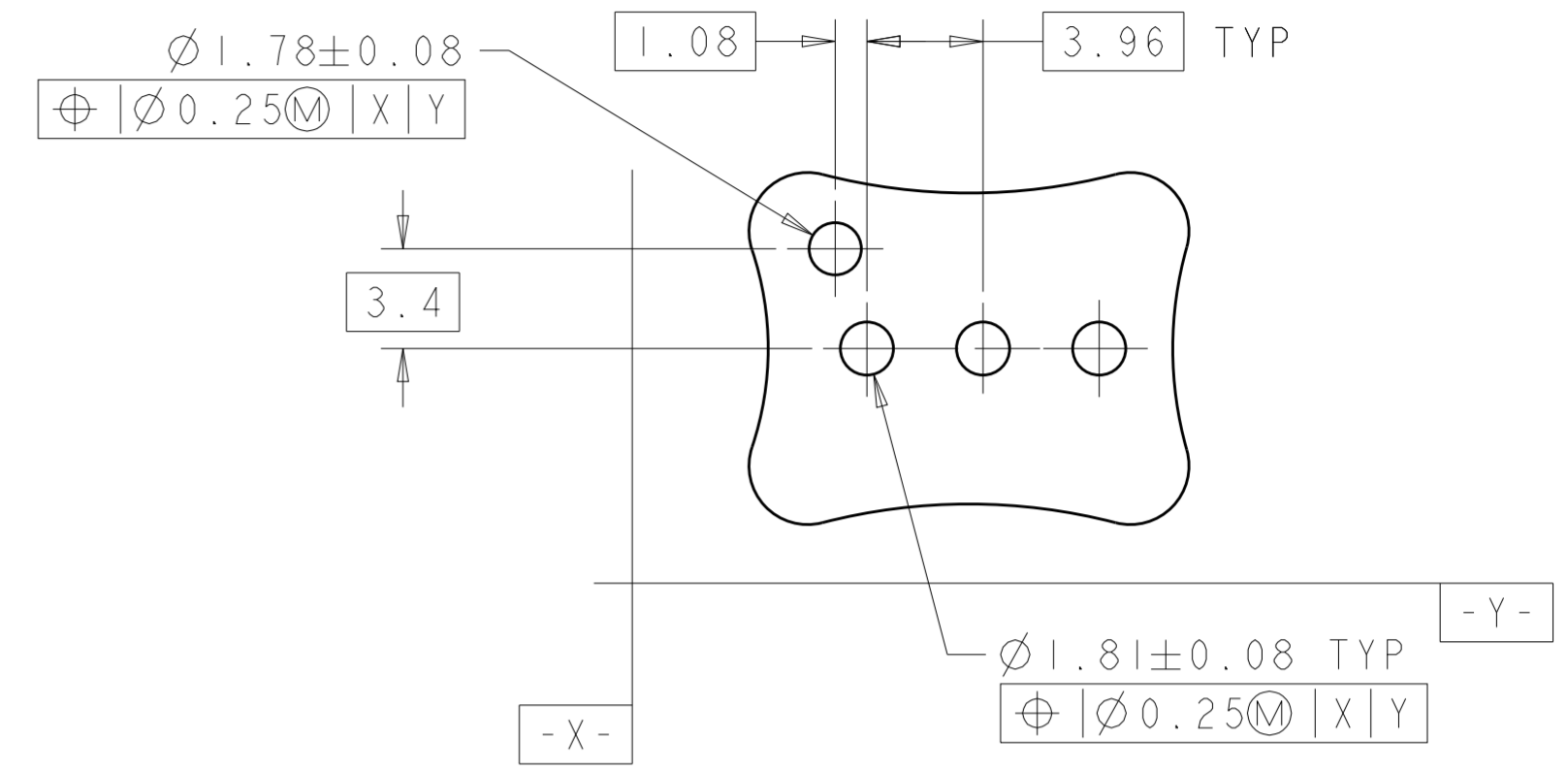
THIS DRAWING IS UNPUBLISHED. RELEASED FOR PUBLICATION 20  
 © COPYRIGHT 20 BY - ALL RIGHTS RESERVED.

LOC	DIST	REVISIONS					
GP	00	P	LTR	DESCRIPTION	DATE	DWN	APVD
			DI	REVISED PER ECR-16-017535	17JAN2017	O.C	D.Z

- 1 MATERIAL: HOUSING; PBT GLASS FILLED UL94V-0  
PIN; BRASS
- 2 FINISH: PIN, 1.0µm MIN TIN OVER 0.8µm MIN NICKEL.

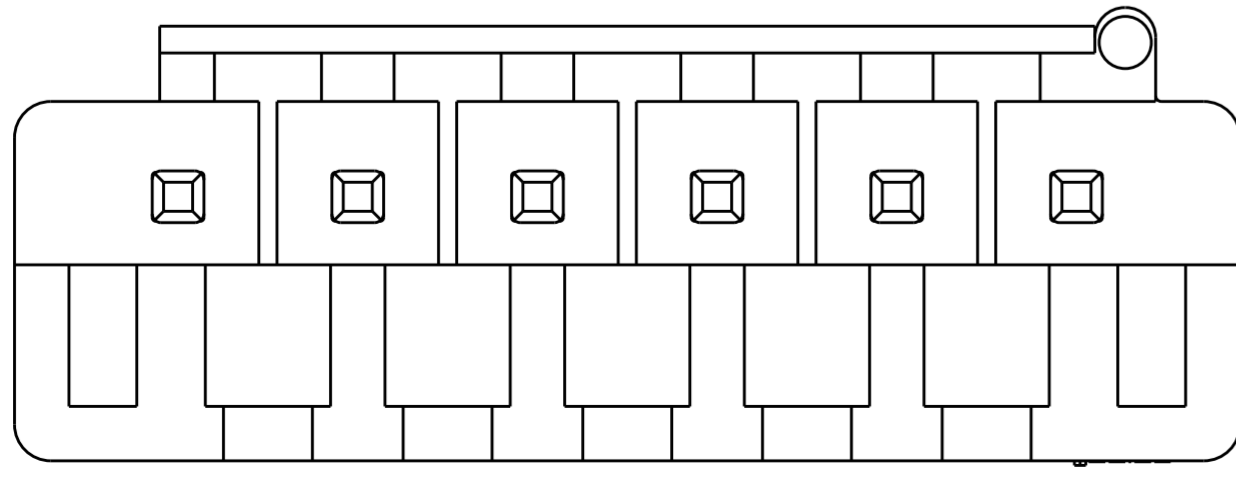


SECTION N-N



RECOMMENDED PCB LAYOUT  
SCALE 4:1

BLACK	50.77	12	3-1877285-2
BLACK	46.81	11	3-1877285-1
BLACK	42.85	10	3-1877285-0
BLACK	38.89	9	2-1877285-9
BLACK	34.93	8	2-1877285-8
BLACK	30.97	7	2-1877285-7
BLACK	27.01	6	2-1877285-6
BLACK	23.05	5	2-1877285-5
BLACK	19.09	4	2-1877285-4
BLACK	15.13	3	2-1877285-3
BLACK	11.17	2	2-1877285-2
WHITE	50.77	12	1-1877285-2
WHITE	46.81	11	1-1877285-1
WHITE	42.85	10	1-1877285-0
WHITE	38.89	9	1877285-9
WHITE	34.93	8	1877285-8
WHITE	30.97	7	1877285-7
WHITE	27.01	6	1877285-6
WHITE	23.05	5	1877285-5
WHITE	19.09	4	1877285-4
WHITE	15.13	3	1877285-3
WHITE	11.17	2	1877285-2
COLOR	DIM A	CKT	ASSEMBLY PART NO.



THIS DRAWING IS A CONTROLLED DOCUMENT.

DIMENSIONS:	TOLERANCES UNLESS OTHERWISE SPECIFIED:	DWN	03OCT2005	TE Connectivity
mm	0 PLC ±	W.G. LENKER	03OCT2005	
	1 PLC ±0.50	CHK	R. WALKER	
	2 PLC ±0.30	APVD	S. RIDGILL	
	3 PLC ±	PRODUCT SPEC	108-5609	NAME
	4 PLC ±	APPLICATION SPEC	-	SHROUDED HEADER ASSEMBLY, 2 THRU 12 POSITION, SINGLE LATCH, 3.96mm PITCH, ECONOMY POWER (EP)
MATERIAL	ANGLES ±	WEIGHT	-	SIZE
	FINISH ±	CUSTOMER DRAWING	A200779	CAGE CODE
		SCALE	6:1	DRAWING NO
		SHEET	1	RESTRICTED TO
		OF	1	REV
		REV	DI	