

Seal - HC-D 25-PR-DI - 1408054

Please be informed that the data shown in this PDF Document is generated from our Online Catalog. Please find the complete data in the user's documentation. Our General Terms of Use for Downloads are valid (<http://phoenixcontact.com/download>)



Replacement profile gasket for HC-D25 sleeve housing

RoHS

Key Commercial Data

Packing unit	1 STK
Minimum order quantity	10 STK
GTIN	 4 046356 526463
GTIN	4046356526463
Weight per Piece (excluding packing)	2.000 g
Custom tariff number	40169300
Country of origin	Germany

Technical data

Ambient conditions

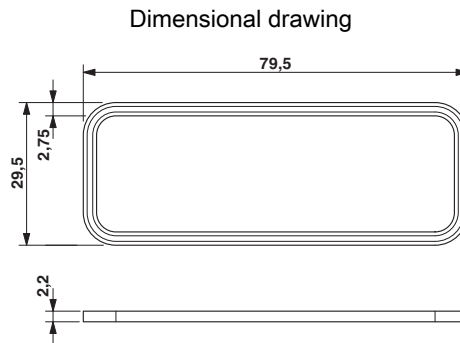
Ambient temperature (operation)	-40 °C ... 125 °C
---------------------------------	-------------------

General

Material	NBR
Assembly instructions	Profile gasket must be glued to the housing (e.g., Loctite 4204), not for ADVANCE housings or HC-...EMV housings.

Drawings

Seal - HC-D 25-PR-DI - 1408054



Classifications

eCl@ss

eCl@ss 4.0	27140816
eCl@ss 4.1	27140816
eCl@ss 5.0	27143424
eCl@ss 5.1	27143424
eCl@ss 6.0	27143424
eCl@ss 7.0	27440209
eCl@ss 8.0	23071590
eCl@ss 9.0	23071590

ETIM

ETIM 2.0	EC001121
ETIM 3.0	EC001121
ETIM 4.0	EC001181
ETIM 5.0	EC001181

UNSPSC

UNSPSC 6.01	30211817
UNSPSC 7.0901	39121416
UNSPSC 11	43172601
UNSPSC 12.01	39121522
UNSPSC 13.2	39121421

Approvals

Approvals

Approvals


EAC

Seal - HC-D 25-PR-DI - 1408054

Approvals

Ex Approvals

Approval details

EAC		RU C- DE.AI30.B.01102
-----	---	--------------------------
