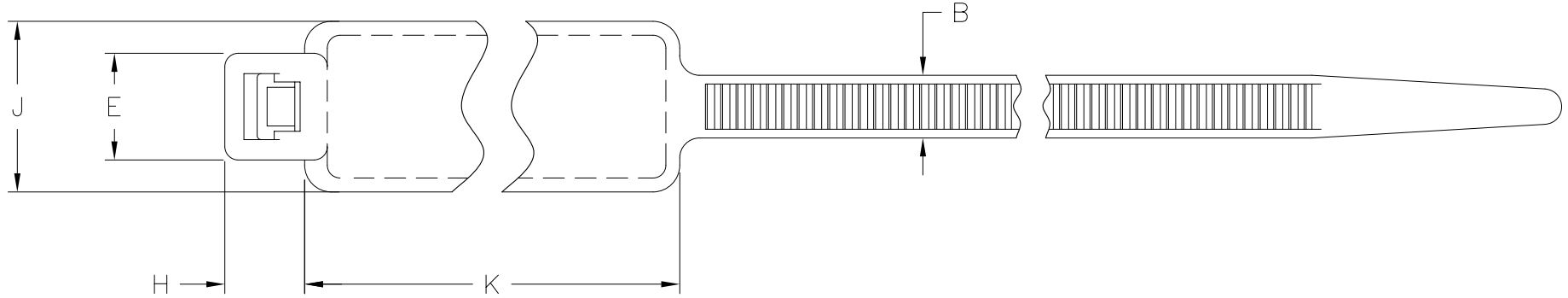
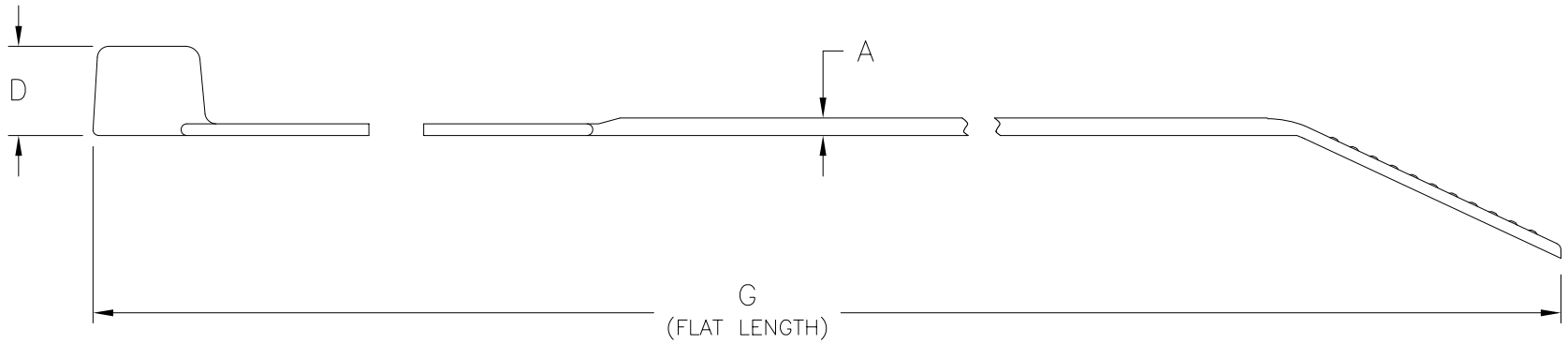


Revision level		Revision Record	Changed	Date	Approved	Date
part	drawing					
-	03	See ECN 003891	A.A.C.	06/04/03		



03

03

Group Unique Numbers	Product Code	Cable Range (mm)	Material	A	B	D	E	G	H	J	K	Min Loop Tensile Strength (newtons)
-	IT50L_	19 to 100	PA66	1.4 ±0.2	4.7±0.2	5.2 ±0.5	8.0 ±0.5	390.0 ±10.0	6.0 ±0.5	12.8 ±0.5	56.0 ±0.5	225

SEE CHART

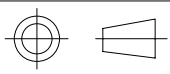
Material

Dimension tolerances unless otherwise specified
 .XXXX =
 .XXX =
 .XX =
 .X = NOTED
 < =

Dimension Units mm

PERFORMANCE SPECIFICATION

ACAD 2004



Drawn G. GEIGER 10/10/91
 Approved K.A.C 06/12/03

Scale 2:1
 Computer File Number CT\CST\2050018_03

ALL PROPRIETARY RIGHTS IN THE SUBJECT MATTER SHOWN ON THIS DRAWING ARE EXCLUSIVE PROPERTY OF HELLERMANN TYTON

HellermannTyton®
 7930 N. Faulkner Rd.
 Milwaukee, WI 53224
 Ph: (414) 355-1130
 Fx: (414) 362-8338

IT50L IDENTIFICATION TIE

Drawing-No **CT2050018CST**

Format AH
 Sheet 1 of 1