

Current and Voltage Controls

1-Phase AC Over Current

Type EIS

CARLO GAVAZZI



- 2-wire connection
- Self-powered
- 2 types of input: 2 - 20 AAC or 5 - 50 AAC
- Knob-adjustable set-point
- Output: Normally open, 100 mA
- For mounting on DIN-rail in accordance with DIN/EN 50 022
- 22.5 mm small Euronorm housing

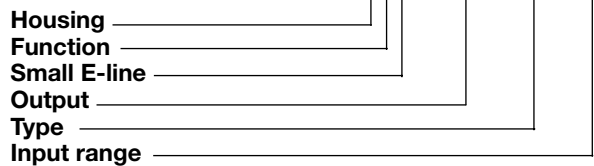
Product Description

Small current transformer with adjustable set-point and with integrated output circuit. Self-powered and 2-wire connection for easy use.

12 mm hole for isolated current carrying wire makes it suitable for most applications. For mounting on DIN-rail or directly on surface by screws.

Ordering Key

EIS NNO A 20A



Type Selection

Input current	Type no.
2 - 20 AAC	EIS NNO A 20A
5 - 50 AAC	EIS NNO A 50A

Output Specifications

Output	Transistor, NO
Output current Maximum load current	100 mA
Leakage current	≤ 100 μA
Max. voltage	40 VDC
Voltage drop (U _d)	< 2.5 VDC

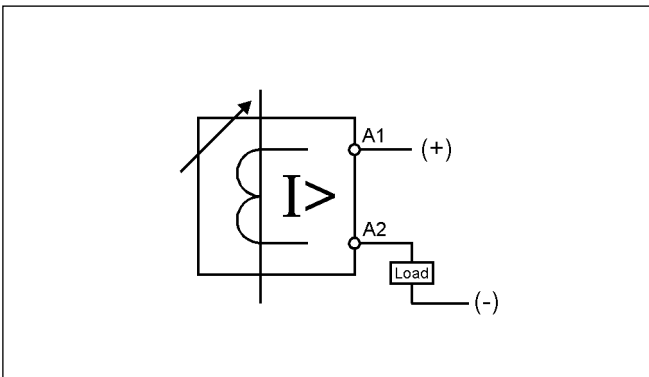
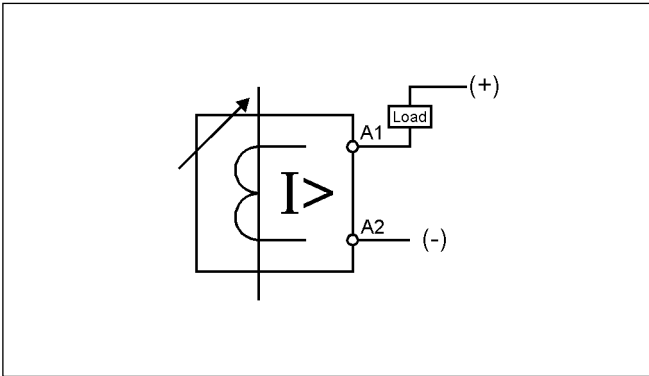
Input Specifications

	EIS NNO A 20A	EIS NNO A 50A
Current range	2 - 20 AAC @ 50 Hz (1.6 - 16 AAC @ 60 Hz) (1.6 - 13 AAC @ 400 Hz)	5 - 50 AAC @ 50 Hz (4 - 40 AAC @ 60 Hz) (4 - 32 AAC @ 400 Hz)
Max. current (continuously)	40 AAC	100 AAC
Max. overload current (t = 30 s)	200 AAC	200 AAC

General Specifications

EMC	Electromagnetic Compatibility acc. to IEC 60801-2, level 3 acc. to IEC 60801-3, level 3 acc. to IEC 60801-4, level 3 acc. to IEC 60801-5, level 3	Environment Degree of protection Pollution degree Operating temperature	IP 20 3 -20 to +50°C (-4 to +122°F)
Immunity		Weight	70 g
Range accuracy	-0/+15% on max.	Terminal capacity	2 x 1.5 mm ² wires in each
Hysteresis (Differential travel)	7 - 13% of setpoint	Dimensions	49 x 22.5 x 56 mm (LxWxH)
Frequency range	45 - 400 Hz		
Temperature variation	±0.20%/°C of setpoint		
Reaction time	τ < 150 ms worst case reaction time may be up to 5 x τ		

Wiring Diagrams



Operation Diagram

