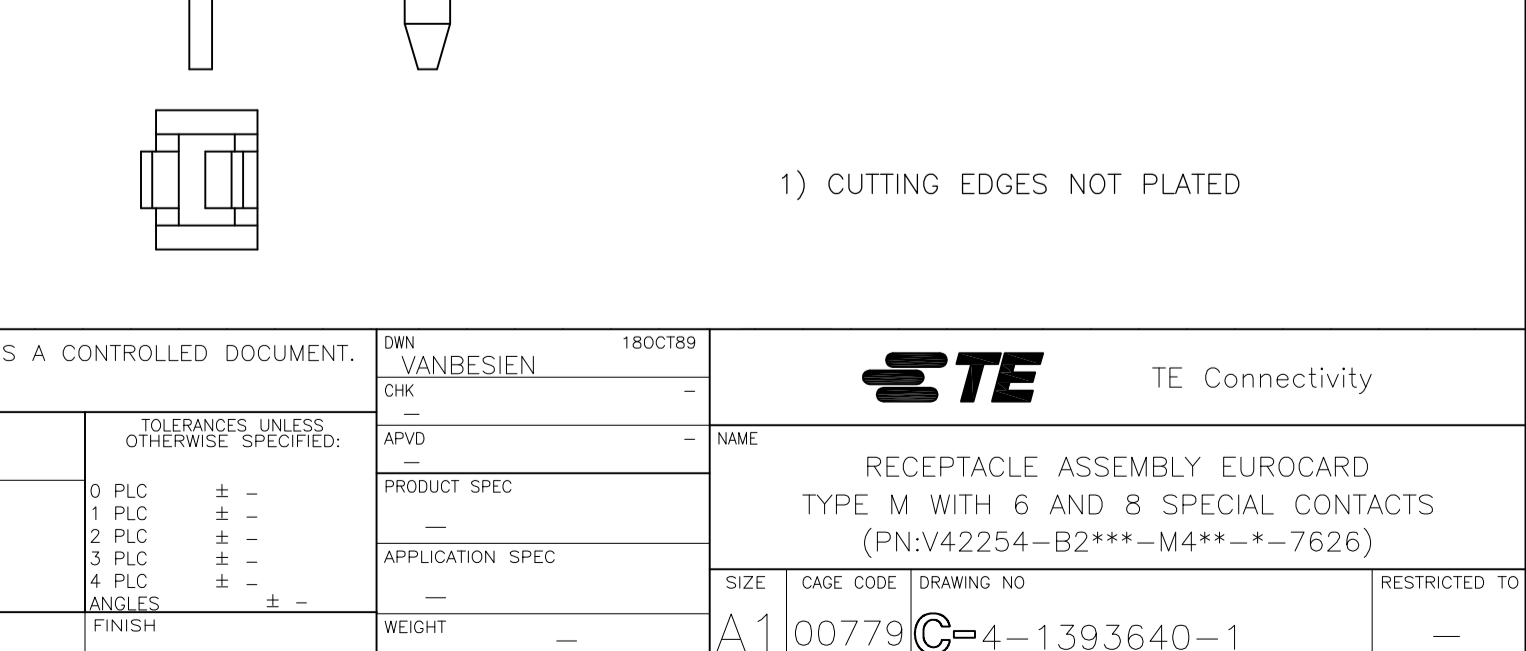
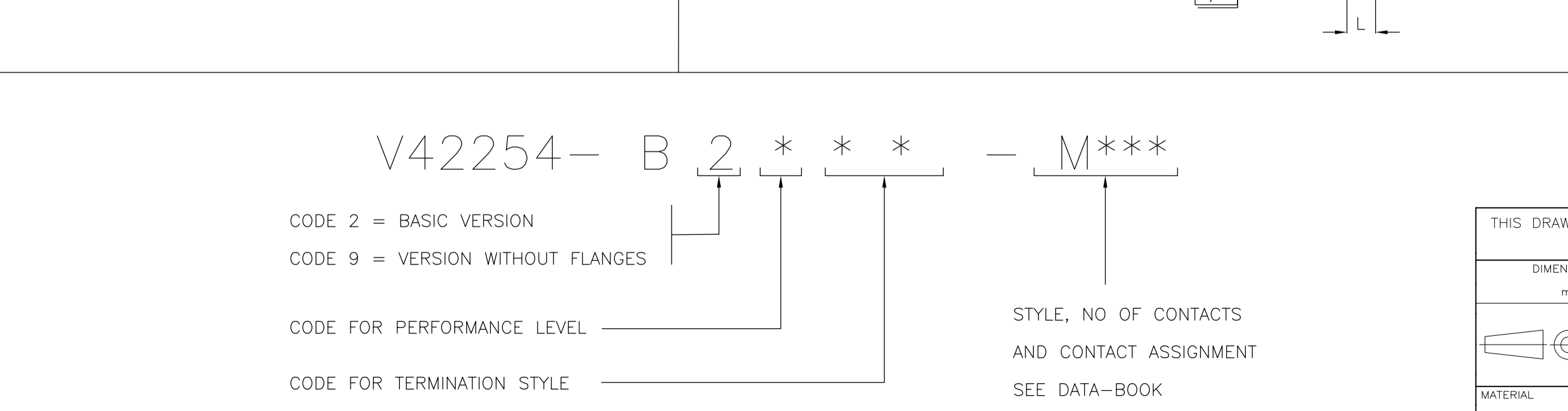
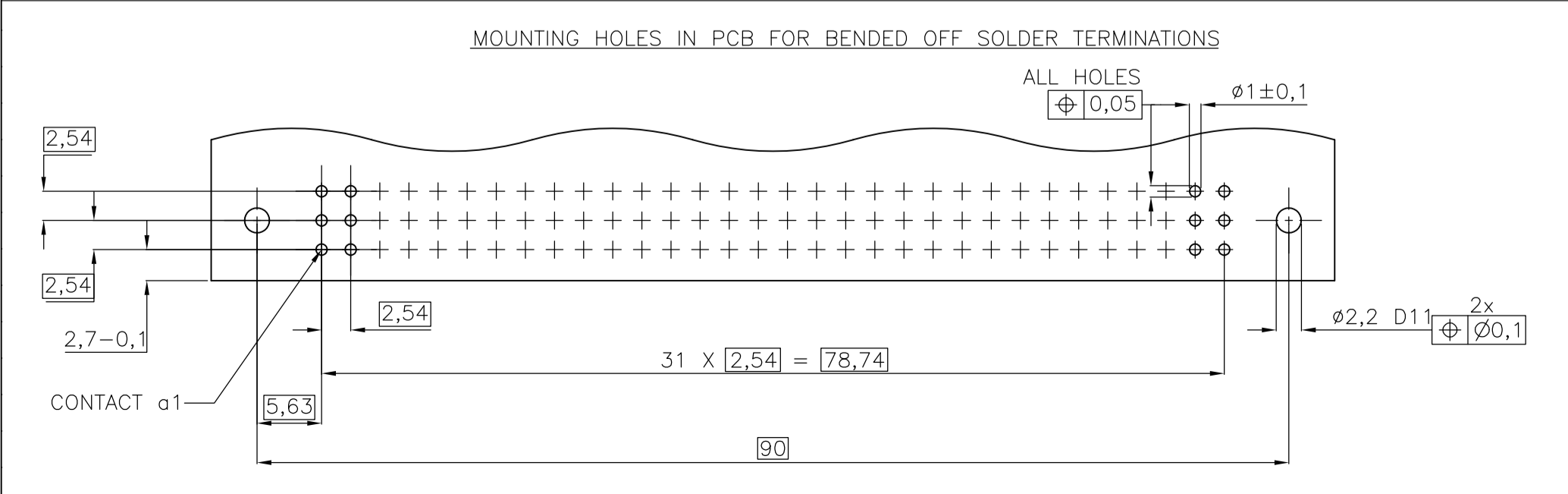
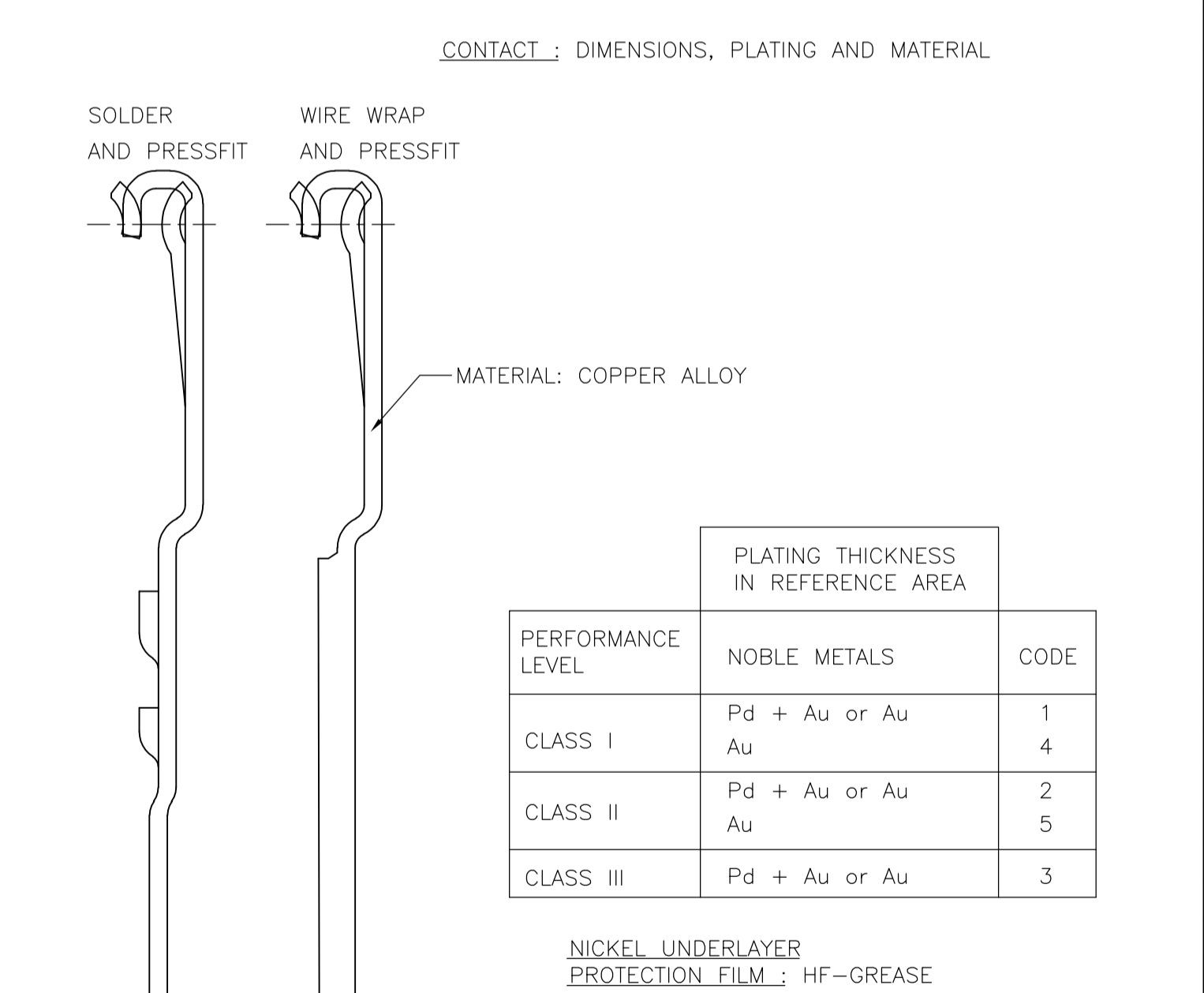
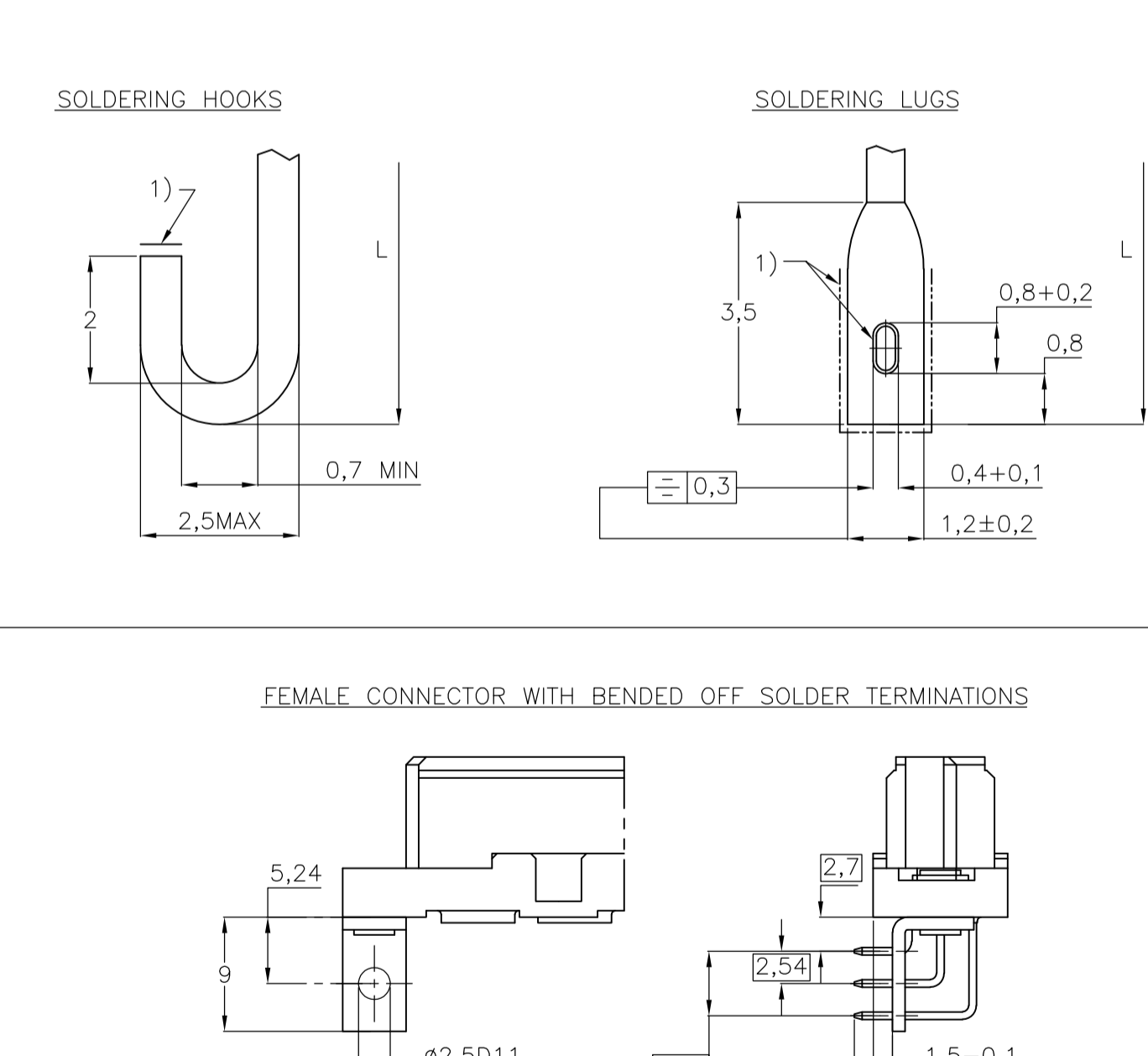
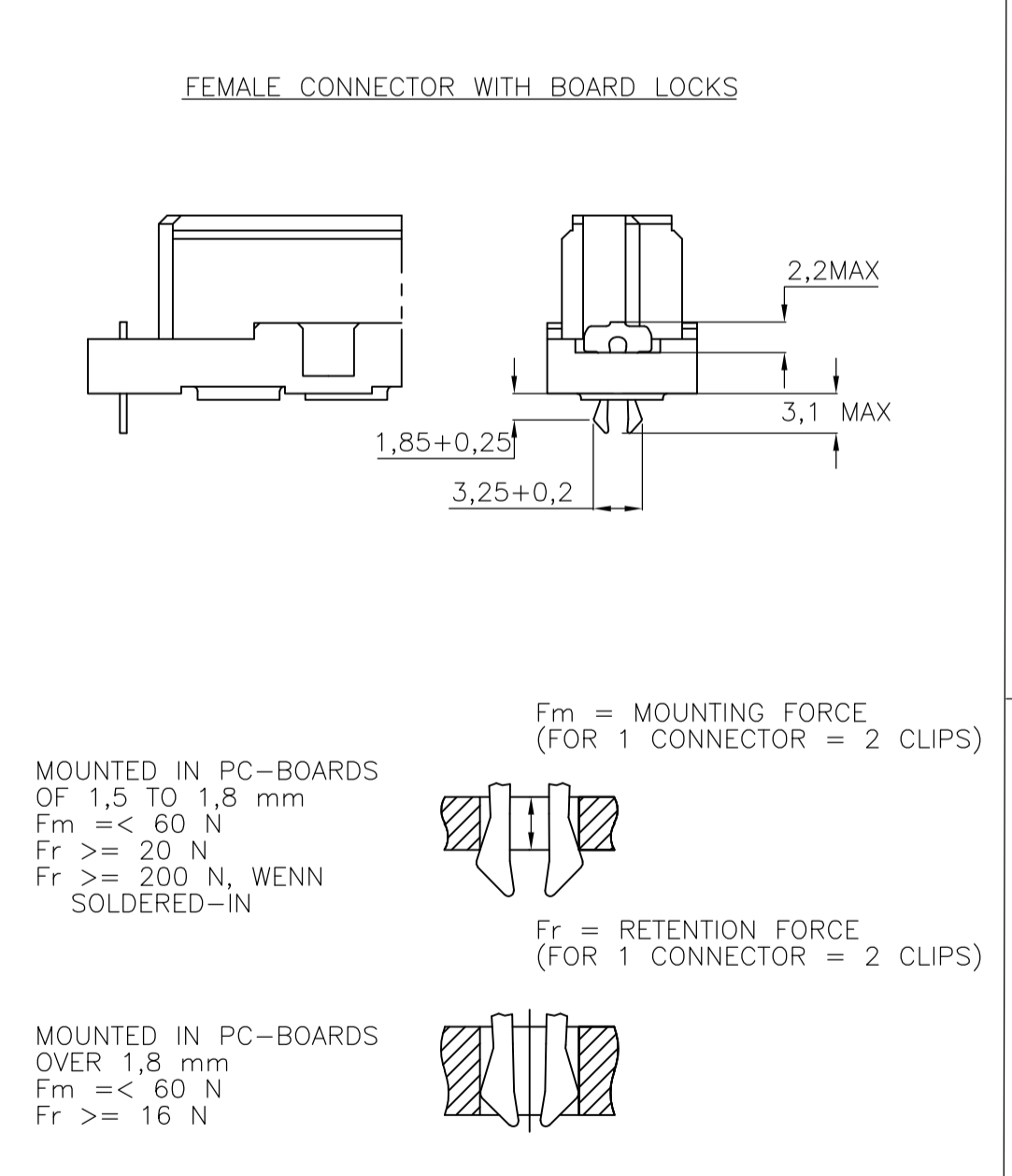
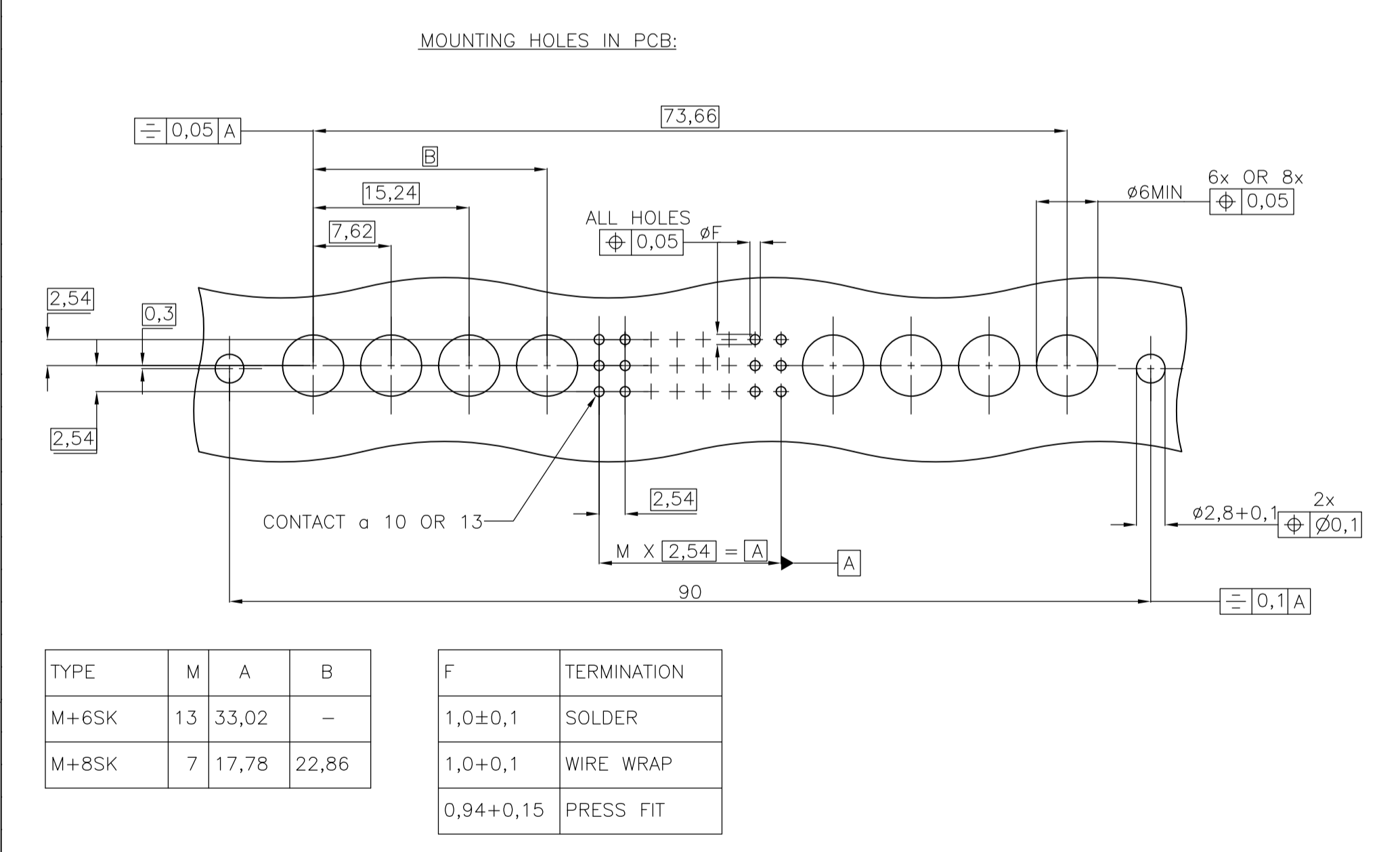


REVISONS		DATE	DMN	APVD
B4	ECR-08-012253	30-10-08	AEG	MKO
B5	ECR-10-003044	02JUN10	RK	MKG
B6	ECR-10-026542	27MAY11	KK	HMR

TERMINATION STYLES		L	CODE
SOLDER TERMINATIONS		2,9±0,3	01
		3,7±0,3	05
		4,5±0,3	02
WIRE WRAP		6,3±0,3	03
		7,3±0,3	04
SOLDERING-HOOKS		13±0,5	40
		5,5±0,3	30
SOLDERING-LUGS		10-0,5	35
		5,5±0,3	10-0,5
SOLDER BENDED OFF		3-0,4	10
		1,55-0,4	00

TERMINATION WITH GALVANIC SN PLATING

BURRHEITG MAX. 0,02  
RADIUS OF EDGES MAX. 0,05



V42254 - B 2 \* \* \* - M\*\*\*

CODE 2 = BASIC VERSION  
CODE 9 = VERSION WITHOUT FLANGES  
CODE FOR PERFORMANCE LEVEL  
CODE FOR TERMINATION STYLE

STYLE, NO OF CONTACTS AND CONTACT ASSIGNMENT  
SEE DATA-BOOK

DIMENSIONS: mm		TOLERANCES UNLESS OTHERWISE SPECIFIED:		MATERIAL		FINISH	
0 PLC	±	0	±	0	±	0	±
1 PLC	±	0	±	0	±	0	±
2 PLC	±	0	±	0	±	0	±
3 PLC	±	0	±	0	±	0	±
4 PLC	±	0	±	0	±	0	±
ANGLES	±	0	±	0	±	0	±

THIS DRAWING IS A CONTROLLED DOCUMENT. DIN VANBESJEN 18OCT89

RECEPTACLE ASSEMBLY EUROCARD  
TYPE M WITH 6 AND 8 SPECIAL CONTACTS  
(PN:V42254-B2\*\*\*-M4\*\*\*-7626)

SIZE A1  
SCALE NTS  
SHEET 1 OF 2  
REV B6

PRODUCT DESCRIPTION CODE	TE PN	STYLE & NUMBER OF POSITIONS	TERMINATION POSTS	LOADED ROWS	PERFORMANCE LEVEL	BOARD LOCKS
V42254-B2101-M420	1-1393640-3	M42+6	2,9MM STRAIGHT SOLDER LEADS	EVERY ROW , EVERY PITCH	1	NO OBSOLETE
V42254-B2110-M240	4-1393640-1	M24+8	RIGHT-ANGLE SOLDER LEADS WITH MOUNTING BRACKET	EVERY ROW , EVERY PITCH	1	NO OBSOLETE
V42254-B2110-M420	4-1393640-2	M42+6	RIGHT-ANGLE SOLDER LEADS WITH MOUNTING BRACKET	EVERY ROW , EVERY PITCH	1	NO
V42254-B2135-M240	5-1393640-3	M24+8	5,5 / 10MM SOLDER LUGS	EVERY ROW , EVERY PITCH	1	NO OBSOLETE
V42254-B2135-M420	5-1393640-4	M42+6	5,5 / 10MM SOLDER LUGS	EVERY ROW , EVERY PITCH	1	NO OBSOLETE
V42254-B2140-M240	6-1393640-4	M24+8	13MM STRAIGHT WIRE-WRAP PINS	EVERY ROW , EVERY PITCH	1	NO OBSOLETE
V42254-B2140-M420	6-1393640-5	M42+6	13MM STRAIGHT WIRE-WRAP PINS	EVERY ROW , EVERY PITCH	1	NO OBSOLETE
V42254-B2201-M240	9-1393640-7	M24+8	2,9MM STRAIGHT SOLDER LEADS	EVERY ROW , EVERY PITCH	2	NO OBSOLETE
V42254-B2201-M410	9-1393640-9	M42+6	2,9MM STRAIGHT SOLDER LEADS	EVERY ROW , EVERY PITCH	2	YES OBSOLETE
V42254-B2201-M420	1393641-1	M42+6	2,9MM STRAIGHT SOLDER LEADS	EVERY ROW , EVERY PITCH	2	NO OBSOLETE
V42254-B2201-M423	1393641-2	M42+6	2,9MM STRAIGHT SOLDER LEADS	ROW A+C , EVERY PITCH	2	NO OBSOLETE
V42254-B2202-M240	4-1393641-2	M24+8	4,5MM STRAIGHT SOLDER LEADS	EVERY ROW , EVERY PITCH	2	NO OBSOLETE
V42254-B2202-M420	4-1393641-4	M42+6	4,5MM STRAIGHT SOLDER LEADS	EVERY ROW , EVERY PITCH	2	NO OBSOLETE
V42254-B2202-M420B	4-1393641-5	M42+6	4,5MM STRAIGHT SOLDER LEADS	EVERY ROW , EVERY PITCH	2	NO OBSOLETE
V42254-B2203-M240	6-1393641-0	M24+8	6,3MM STRAIGHT SOLDER LEADS	EVERY ROW , EVERY PITCH	2	NO OBSOLETE
V42254-B2240-M240	2-1393642-3	M24+8	13MM STRAIGHT WIRE-WRAP PINS	EVERY ROW , EVERY PITCH	2	NO OBSOLETE
V42254-B2240-M420	2-1393642-5	M42+6	13MM STRAIGHT WIRE-WRAP PINS	EVERY ROW , EVERY PITCH	2	NO OBSOLETE

1)

1) ACCORDING TO BT 236 LEVEL 2.

ACTIVE PART NUMBERS.  
CONTACT TYCO ELECTRONICS FOR OTHER CONFIGURATION AVAILABILITY

THIS DRAWING IS A CONTROLLED DOCUMENT.		DIN 180CT89	VANBESJEN	
DIMENSIONS: mm		TOLERANCES UNLESS OTHERWISE SPECIFIED:	STE TE Connectivity	
		0 PLC ± -	RECEPTACLE ASSEMBLY EUROCARD	
		1 PLC ± -	TYPE M WITH 6 AND 8 SPECIAL CONTACTS	
		2 PLC ± -	(PN:V42254-B2***-M4***-7626)	
		3 PLC ± -	APPLICATION SPEC	
		4 PLC ± -	SIZE A1	
		ANGLES ± -	CAGE CODE 4-1393640-1	
MATERIAL		FINISH	WEIGHT	
			CUSTOMER DRAWING	
			SCALE NTS SHEET 2 OF 2 REV B6	