

CGA3E3C0G2E122J080AE

TDK Item Description : CGA3E3C0G2E122JT***S



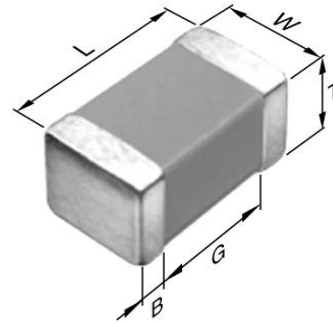
Equivalent C1608C0G2E122J for Automotive

Application & Main Feature

Automotive Grade (Soft Termination)

Series

CGA3(1608) CC0603]



Dimensions

L	1.60mm +0.2,-0.1mm
W	0.80mm +0.15,-0.1mm
T	0.80mm +0.15,-0.1mm
B	0.20mm Min.
G	0.30mm Min.

Temperature Characteristic

C0G (-55 to 125 degC 0+/-30ppm/degC)

Rated Voltage

2E (250Vdc)

Capacitance

1.2nF

Capacitance Tolerance

J (+/-5%)

Q Factor

1000 Min.

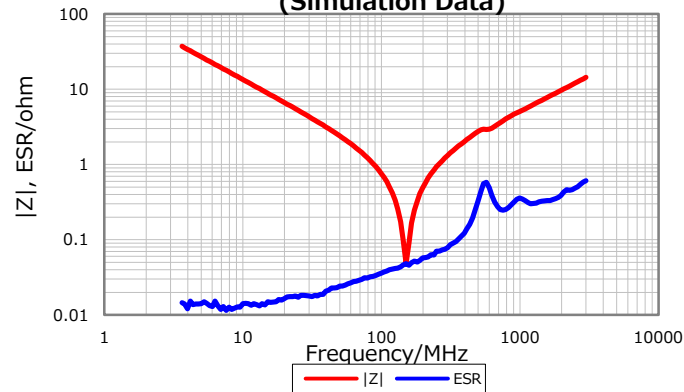
Insulation Resistance

10Gohm Min

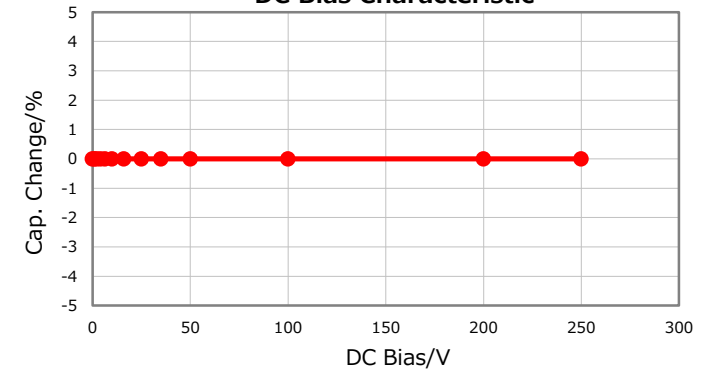
AEC-Q200

Yes

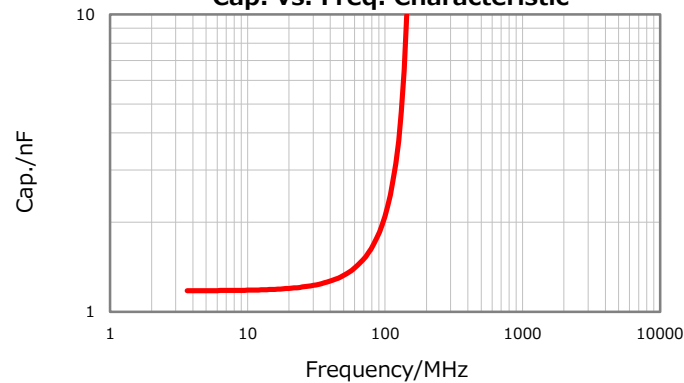
**|Z|, ESR vs. Freq. Characteristics
(Simulation Data)**



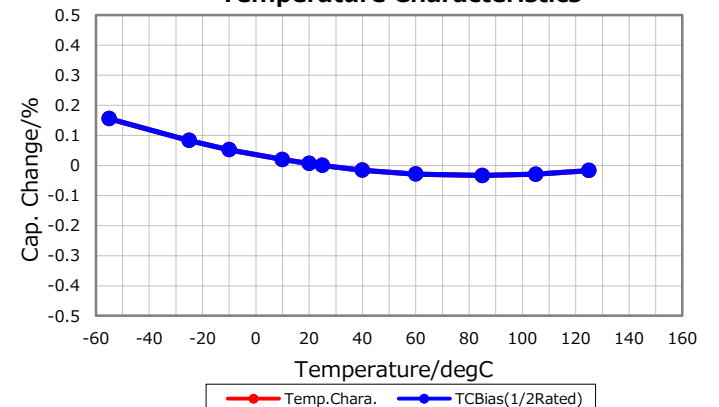
DC Bias Characteristic



Cap. vs. Freq. Characteristic



Temperature Characteristics



Characterization Sheet (Multilayer Ceramic Chip Capacitors)



All specifications are subject to change without notice.

May 12, 2017