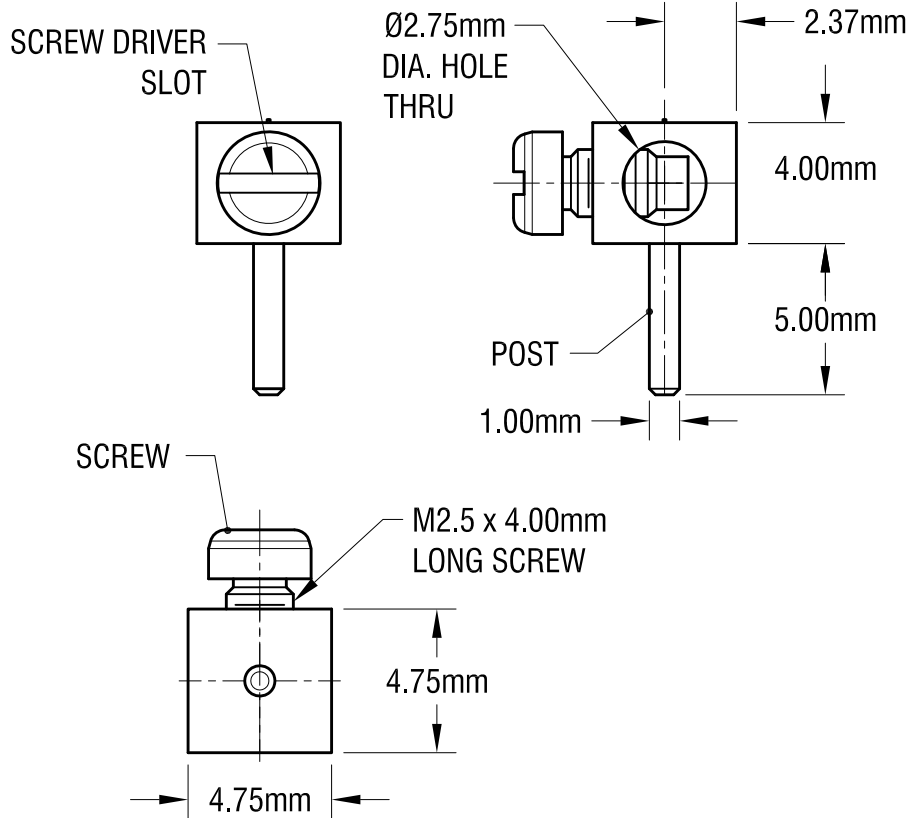


ACTUAL SIZE



NOTE:

1. POST: MAT'L- BRASS
FINISH- TIN PLATE
2. SCREW: MAT'L STEEL
FINISH- ZINC PLATE
3. SUGGESTED MOUNTING HOLE: 1.17mm DIA.
4. SUPPLIED ASSEMBLED
5. ALL DIMENSIONS ARE IN MILLIMETERS.

KEYSTONE ELECTRONICS CORP.			
www.keyelco.com • ASTORIA, N.Y. 11105-2017 • Tel (718) 956-8900			
PART NAME			
METRIC MINIATURE BINDING POST			
MATERIAL			
AS NOTED			
FINISH		DRN BY	DATE
AS NOTED		NT	7.13.16
		APP'D	SCALE
		LN	4X
TOLERANCES	INCH	[MM]	CODE
DECIMAL	±	[± 0.13]	C
ANGULAR	± 1°		
UNLESS OTHERWISE SPECIFIED			
DWG NO.		8734	

DATE	DESCRIPTION	REV.	