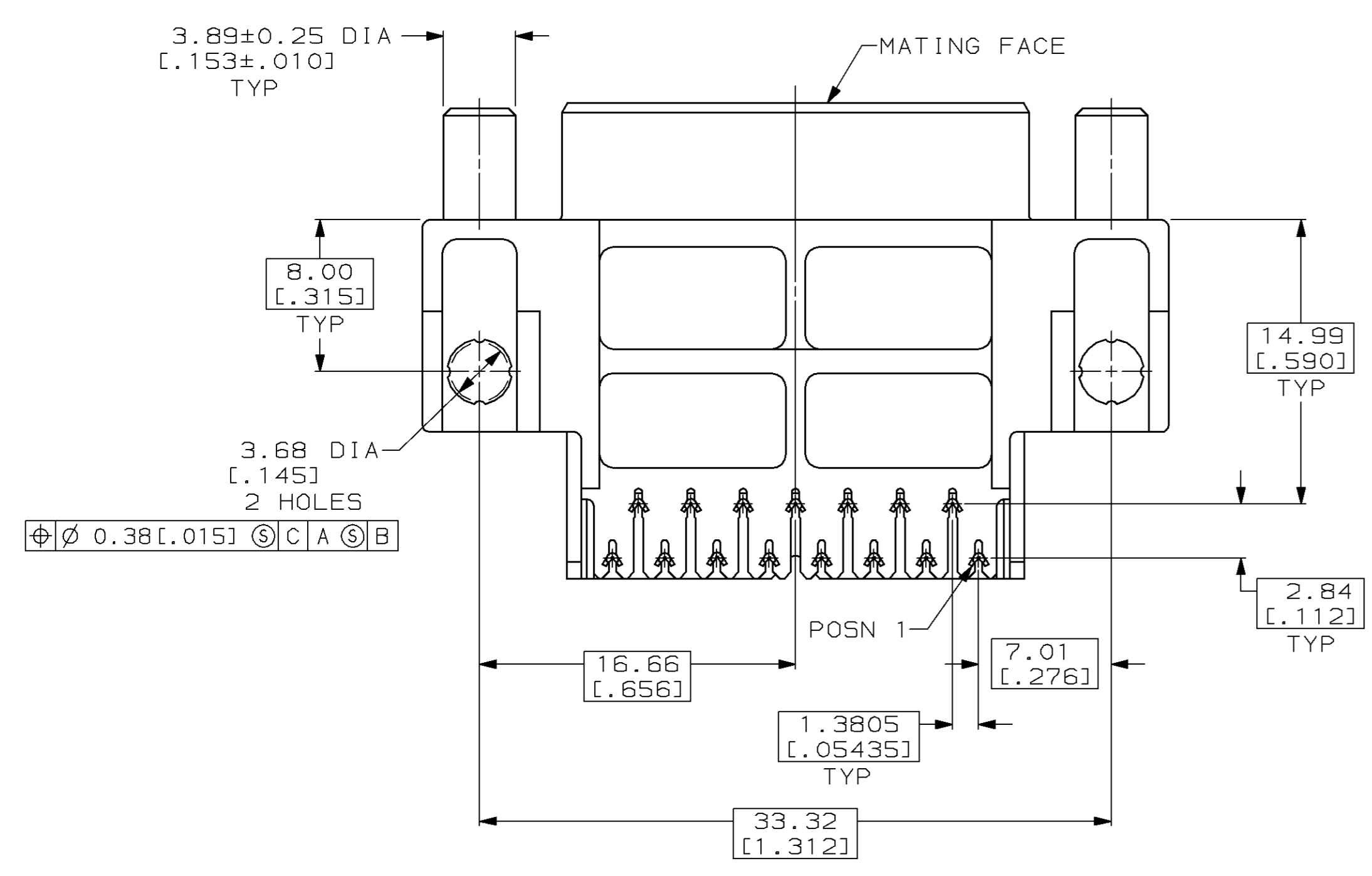
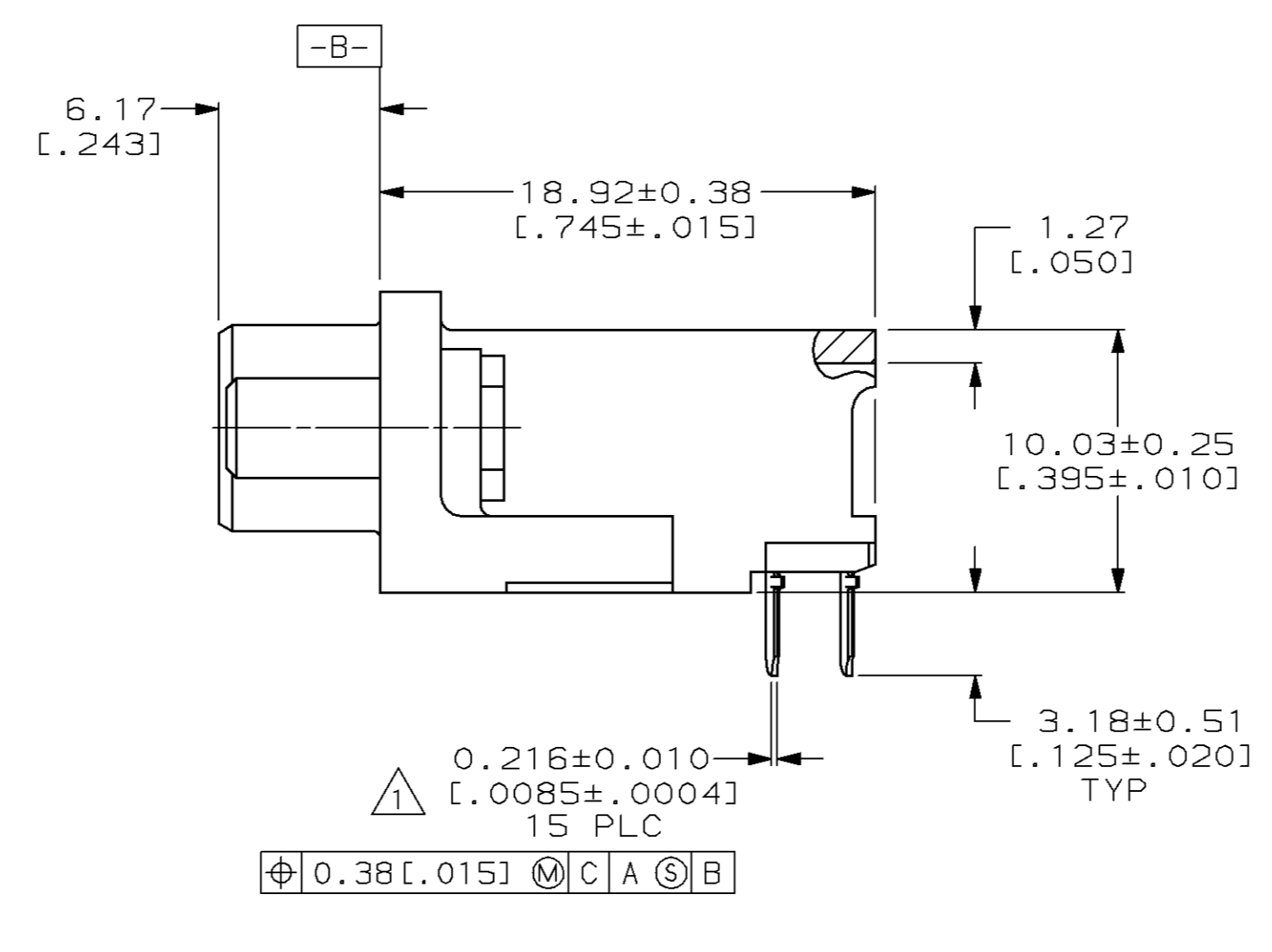
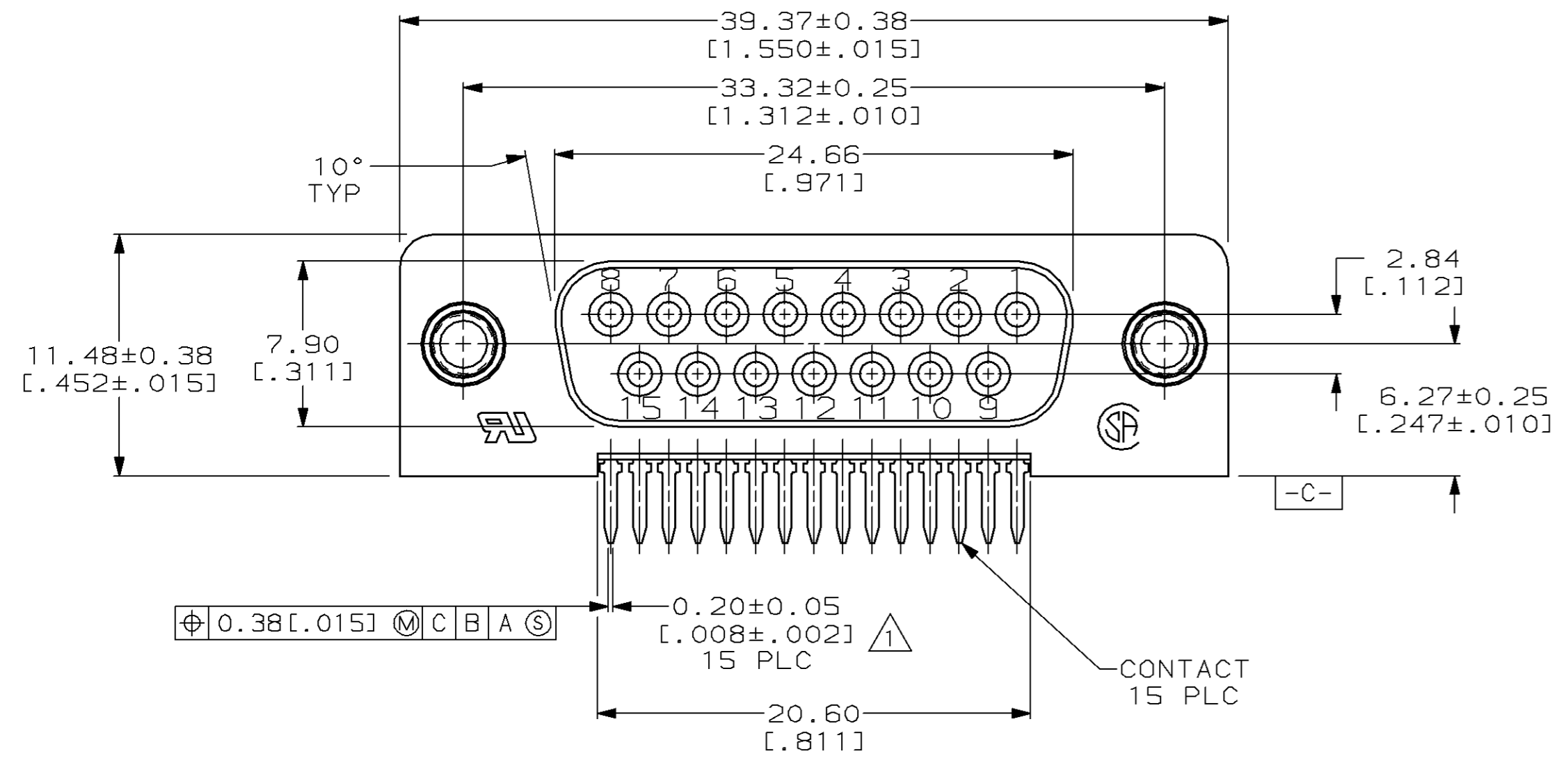
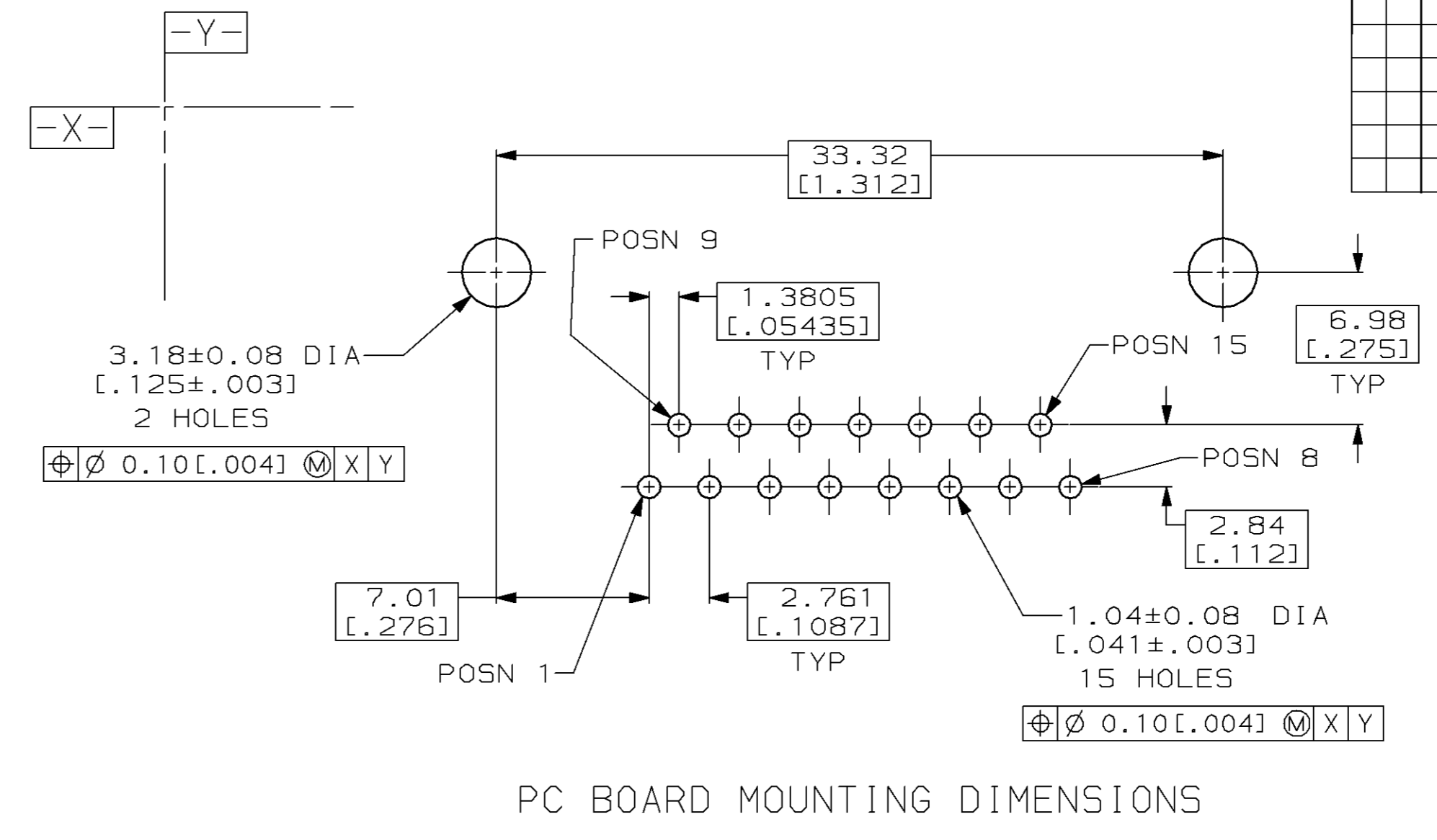
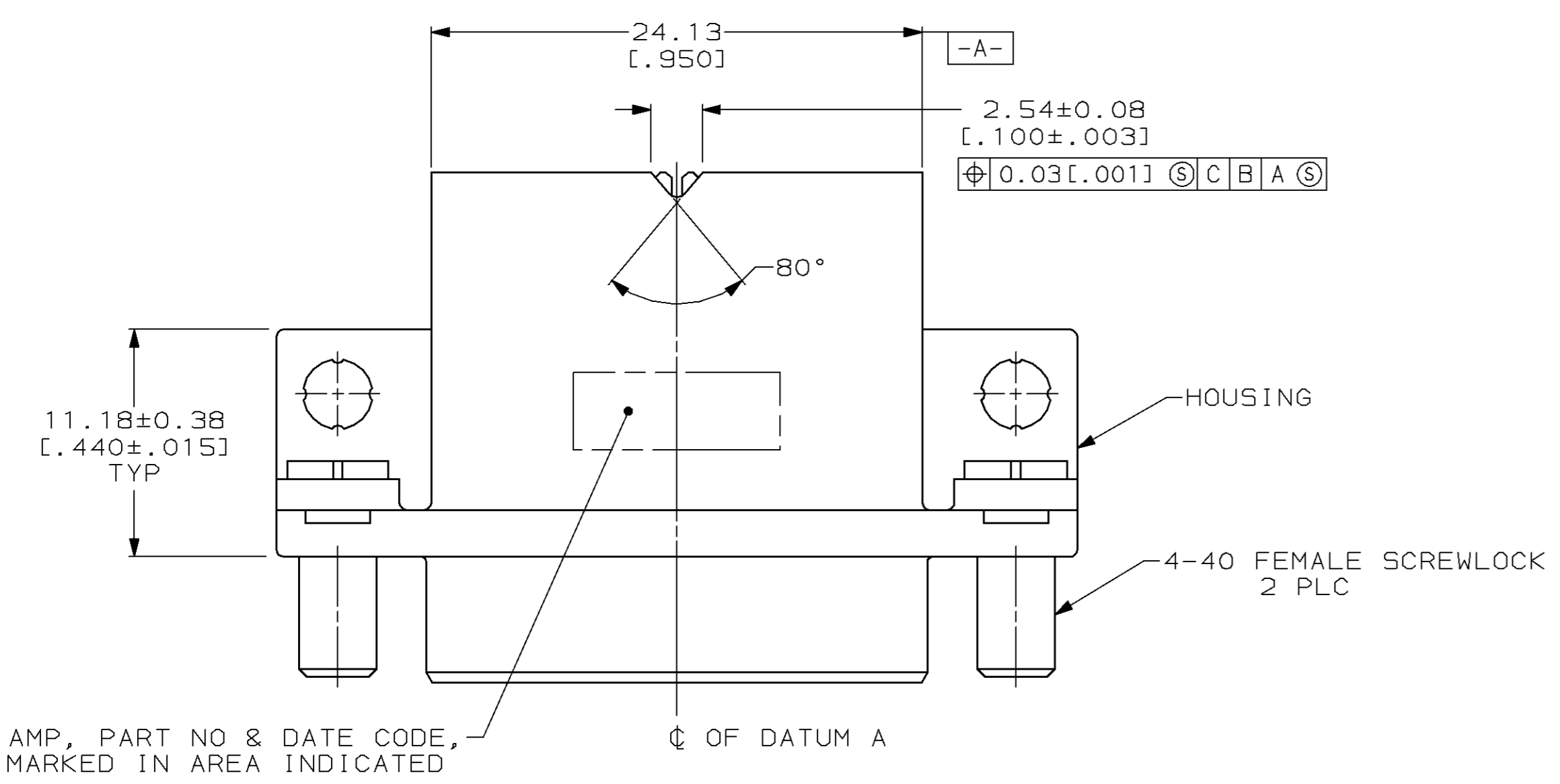


LOC	DIST	P	F	ZONE	LTR	DESCRIPTION	DATE	APPD
BD	77							
					B	REV & RDWN ECN BD3365 & BD3478	10/10/88	-
					C	REV PER ECN BD4319	09/05/90	PAK
					D	REVISED PER ECN BD5477	01/28/92	CR
					E	OBS-3, SUPERSEDED-2 PER ECN BD6410	03/28/93	CR
					F	REV PER EC 0020-1053-95	05 JAN 96	RLT
					G	REV PER EC 0420-59-96	20 SEP 96	RT



- 1 POSITION TOLERANCE APPLIES AT TIP ONLY.
- 2 NYLON OR POLYESTER, UL94V-0, BLACK.
- 3 PHOSPHOR BRONZE PER QQ-B-750.
- 4 GOLD PLATING PER MIL-G-45204, NICKEL PLATING PER QQ-N-290, TIN PLATING PER MIL-T-10727.
- 5 0.76 μm [0.00030] MIN GOLD FOR A LENGTH OF 1.52 [0.060] MIN FROM MATING END, 3.05 μm [0.000120] MIN TIN-LEAD FOR A LENGTH OF 3.68 [1.145] MIN FROM OPPOSITE END, BOTH OVER 1.27 μm [0.00050] MIN NICKEL.
- 6 GOLD FLASH FOR A LENGTH OF 1.52 [0.060] MIN FROM MATING END, 3.05 μm [0.000120] MIN TIN-LEAD FOR A LENGTH OF 3.68 [1.145] MIN FROM OPPOSITE END, BOTH OVER 1.27 μm [0.00050] MIN NICKEL.
- 7 0.25 μm [0.00010] MIN GOLD FOR A LENGTH OF 1.52 [0.060] MIN FROM MATING END, 3.05 μm [0.000120] MIN TIN-LEAD FOR A LENGTH OF 3.68 [1.145] MIN FROM OPPOSITE END, BOTH OVER 1.27 μm [0.00050] MIN NICKEL.

OBSOLETE	748948-3
SUPERSEDED BY 747460-5	748948-2
	748948-1

DO NOT SCALE PRINT. UNLESS SPECIFIED DIMENSIONS IN mm [INCHES] TOLERANCES ON: 2 PLC DEC ± 0.13 [0.005] 3 PLC DEC ± - ANGLES ± 2°	DR 10/10/89 S. WELDON	AMP AMP INCORPORATED Harrisburg, Pa. 17105 NAME RECEPTACLE ASSEMBLY, SIZE 2, 15 POSN, ALL PLASTIC, RIGHT ANGLE, .590 SERIES, AMPLIMITE® III NOT THE LATEST REVISION
MATERIAL HOUSING: 2 CONTACTS: 3 SCREWLOCKS: ZINC	APPD - PRODUCT SPEC 108-1226	
FINISH 4 CONTACTS: SEE TABLE SCREWLOCKS: CLEAR CHROMATE	APPLICATION SPEC 114-40027	SIZE D CAGE CODE 00779 DRAWING NO. 748948 SCALE 4:1 SHEET 1 OF 1