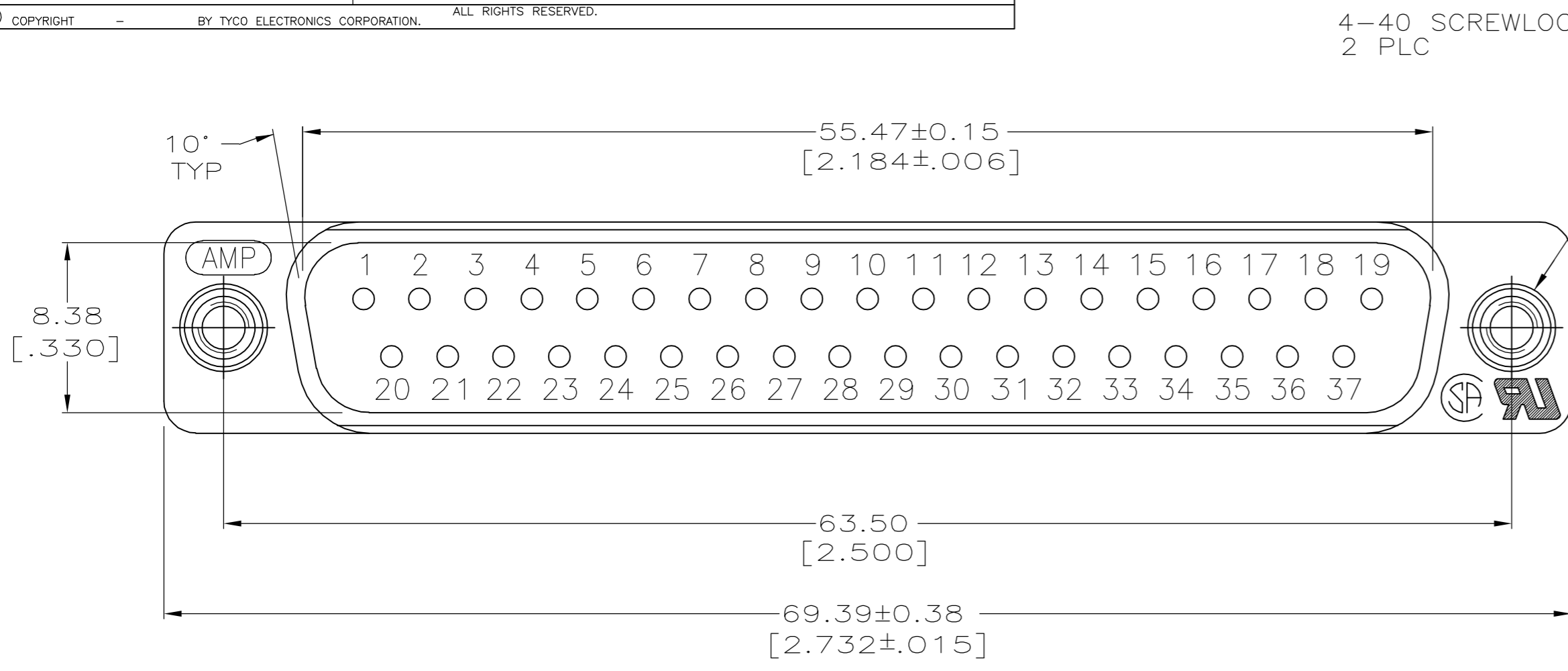
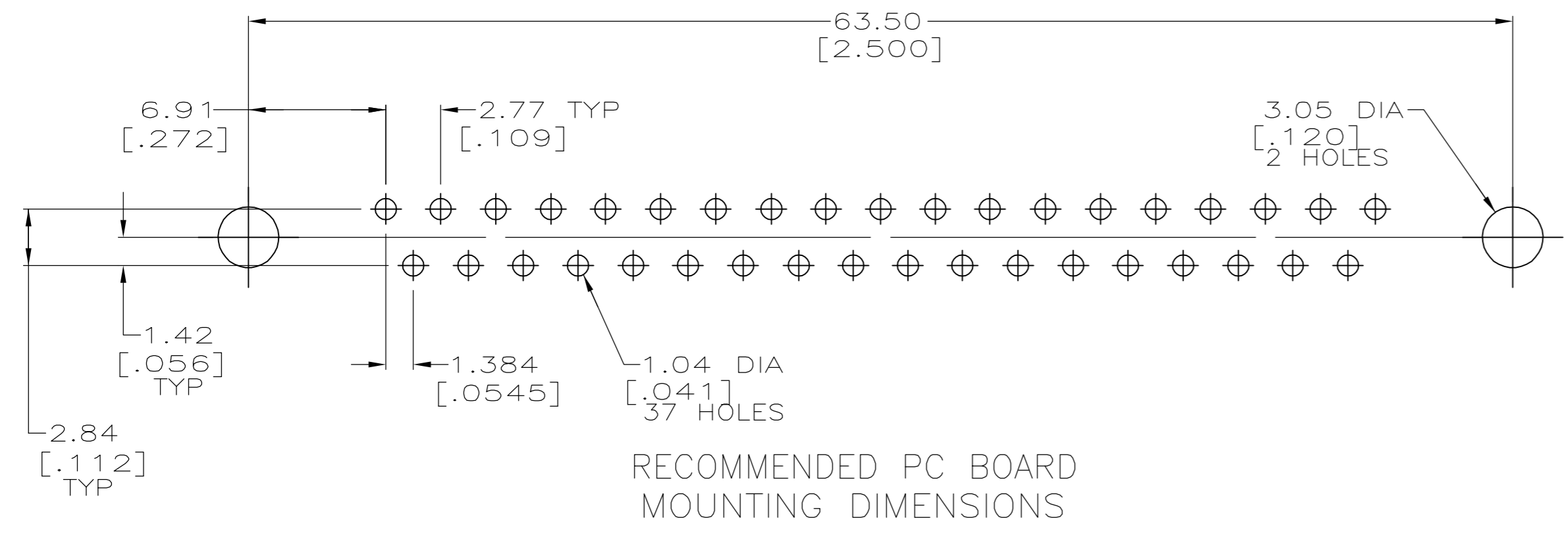
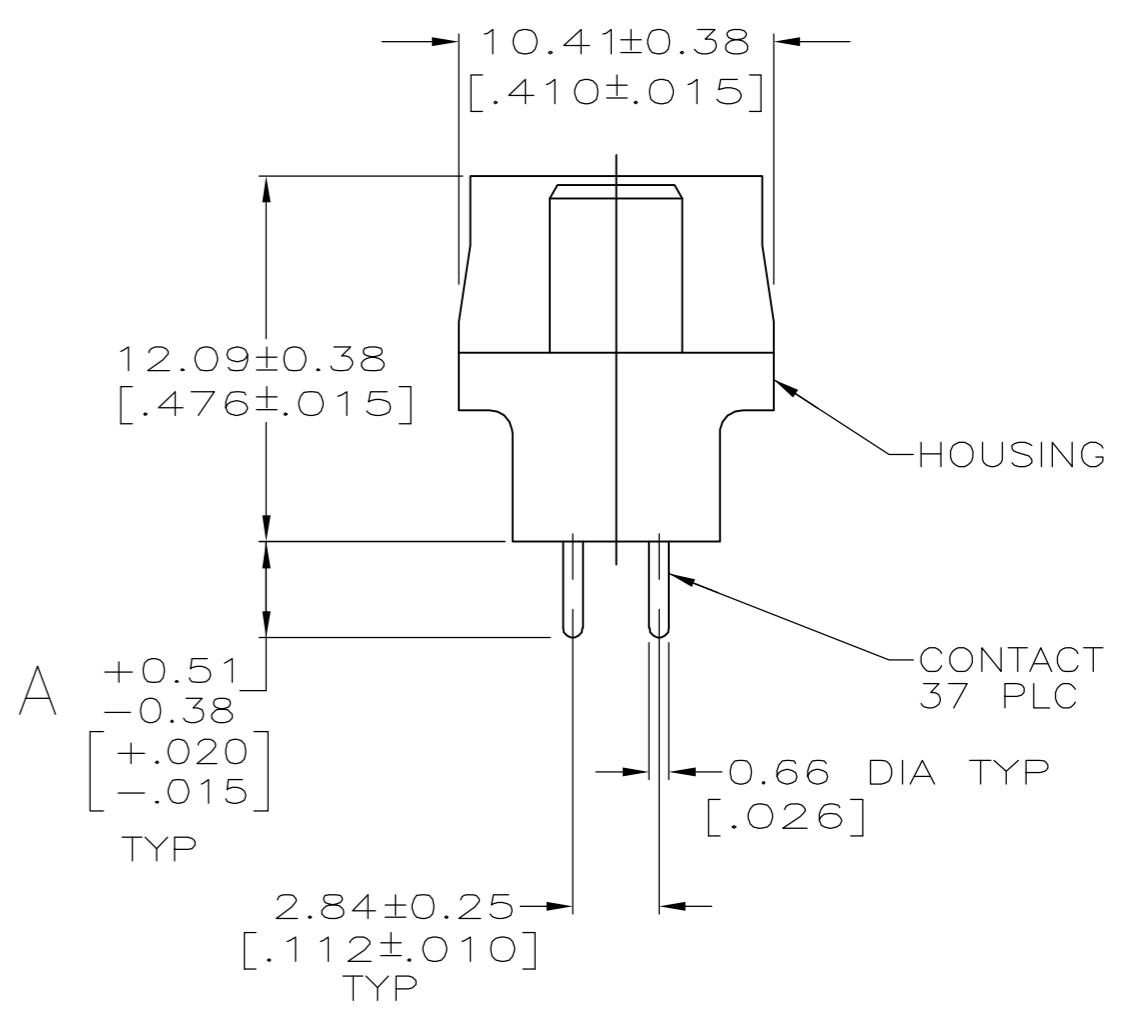
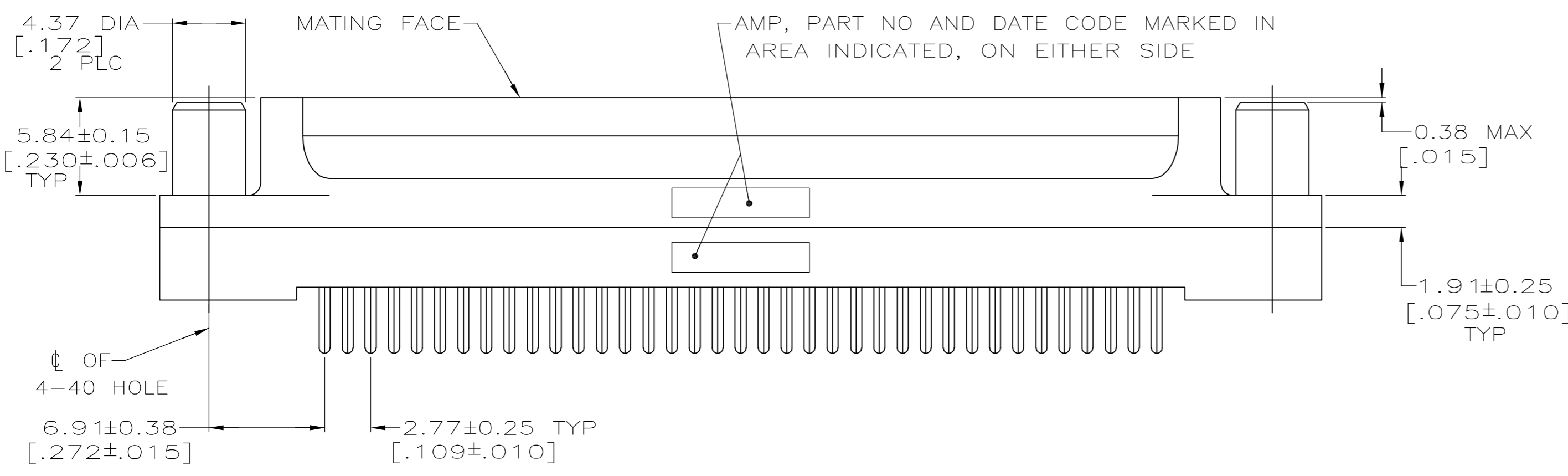


THIS DRAWING IS UNPUBLISHED. RELEASED FOR PUBLICATION  
 © COPYRIGHT BY TYCO ELECTRONICS CORPORATION. ALL RIGHTS RESERVED.

LOC	DIST	REVISIONS					
GP	00	P	LTR	DESCRIPTION	DATE	DWN	APVD
		H		REVISED PER ECO-028338	11/DEC/06	ZMR	EDB



- 1 HOUSING: BLACK POLYESTER, UL 94V-0 RATED; CONTACTS: BRASS SCREWLOCK: BRASS
- 2 GOLD PLATED FOR LENGTH OF 3.81 [.150] MIN FROM MATING END, GOLD FLASH IN MATED AREA, 2.54µm [.000100] MIN TIN OR TIN-LEAD FOR A LENGTH OF DIMENSION A FROM OPPOSITE END, BOTH OVER 1.27µm [.000050] MIN NICKEL.
- 3 GOLD PLATED FOR LENGTH OF 3.81 [.150] MIN FROM MATING END, 0.76µm [.000030] MIN GOLD IN MATED AREA, 2.54µm [.000100] MIN TIN OR TIN-LEAD FOR A LENGTH OF DIMENSION A FROM OPPOSITE END, BOTH OVER 1.27µm [.000050] MIN NICKEL.  
-OR-  
GOLD FLASH OVER PALLADIUM NICKEL FOR A LENGTH OF 3.81 [.150] MIN FROM MATING END, 0.76µm [.000030] MIN PALLADIUM NICKEL IN MATED AREA, 2.54µm [.000100] MIN TIN OR TIN-LEAD FOR A LENGTH OF DIMENSION A FROM OPPOSITE END, BOTH OVER 1.27µm [.000050] MIN NICKEL.
- 4 1.27µm [.000050] MIN NICKEL OVER COPPER FLASH.



RECOMMENDED PC BOARD MOUNTING DIMENSIONS

OBSOLETE	6.35	[.250]	3	745074-6
OBSOLETE	6.35	[.250]	2	745074-5
	4.32	[.170]	3	745074-4
OBSOLETE	4.32	[.170]	2	745074-3
	3.18	[.125]	3	745074-2
	3.18	[.125]	2	745074-1
	DIMENSION A		CONTACT FINISH	PART NUMBER

THIS DRAWING IS A CONTROLLED DOCUMENT.		DWN	J McCLINTON	11-15-89	<b>tyco</b> Electronics	Tyco Electronics Corporation		
DIMENSIONS: mm [INCHES]		CHK	R.STONE	2-1-90		Harrisburg, PA 17105-3608		
TOLERANCES UNLESS OTHERWISE SPECIFIED:		APVD	C. ROHDE	2-2-90	NAME			
0 PLC	± -	PRODUCT SPEC		108-40025				
1 PLC	± -	APPLICATION SPEC		-				
2 PLC	± 0.13 [.005]	WEIGHT		-				
3 PLC	± -	CUSTOMER DRAWING		-				
4 PLC	± -	SCALE		4:1				
ANGLES	± 2°	SHEET		1 of 1				
MATERIAL	FINISH SCREWLOCK 4	CONTACT: SEE TABLE		SIZE		CAGE CODE	DRAWING NO	RESTRICTED TO
				A2		00779	C=745074	-