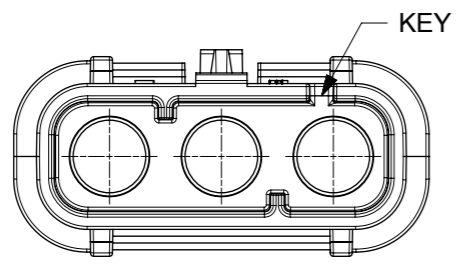
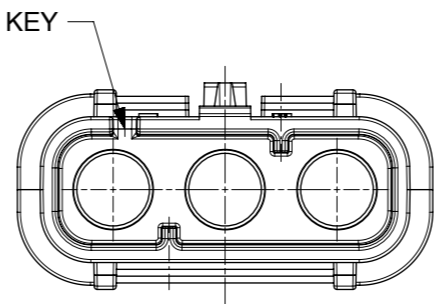


- NOTES:
- HOUSING MATERIAL:  
PEI  
UL RATED 94 V-0  
COLOR: BLACK (FOR KEY-A)  
COLOR: GRAY (FOR KEY-B)
  - USED WITH TERMINAL PART NUMBER 201845-00\*\*
  - SHALL CONFIRM TO PRODUCT SPECIFICATION 2018400000-PS
  - COMPLY WITH PACKAGING SPECIFICATION 2018400000-PK
  - COSMETIC SPECIFICATION PS-45499-002 CLASSB

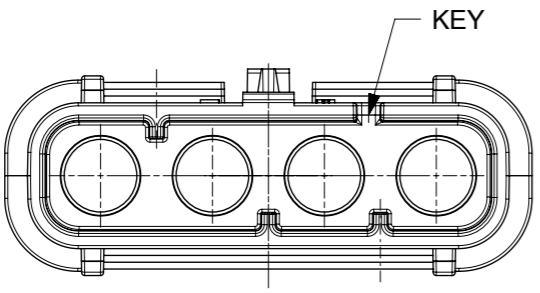
THIS DRAWING CONTAINS INFORMATION THAT IS PROPRIETARY TO MOLEX ELECTRONIC TECHNOLOGIES, LLC AND SHOULD NOT BE USED WITHOUT WRITTEN PERMISSION										
REV POST FAI/QUAL 2017/03/17	EC NO: 114667 DRWN: NCSR CHK'D:	2017/04/28	GENERAL TOLERANCES (UNLESS SPECIFIED)		DIMENSION UNITS	SCALE	<b>molex</b> <sup>®</sup>			
			ANGULAR TOL ± °		MM	2:1				
			4 PLACES ±		DRWN BY	DATE	MULTICAT IN-LINE PLUG HOUSING WTW			
			3 PLACES ± 0.05		RMV02	2016/12/06				
			2 PLACES ± 0.1		CHK'D BY	DATE	PRODUCT CUSTOMER DRAWING			
1 PLACE ± 0.2										
0 PLACES ±		APPR BY	DATE	SERIES	MATERIAL NUMBER	CUSTOMER				
		KPRASAD	2017/01/27	201840	SEE TABLE	GENERAL MARKET				
		DRAFT WHERE APPLICABLE MUST REMAIN WITHIN DIMENSIONS		DRAWING SIZE	THIRD ANGLE PROJECTION		DOCUMENT NUMBER	DOC TYPE	DOC PART	SHEET NUMBER
A1				A3			2018400000-SD	PSD	000	1 OF 2



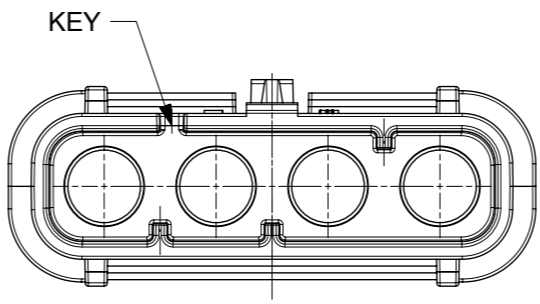
PN 201840-0030  
KEY A (BLACK)



PN 201840-0031  
KEY B (GRAY)



PN 201840-0040  
KEY A (BLACK)



PN 201840-0041  
KEY B (GRAY)

PART NUMBER	PART DESCRIPTION	A	C	D	E
201840-0030	MULTICAT PLUG HSG 1X3 KEY A	17.35	24.46	27.46	3.70
201840-0031	MULTICAT PLUG HSG 1X3 KEY B	17.35	24.46	27.46	3.70
201840-0040	MULTICAT PLUG HSG 1X4 KEY A	24.75	31.86	34.86	7.40
201840-0041	MULTICAT PLUG HSG 1X4 KEY B	24.75	31.86	34.86	7.40

THIS DRAWING CONTAINS INFORMATION THAT IS PROPRIETARY TO MOLEX ELECTRONIC TECHNOLOGIES, LLC AND SHOULD NOT BE USED WITHOUT WRITTEN PERMISSION

REV POST FAI/QUAL EC NO: 114667 DRWN: NCSR CHK'D: APPR: KPRASAD	2017/03/17	GENERAL TOLERANCES (UNLESS SPECIFIED) ANGULAR TOL ± ° 4 PLACES ± 3 PLACES ± 0.05 2 PLACES ± 0.1 1 PLACE ± 0.2 0 PLACES ± DRAFT WHERE APPLICABLE MUST REMAIN WITHIN DIMENSIONS	DIMENSION UNITS	SCALE			
	2017/04/28		MM	2:1			
	DRWN BY		DATE	MULTICAT IN-LINE PLUG HOUSING WTW			
	RMV02		2016/12/06				
CHK'D BY	DATE	PRODUCT CUSTOMER DRAWING					
KPRASAD	2017/01/27						
APPR BY	DATE	DRAWING SIZE	THIRD ANGLE PROJECTION	SERIES	MATERIAL NUMBER	CUSTOMER	
A1	REV	A3		201840	SEE TABLE	GENERAL MARKET	
				DOCUMENT NUMBER	DOC TYPE	DOC PART	SHEET NUMBER
				2018400000-SD	PSD	000	2 OF 2