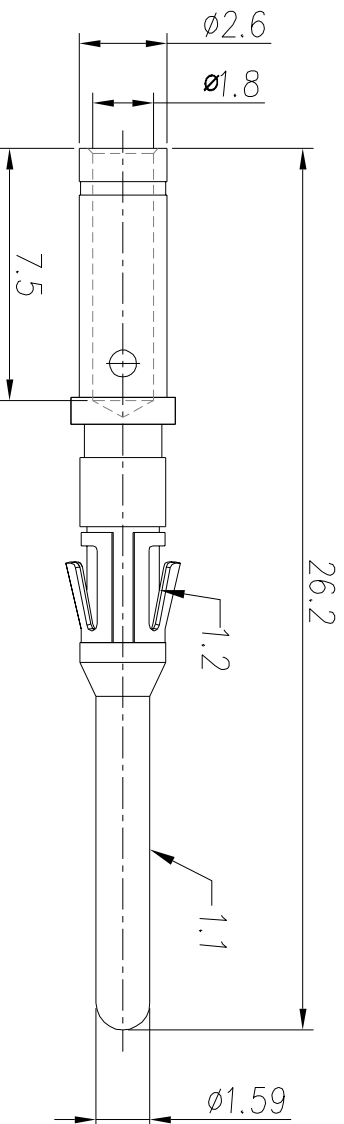


REVISIONS				
REV	ECO	DESCRIPTION	DATE	BY APPR
B1	-	RELEASED DRAWING	JAN-18-2014	ARROW TOMMY



P/N	CONTACT PLATING(MATING AREA)
MP16M23T	TIN PLATING OVER NICKEL.
MP16M23S	SILVER PLATING OVER NICKEL.
MP16M23F	GOLD FLASH PLATING OVER NICKEL.
MP16M23G10	10µ" GOLD PLATING OVER NICKEL.
MP16M23G15	15µ" GOLD PLATING OVER NICKEL.
MP16M23G30	30µ" GOLD PLATING OVER NICKEL.

- NOTES : ( UNLESS OTHERWISE SPECIFIED )
- MATERIAL :
    - CONTACT BODY : COPPER ALLOY.
    - POSITIONING CLIP : COPPER ALLOY.
  - SPECIFICATIONS :
    - CURRENT RATING : 13A(MAX).
    - TERMINATION TYPE : CRIMPING.
    - WIRE RANGE : 16-18AWG.
  - SUITABLE SOCKET TYPE : MS16M23xx.
  - ROHS COMPLIANT.
  - ALL DIMENSIONS ARE FOR REFERENCE USE ONLY.

QUANTITY	PART NUMBER	DESCRIPTION	ITER
		<b>MATERIALS LIST</b>	
UNLESS OTHERWISE SPECIFIED			
1) ALL DIMENSIONS ARE IN MILLIMETERS.			
2) TOLERANCES ARE AS SHOWN.			
3) PL, DEC AND 2D: FRACTIONAL INCHES			
4) PL, DEC AND 2D: DECIMAL INCHES			
5) Note reference =  A			
SIGNATURES		DATE	
DRAWN: ARROW	DESIGNED: JWH/TZH		
ENGINEER:	APPROVAL:		
CUSTOMER:	THIS DRAWING IS SUPPLIED FOR SPECIFICATIONS AND PERFORMANCE DATA. THE DRAWING IS NOT TO BE USED FOR REPRODUCTION OR REPRODUCTION IN ANY MANNER. ALL MANUFACTURING VARIATIONS.		
PROCESS SPECIFICATIONS:		NEXT ASST:	
MATERIAL SPECIFICATIONS:		SCALE: NONE	
ECO-MATE PIN CONTACT MACHINE, 16-18AWG, SIZE 16		SHEET 1 OF 1	

**Amphenol**

Sine Systems - [www.amphenol-sine.com](http://www.amphenol-sine.com)  
44724 Morley Drive  
Clinton Township, MI 48038

MP16M23xx