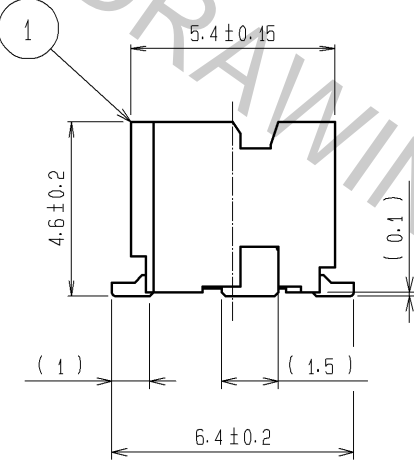
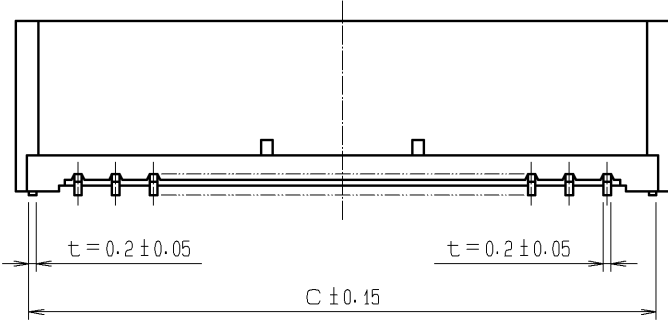
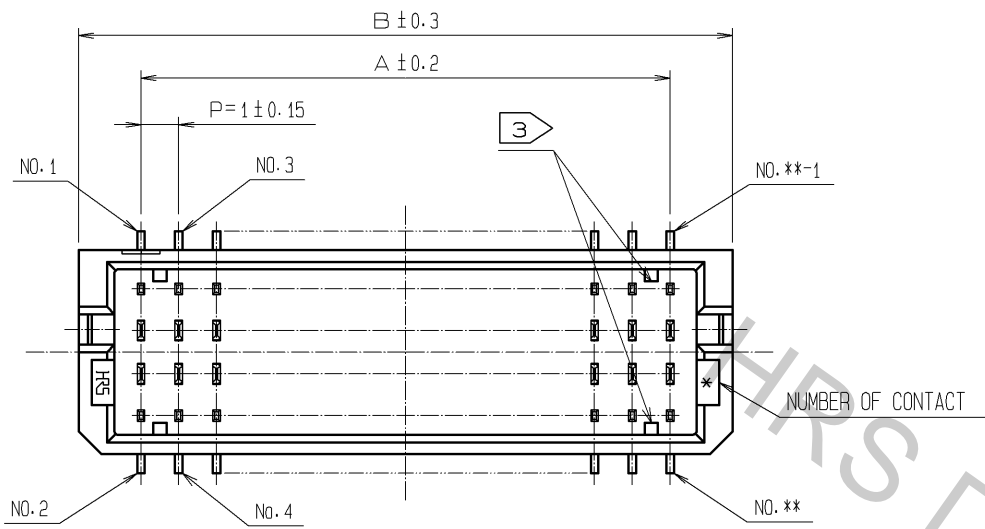
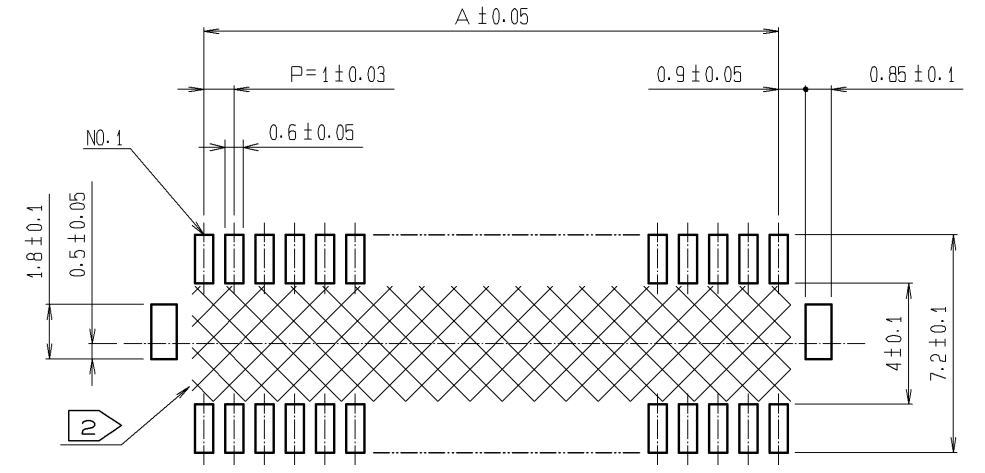


Apr.1.2017 Copyright 2017 HIROSE ELECTRIC CO., LTD. All Rights Reserved.

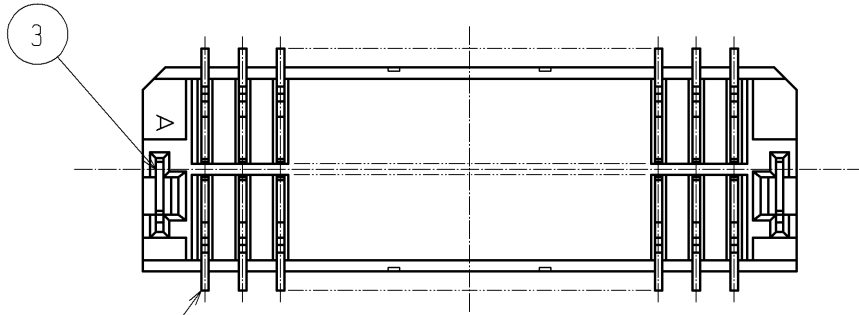
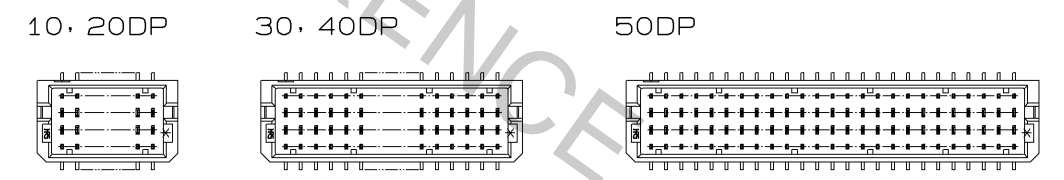


RECOMMENDED PATTERN(FREE)

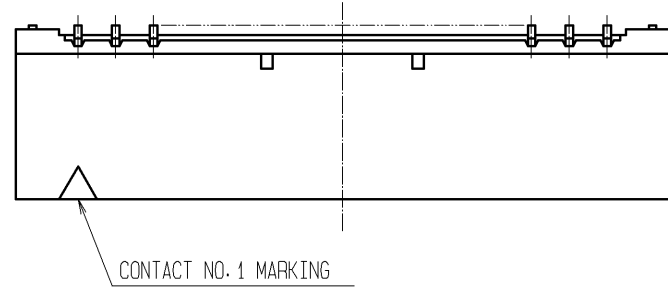
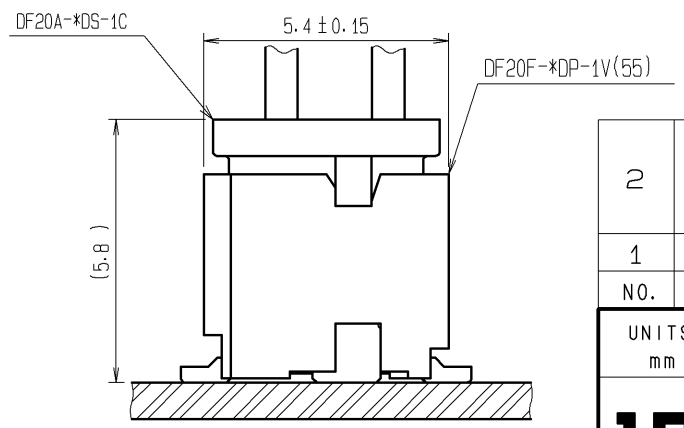


PART NO.	HRS NO.	NUMBER OF CONTACTS	A	B	C
DF20F-10DP-1V(55)	CL686-0032-2-55	10	4.0	7.3	6.6
DF20F-20DP-1V(55)	CL686-0033-5-55	20	9.0	12.3	11.6
DF20F-30DP-1V(55)	CL686-0034-8-55	30	14.0	17.3	16.6
DF20F-40DP-1V(55)	CL686-0035-0-55	40	19.0	22.3	21.6
DF20F-50DP-1V(55)	CL686-0036-3-55	50	24.0	27.3	26.6

NOTES1: LEAD CO-PLANARITY SHALL BE 0.1mm MAX INCLUDING METAL HOLD DOWN.  
 2 IF THERE IS PATTERN ON PART, THERE IS A POSSIBILITY THAT IT WILL MAKE CONTACT WITH THE LEADS.  
 3 THE NUMBER AND POSITION OF A RIB ARE AS FOLLOWS BY THE NUMBER OF CONTACTS.



APPLICATION DIAGRAM(FREE)



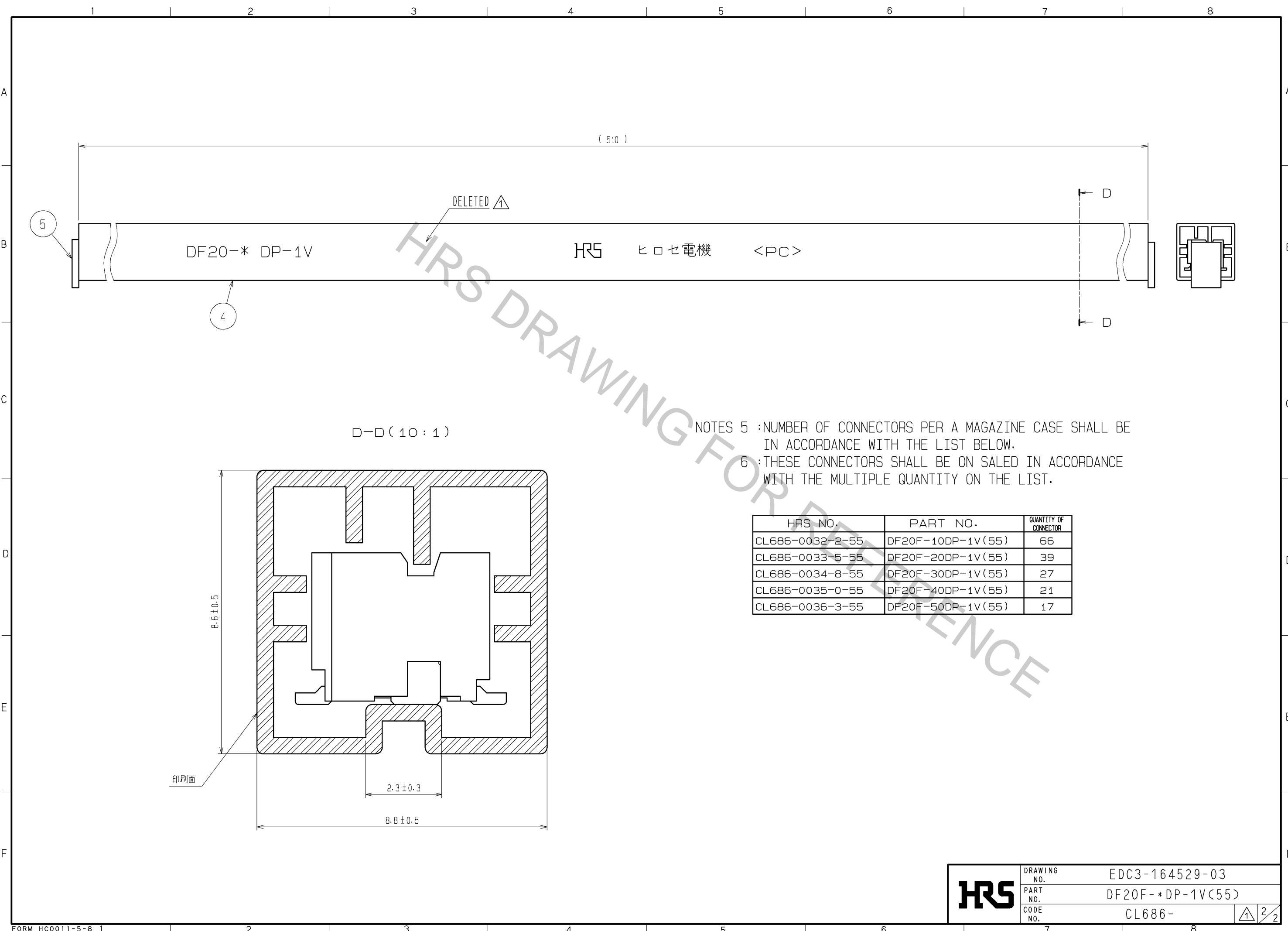
NO.	MATERIAL	FINISH	REMARKS	NO.	MATERIAL	FINISH	REMARKS
2	PHOSPHER BRONZE		Contact Area:Gold Plated 0.2μm min. Lead Area:Gold Plated 0.015μm min. Under Plating:Nickel Plated 2μm min.	5	S. PVC		STOPPER, GRAY
1	POLYAMIDE		NATURAL (BEIGE), UL94V-0	4	PC-M		ELECTROSTATIC PROTECTION, CLEAR
				3	BRASS		Surface:Tin-Copper Plated 1μm min. Under Plating:Nickel Plated 1μm min.

UNITS	SCALE	COUNT	DESCRIPTION OF REVISIONS	DESIGNED	CHECKED	DATE
mm	5 : 1	1	DIS-H-008680	MI. SAKIMURA	TS. FUKUSHIMA	14. 04. 11

APPROVED	DATE	DRAWING NO.
TY. OMA	06. 02. 06	EDC3-164529-03
CHECKED	DATE	PART NO.
HK. UMEHARA	06. 02. 04	DF20F-*DP-1V(55)
DESIGNED	DATE	CODE NO.
SZ. ONO	06. 02. 03	CL686-
DRAWN	DATE	
SZ. ONO	06. 02. 03	



NOTES 5 : NUMBER OF CONNECTORS PER A MAGAZINE CASE SHALL BE IN ACCORDANCE WITH THE LIST BELOW.  
 6 : THESE CONNECTORS SHALL BE ON SALED IN ACCORDANCE WITH THE MULTIPLE QUANTITY ON THE LIST.

HRS NO.	PART NO.	QUANTITY OF CONNECTOR
CL686-0032-2-55	DF20F-10DP-1V(55)	66
CL686-0033-5-55	DF20F-20DP-1V(55)	39
CL686-0034-8-55	DF20F-30DP-1V(55)	27
CL686-0035-0-55	DF20F-40DP-1V(55)	21
CL686-0036-3-55	DF20F-50DP-1V(55)	17

<b>HRS</b>	DRAWING NO.	EDC3-164529-03
	PART NO.	DF20F-*DP-1V(55)
	CODE NO.	CL686-

2/2