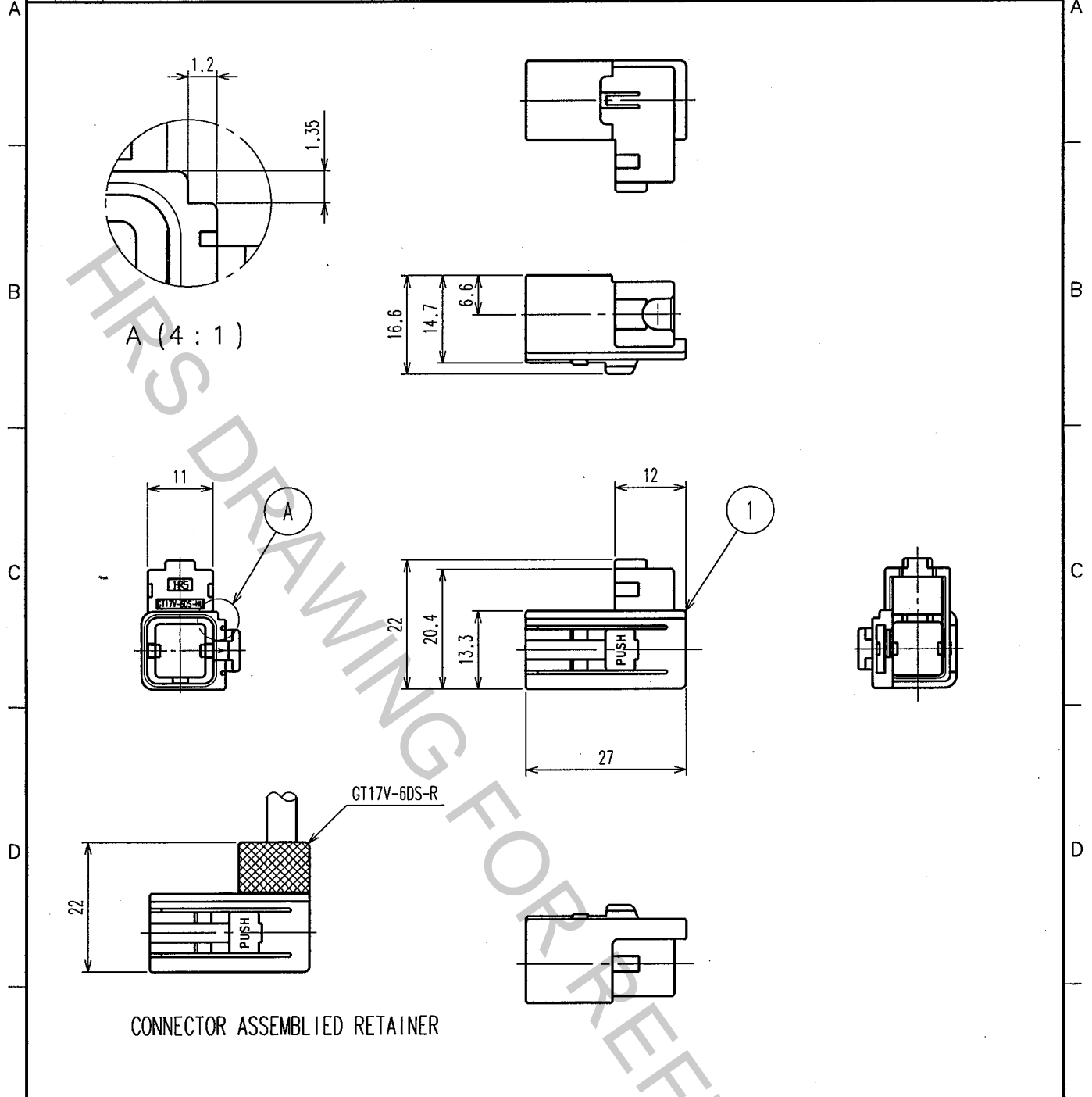


1					2					3					4				
COUNT	DESCRIPTION OF REVISIONS				BY	CHKD	DATE	COUNT	DESCRIPTION OF REVISIONS				BY	CHKD	DATE				
△								△											
△								△											
△								△											



CONNECTOR ASSEMBLED RETAINER

NOTE1. THIS CONNECTOR SHALL BE USED THAT RETAINER (CL767-0031-0) WAS ASSEMBLED.  
 2. APPLICABLE CABLE DIA :  $\phi$ 4.8 TO  $\phi$ 5.2

1	PBT	LIGHT GRAY			
NO.	MATERIAL	FINISH, REMARKS	NO.	MATERIAL	FINISH, REMARKS
CODE NO. (OLD)			DRAWN	DESIGNED	CHECKED
			T. SHISHIKURA	T. SHISHIKURA	N. NAKATA
			'99.8.20	'99.8.20	'99.9.9
			APPROVED	RELEASED	
			K. SATO		
			'99.9.9		
DRAWING NO.			PART NO.		
EDC4-165527			GT17V-6DS-HU		
SACLE 1 : 1			CODE NO.		
UNITS mm			CL767-0029-8		
<b>HRS</b> HIROSE ELECTRIC CO., LTD.			1 1		

TO

