

A

B

C

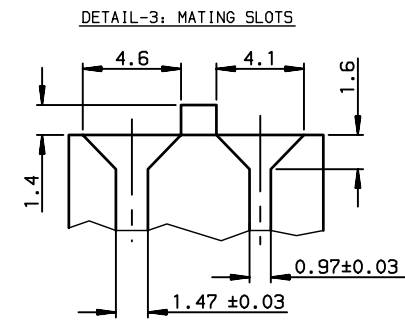
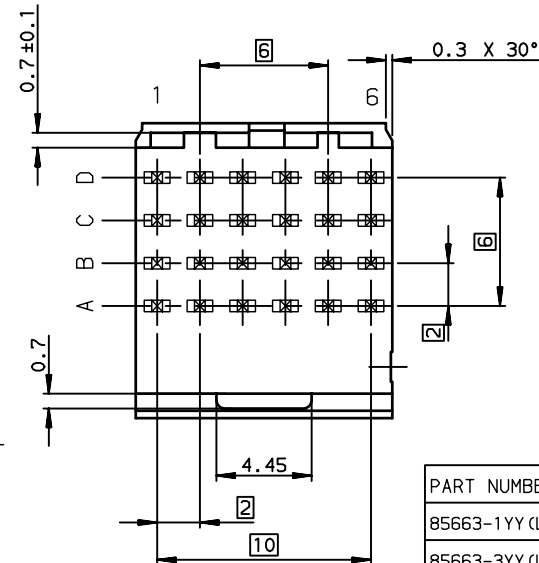
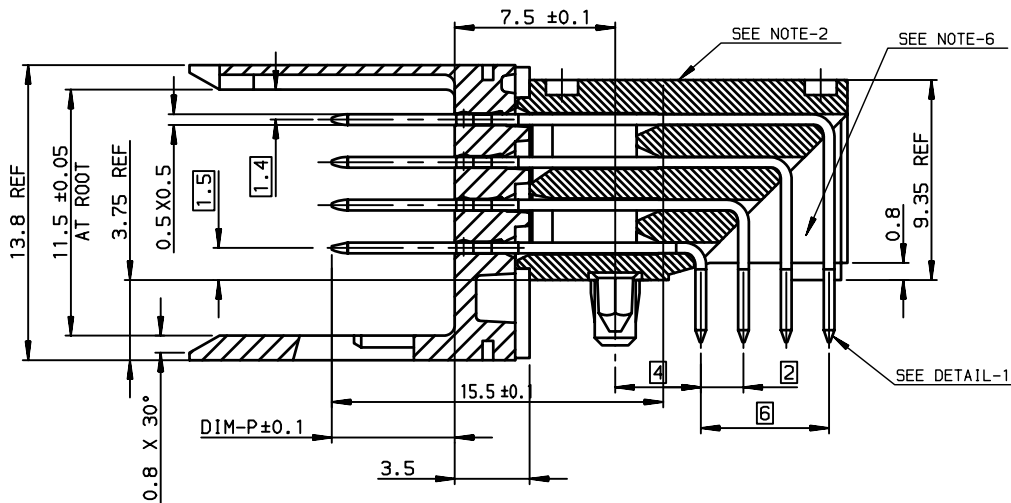
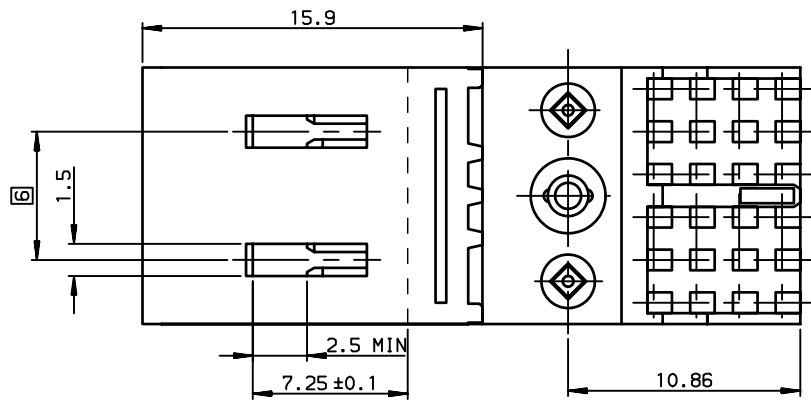
D

A

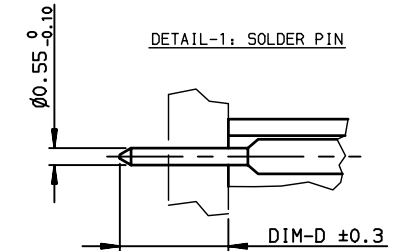
B

C

D



- NOTE-1: GENERAL CHARACTERISTICS ACCORDING TO GS-12-446
- NOTE-2: ONE CENTER PEG FOR HOLD DOWN FORCE
- NOTE-3: NO CODING RECESS FOR EXTENDED KEYS
- NOTE-4: PRODUCT MARKING = PRODUCT NUMBER + FCI+DATE CODE
- NOTE-5: PLATING ON MATING PART : SEE PROD SPEC GS-12-446
- NOTE-6: CENTRAL WALL WITH END REAR SUPPORT
- NOTE-7: STANDARD PACKAGING IS TUBE ,BUT IF SUFFIX "P" IS ADDED IN P/N,PACKAGING IS IN TRAYS,MARKING IS WITHOUT "P"
Example:85663-1xxPLF ,marking 85663-1xxLF



PART NUMBER	PERFORMANCE LEVEL
85663-1YY(LF)	STANDARD P/N, See Prod. Spec GS-12-446
85663-3YY(LF)	CUSTOMER SPECIAL , Specific Plating
85663-xYY(LF)	

GENERAL CHARACTERISTICS AND ROHS INFORMATION

See **PRODUCT SPECIFICATION :GS-12-446**

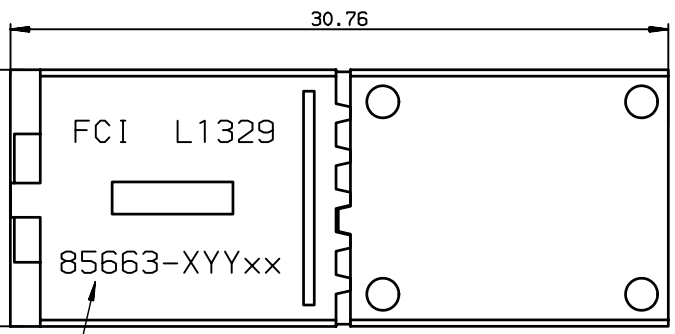
OTHERS INFORMATIONS,SEE DRW 85663-2

European Views

www.fciconnect.com		surface ISO 1302 ✓	tolerance std ISO 406 ISO 1101	projection mm	TOLERANCES UNLESS OTHERWISE SPECIFIED	
Dr	CHAMPION	1999/01/25	ANGULAR	0.X	±0.1	size
Eng	LENOIR	1999/01/25	LINEAR	0.XX	±0.1	A3
Chr	LEGARE	1999/01/25	0.XX' ±2'	0.XXX	±0.1	Scale 4:1
Appr	LEGARE	1999/01/25	Product family	METRAL		ECN LS07-0134
				Spec ref		-

rev	ecn no	dr	date
F	-	PCH	2004/01/14
G	LS06-0101	LGO	2006/06/22
H	LS06-0114	LGO	2006/09/11
J	LS07-0134	MLE	2007/05/14
-	-	-	-
-	-	-	-
-	-	-	-

FCI title **METRAL RA HDR STB CONVERG** NB 4x6 - 1MODULE -SPECIAL LOADING
 catalog no - - - - -
 dwg no **85663-1** Rev. **J**
 CUSTOMER sheet 1 of 2



Copyright FCI. **FCI**

TIN-LEAD VERSION

P/N: 85663-X01		CTS LOADING PATTERN				
DIM-P	1	2	3	4	5	6
ROW-D	5.75		5.75		5.75	
ROW-C		5.75		5.75		5.75
ROW-B	5.75		5.75		5.75	
ROW-A		5.75		5.75		5.75
DIM-D = 2.9±0.3		NUMBER OF CTS = 12				

LEAD-FREE VERSION

P/N: 85663-X01LF		CTS LOADING PATTERN				
DIM-P	1	2	3	4	5	6
ROW-D	5.75		5.75		5.75	
ROW-C		5.75		5.75		5.75
ROW-B	5.75		5.75		5.75	
ROW-A		5.75		5.75		5.75
DIM-D = 2.9±0.3		NUMBER OF CTS = 12				

TIN-LEAD VERSION

P/N: 85663-X02		CTS LOADING PATTERN				
DIM-P	1	2	3	4	5	6
ROW-D	5.00	5.00			5.00	5.00
ROW-C	5.00					5.00
ROW-B	5.00		5.00	5.00		5.00
ROW-A	5.00		5.00	5.00		5.00
DIM-D = 2.9±0.3		NUMBER OF CTS = 14				

LEAD-FREE VERSION

P/N: 85663-X02LF		CTS LOADING PATTERN				
DIM-P	1	2	3	4	5	6
ROW-D	5.00	5.00			5.00	5.00
ROW-C	5.00					5.00
ROW-B	5.00		5.00	5.00		5.00
ROW-A	5.00		5.00	5.00		5.00
DIM-D = 2.9±0.3		NUMBER OF CTS = 14				

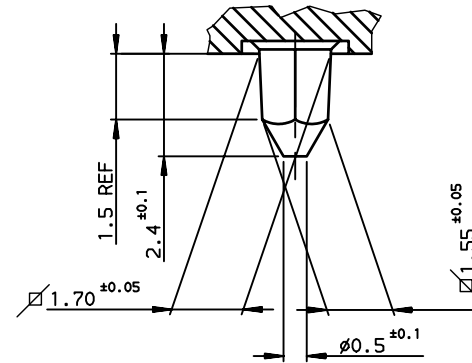
TIN-LEAD VERSION

P/N: 85663-X03		CTS LOADING PATTERN				
DIM-P	1	2	3	4	5	6
ROW-D	5.00		5.00		5.00	
ROW-C		5.00		5.00		5.00
ROW-B	5.00		5.00		5.00	
ROW-A		5.00		5.00		5.00
DIM-D = 2.9±0.3		NUMBER OF CTS = 12				

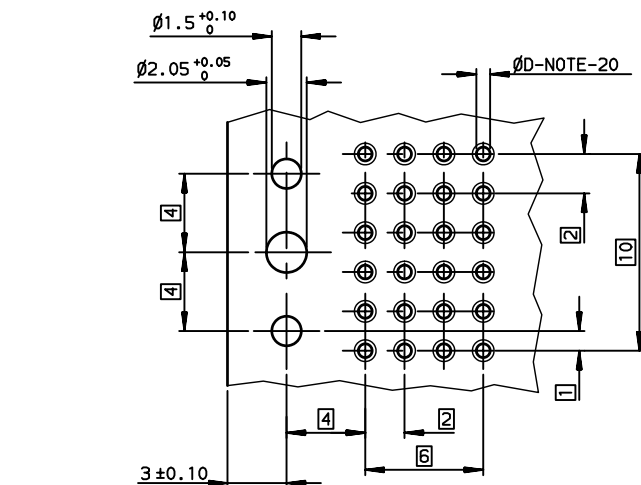
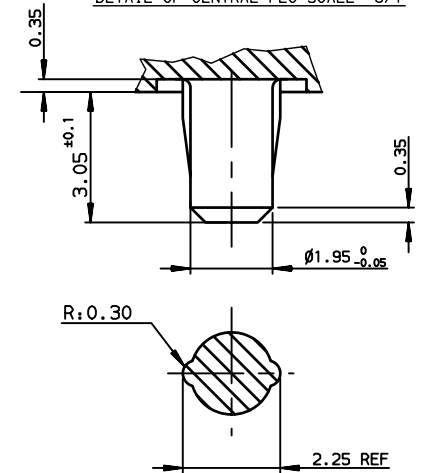
LEAD-FREE VERSION

P/N: 85663-X03LF		CTS LOADING PATTERN				
DIM-P	1	2	3	4	5	6
ROW-D	5.00		5.00		5.00	
ROW-C		5.00		5.00		5.00
ROW-B	5.00		5.00		5.00	
ROW-A		5.00		5.00		5.00
DIM-D = 2.9±0.3		NUMBER OF CTS = 12				

DETAIL OF LOCATING PEGS (2x) SCALE 8/1



DETAIL OF CENTRAL PEG SCALE 8/1



RECOMMENDED PCB LAYOUT

NOTE-20: PTH DIMENSIONS - ØD
 - DRILL DIAMETER = 0.85 REF
 - SEE Product spec :65-12-446

OTHERS INFORMATIONS, SEE DRW 85663-1

European Views

www.fciconnect.com		surface ISO 1302	tolerance std ISO 406 ISO 1101	projection mm
		TOLERANCES UNLESS OTHERWISE SPECIFIED		
Dr	CHAMPION	1999/01/25	0.X	±0.1
Eng	LENOIR	1999/01/25	0.XX	±0.1
Chr	LEGARE	1999/01/25	0.XX' ±2'	size A3
Appr	LEGARE	1999/01/25	0.XXX	±0.1
Product family			METRAL	Scale 4:1
Spec ref			-	ECN LS07-0134
title METRAL RA HDR STB CONVERG		dwg no 85663-2		Rev. J
catalog no		CUSTOMER		sheet 2 of 2

rev	ecn no	dr	date
E	-	PCH	2004/01/14
G	LS06-0101	LGO	2006/06/22
H	LS06-0114	LGO	2006/09/11
J	LS07-0134	MLE	2007/05/14
-	-	-	-
-	-	-	-
-	-	-	-