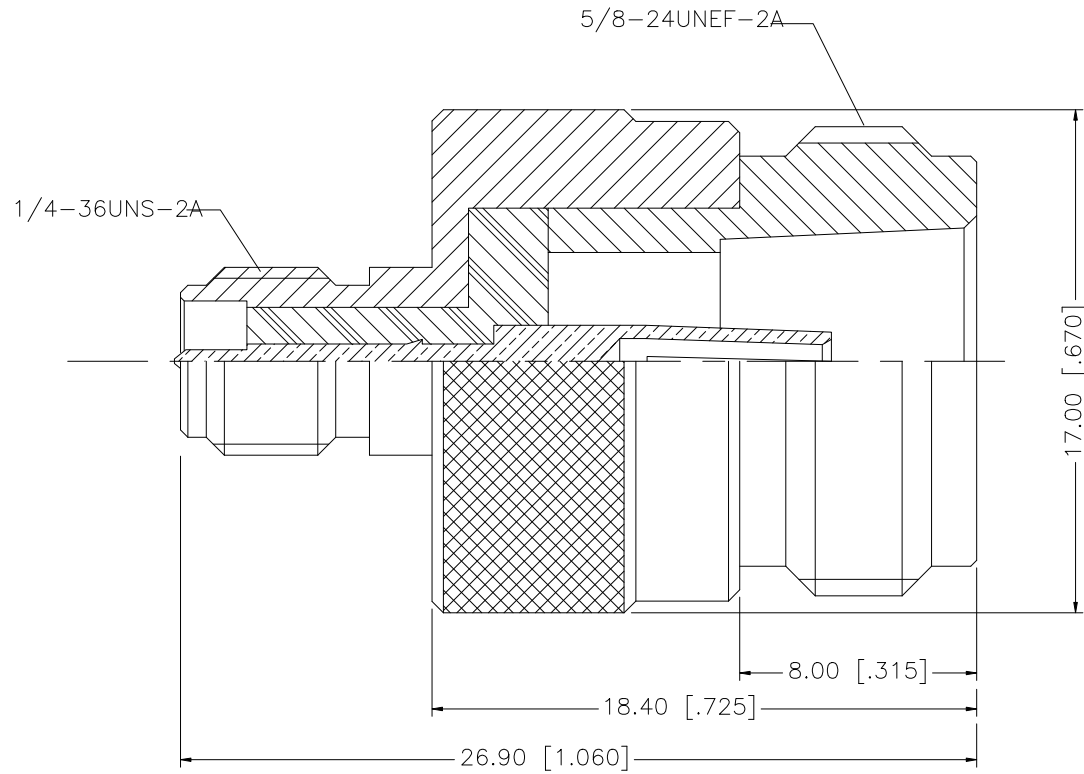


REV.	DATE	DESCRIPTION
NC	09/06/07	INITIAL RELEASE



8			
7			
6			
5			
4			
3	CONTACT PIN	PHOS. BRONZE	GOLD 1
2	INSULATOR	TEFLON	NATURAL 1
1	BODY	BRASS	NICKEL 1
	DESCRIPTION	MATERIAL	FINISH QTY

UNLESS OTHERWISE SPECIFIED DIMENSIONS ARE IN MILLIMETERS. DIMENSIONS IN [ ] ARE IN INCHES AND FOR CUSTOMER REFERENCE ONLY.

UNLESS OTHERWISE SPECIFIED TOLERANCES FOR MILLIMETERS ARE:  
0.5 - 8mm ± 0.20mm  
8 - 30mm ± 0.40mm  
30 - 120mm ± 0.50mm

UNLESS OTHERWISE SPECIFIED TOLERANCES FOR INCHES ARE:  
.020 - .315 = ± 0.007"  
.315 - 1.180 = ± 0.015"  
1.180 - 4.724 = ± 0.020"

DO NOT SCALE DRAWING

APPROVALS	DATE
DRAWN G.R.S.	09/06/07
CHECKED	
ISSUED	
SHEET 1 OF 1	
CAD FILE	C:/242/242115RP.DWG

# Amphenol Connex

PART DESCRIPTION			
SMA REVERSE POLARITY JACK TO N JACK ADAPTER			
PART NO. 242115RP			
DWG. NO.	242115RP.DWG	REV.	NC
SIZE	A	SCALE	NA