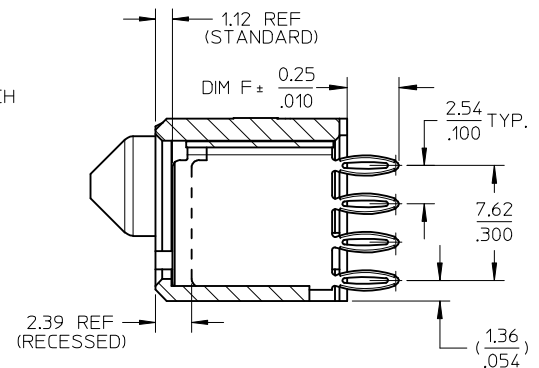
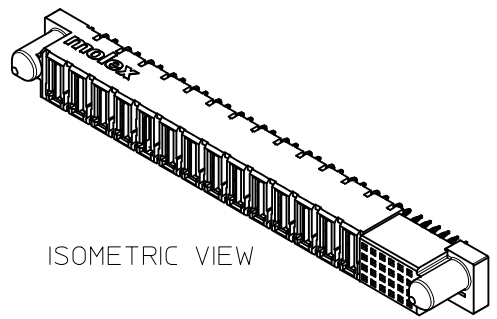
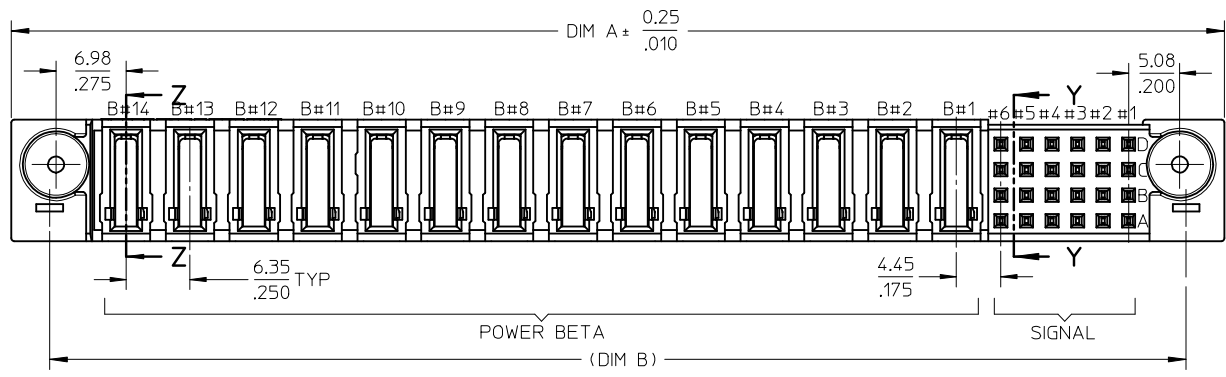
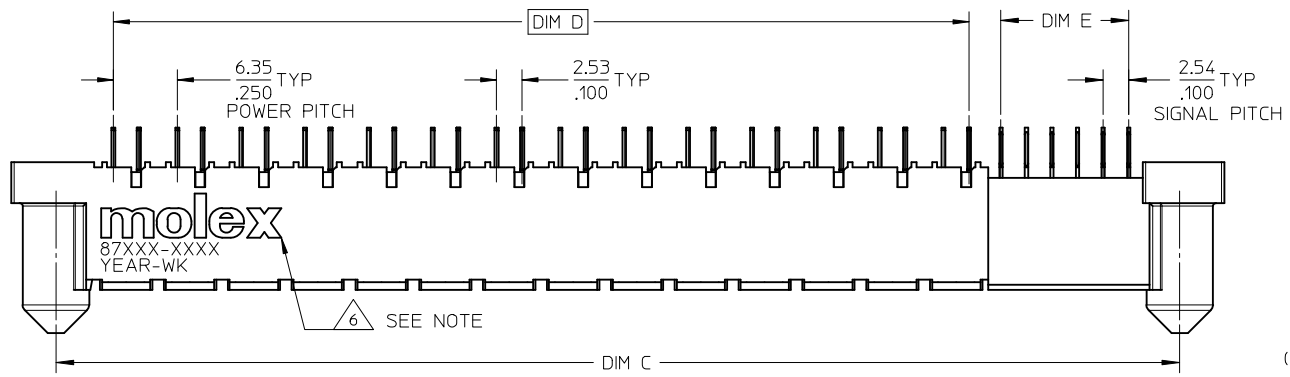
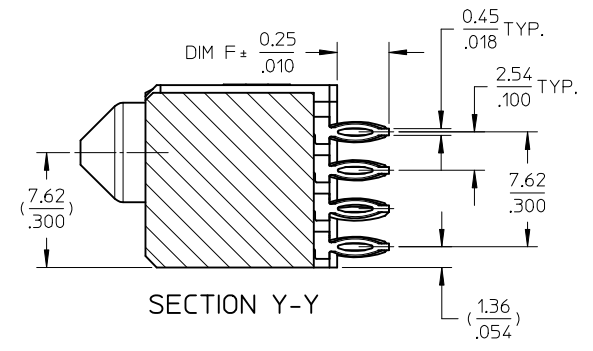
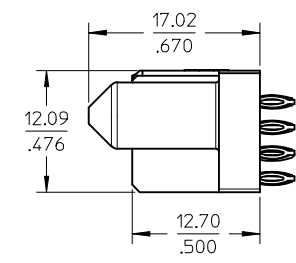


10 9 8 7 6 5 4 3 2 1



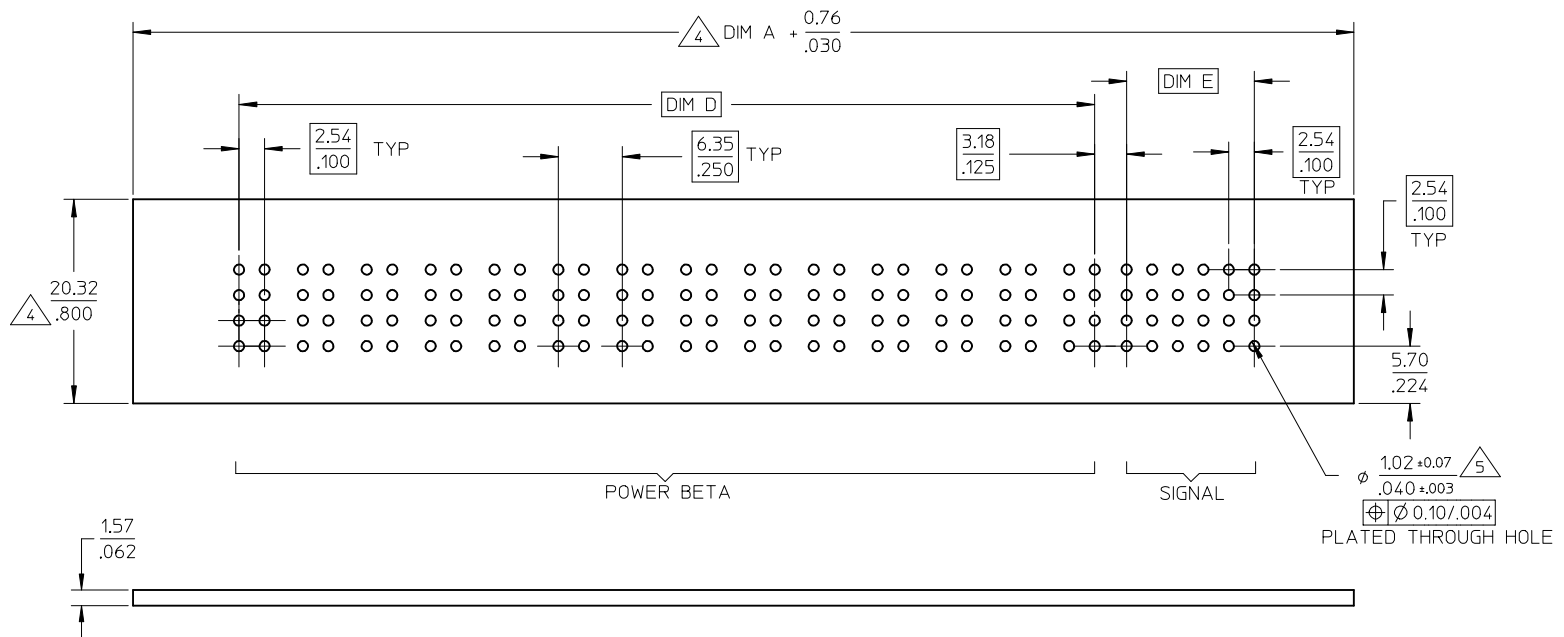
SECTION Z-Z



SECTION Y-Y

REVISED IEC NO: S2014-0060 DRW:SKANG 2013/07/16 CH:KD:MLONG 2013/09/06 APPR:MLONG 2013/09/09	QUALITY SYMBOLS $F_A=0$ $F_G=0$ $F_B=0$	GENERAL TOLERANCES (UNLESS SPECIFIED)		DIMENSION STYLE MM/IN		SCALE NTS	DESIGN UNITS METRIC	THIRD ANGLE PROJECTION
			mm	INCH	DRAWN BY	DATE	TITLE	
		4 PLACES	± ---	± ---	KMGOH	2002/10/10	POWER CONN. RECEPTACLE S-P(B) CONFIGURATION VERTICAL PRESS-FIT molex	
		3 PLACES	± ---	± .010	CHECKED BY	DATE		
2 PLACES	± 0.25	± ---	PTLIM	2002/11/25				
1 PLACE	± ---	± ---	APPROVED BY	DATE				
0 PLACE	±	±	SKTOH	2002/11/26	MATERIAL NO.	DOCUMENT NO.	SHEET NO.	
DRAFT WHERE APPLICABLE MUST REMAIN WITHIN DIMENSIONS		ANGULAR ± 3°		SEE TABLE		SD-87710-011		1 OF 3
THIS DRAWING CONTAINS INFORMATION THAT IS PROPRIETARY TO MOLEX INCORPORATED AND SHOULD NOT BE USED WITHOUT WRITTEN PERMISSION								

9 8 7 6 5 4 3 2 1




RECOMMENDED PCB LAYOUT

CONNECTOR - NOTES

1. MATERIALS :
 - HOUSING - LCP, GLASS FILLED, UL94-0,COLOR:BLACK.
 - SIGNAL PIN - COPPER ALLOY
 - POWER PIN - COPPER ALLOY
2. FINISH :
 - SIGNAL & POWER CONTACTS
 - 0.76 MICROMETER MINIMUM GOLD (Au) AT CONTACT AREA AND
 - 2.54 MICROMETER MINIMUM TIN (Sn) AT SOLDER TAIL AREA
 - OVER 1.27um MIN. NICKEL (Ni) UNDERPLATE.
3. PRODUCT SPECIFICATION: PS-87633-006.
4. COMPONENT STAY AWAY ZONE FROM CONNECTOR.
5. PCB NOTE FOR DIAMETER 1.02/0.40 PLATED HOLE.
 - DRILLED HOLE SIZE IS 1.151/0.453
 - PLATE WITH 0.007/0.003 MINIMUM TIN OVER 0.03/0.01
 - TO 0.08/0.003 COPPER PLATING TO ACHIEVE 1.02+0.08/.040+0.003 HOLE.
 - SEE SHEET 2 FOR RECOMMENDED PCB LAYOUT.
6. MANUFACTURER LOGO,PART NUMBER AND YEAR-WEEK CODE.
7. 14 POWER BETA-24 SIGNAL CONFIGURATION IS SHOWN FOR ILLUSTRATION ONLY.

REVISED EC NO: S2014-0060 DRWN:SKANG 2013/07/16 CHKD:MLONG 2013/09/06 APPR:MLONG 2013/09/09	DESCRIPTION REV	QUALITY SYMBOLS		GENERAL TOLERANCES (UNLESS SPECIFIED)		DIMENSION STYLE		SCALE	DESIGN UNITS	THIRD ANGLE PROJECTION	
						MM/IN		NTS	METRIC		
						DRAWN BY DATE		TITLE			
						CHECKED BY DATE		POWER CONN. RECEPTACLE S-P(B) CONFIGURATION VERTICAL PRESS-FIT			
				APPROVED BY DATE		molex					
				MATERIAL NO.		DOCUMENT NO.					
				SEE TABLE		SD-87710-011					
				SIZE		SHEET NO.					
				A3		2 OF 3					
				THIS DRAWING CONTAINS INFORMATION THAT IS PROPRIETARY TO MOLEX INCORPORATED AND SHOULD NOT BE USED WITHOUT WRITTEN PERMISSION							

PART NUMBER	P-S CONFIGURATION		RECESS POWER CIRCUIT #	DIM A	DIM B	DIM C	DIM D	DIM E	DIM F +0.25	PACKAGING
	POWER BETA	SIGNAL								
87710-2001	14	24	NIL	$\frac{120.65}{4.750}$	$\frac{113.03}{4.450}$	$\frac{111.76}{4.400}$	$\frac{85.09}{3.350}$	$\frac{12.70}{.500}$	$\frac{3.43}{.135}$	TRAY
87710-2002	6	24	NIL	$\frac{69.85}{2.750}$	$\frac{62.23}{2.450}$	$\frac{60.96}{2.400}$	$\frac{34.29}{1.350}$	$\frac{12.70}{.500}$	$\frac{3.43}{.135}$	TRAY
87710-2003	6	24	B4,B5,B6	$\frac{69.85}{2.750}$	$\frac{62.23}{2.450}$	$\frac{60.96}{2.400}$	$\frac{34.29}{1.350}$	$\frac{12.70}{.500}$	$\frac{3.43}{.135}$	TRAY
87710-2005	10	24	NIL	$\frac{95.25}{3.750}$	$\frac{87.63}{3.450}$	$\frac{86.36}{3.400}$	$\frac{59.69}{2.350}$	$\frac{12.70}{.500}$	$\frac{3.43}{.135}$	TRAY
87710-2011	4	16	NIL	$\frac{52.07}{2.050}$	$\frac{44.45}{1.750}$	$\frac{43.18}{1.700}$	$\frac{21.59}{.850}$	$\frac{7.62}{.300}$	$\frac{3.43}{.135}$	TRAY
87710-2012	4	24	NIL	$\frac{57.15}{2.250}$	$\frac{49.53}{1.950}$	$\frac{48.26}{1.900}$	$\frac{21.59}{.850}$	$\frac{12.70}{.500}$	$\frac{3.43}{.135}$	TRAY

REVISED EC NO: SZ014-0060 DRWN:SKANG 2013/07/16 CHKD:MLONG 2013/09/06 APPR:MLONG 2013/09/09	QUALITY SYMBOLS	GENERAL TOLERANCES (UNLESS SPECIFIED)	DIMENSION STYLE	SCALE	DESIGN UNITS	THIRD ANGLE PROJECTION
	$\nabla = 0$	4 PLACES	MM/IN	NTS	METRIC	TITLE POWER CONN. RECEPTACLE S-P(B) CONFIGURATION VERTICAL PRESS-FIT  MATERIAL NO. SEE TABLE DOCUMENT NO. SD-87710-011 SHEET NO. 3 OF 3
	$\nabla = 0$	3 PLACES	mm INCH	DRAWN BY	DATE	
	$\nabla = 0$	2 PLACES	± 0.25 ± 0.10	CHECKED BY	DATE	
		1 PLACE	± 0.25 ± 0.10	APPROVED BY	DATE	
	0 PLACE	± ±	SKTOH	2002/11/26		
		ANGULAR ± 3°	THIS DRAWING CONTAINS INFORMATION THAT IS PROPRIETARY TO MOLEX INCORPORATED AND SHOULD NOT BE USED WITHOUT WRITTEN PERMISSION			