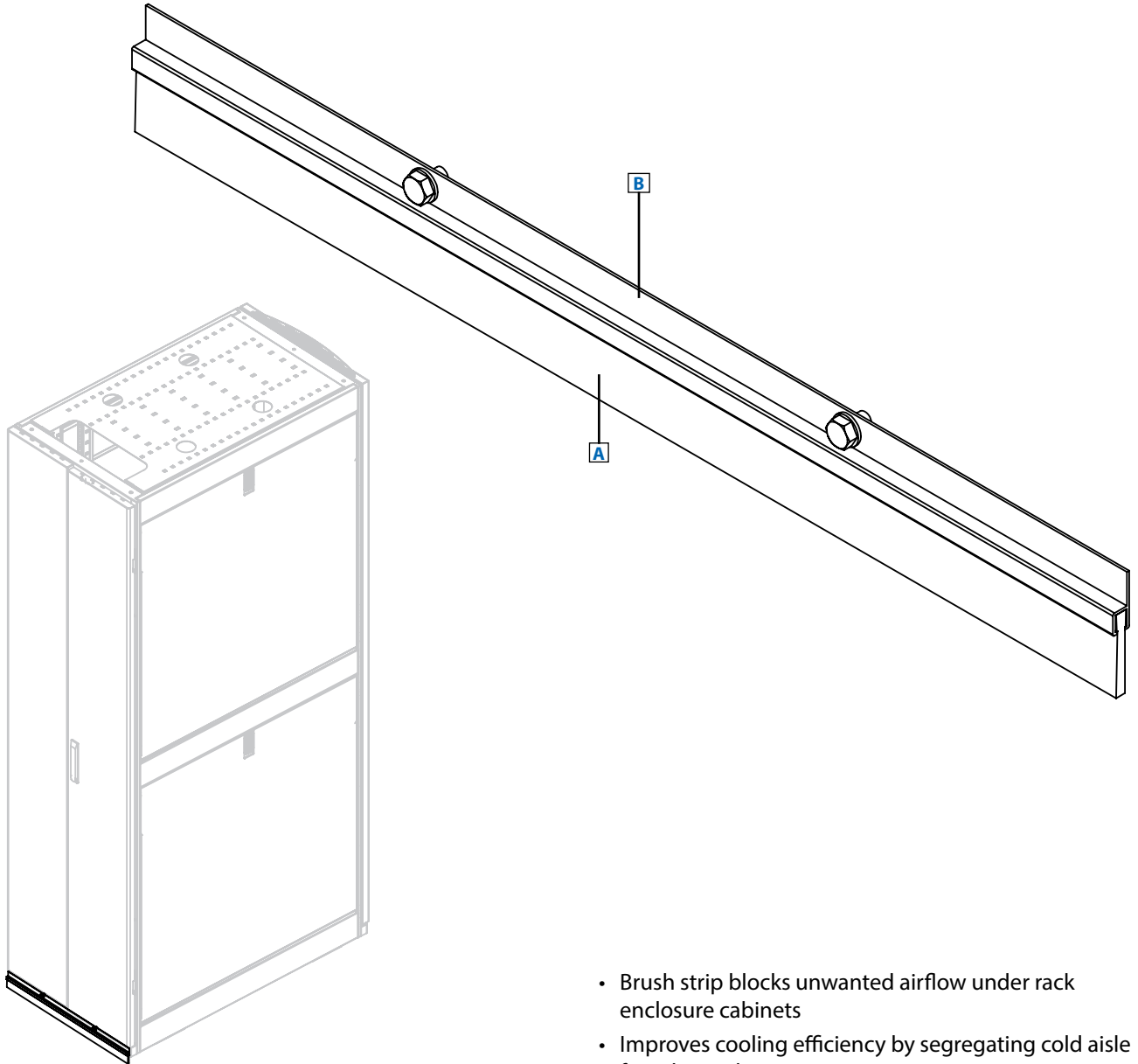


MODEL:

SRSKIRT

SmartRack® Rack Enclosure Cabinet Skirt Kit

- A** Brush Bristles
- B** Metal Spine with Mounting Holes



- Brush strip blocks unwanted airflow under rack enclosure cabinets
- Improves cooling efficiency by segregating cold aisle from hot aisle

SEE NEXT PAGE FOR DETAILED UNIT MEASUREMENTS

Specifications

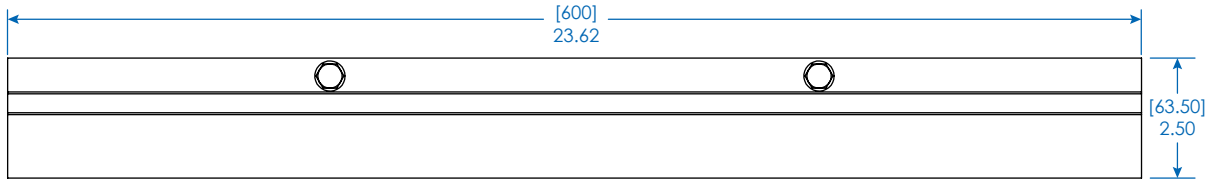
Model	SRSKIRT
Unit Dimensions (H x W x D)	2.5 x 23.6 x 0.39 in. / 64 x 599 x 10 mm
Shipping Dimensions (H x W x D)	0.59 x 24.4 x 2.68 in. / 15 x 620 x 68 mm
Unit Weight	1.5 lb. / 0.68 kg
Shipping Weight	2 lb. / 0.9 kg

Tripp Lite has a policy of continuous improvement. Specifications are subject to change without notice.



TRIPP-LITE

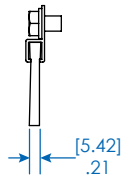
1111 W. 35th Street
Chicago, IL 60609 USA
773.869.1234
www.tripplite.com



FRONT VIEW



TOP VIEW



SIDE VIEW

Dimensions: [mm] INCHES

Tripp Lite has a policy of continuous improvement. Specifications are subject to change without notice.



1111 W. 35th Street
Chicago, IL 60609 USA
773.869.1234

www.tripplite.com