

MATED DIMENSIONS
(POSITION 90° SHOWN)

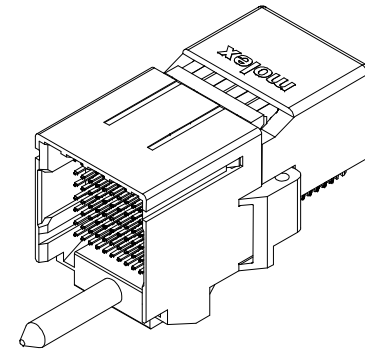
NOTES:

1. MATERIALS: HOUSING - LIQUID CRYSTAL POLYMER (LCP)
GLASS-FILLED, UL94V-0
TERMINALS - HIGH PERFORMANCE COPPER ALLOY
2. FINISH: 30μ MIN GOLD IN CONTACT AREA.
SELECTIVE TIN ON PCB TAILS.
NICKEL OVERALL.
3. REFER TO MOLEX PRODUCT SPECIFICATION PS-76060-999
FOR PERFORMANCE SPECIFICATIONS AND ADDITIONAL PCB INFORMATION.
4. THIS PART CONFORMS TO CLASS B REQUIREMENTS OF
COSMETIC SPEC PS-45499-002.
5. PACKAGE PER: PK-70873-8021.
6. SEE SHEET 3 FOR ORTHOGONAL PIN MAPPING.
7. REFER TO SHEET 3 AND 4 FOR THE MATING RECEPTACLES.
8. REFER TO MOLEX ROUTING GUIDE AS-76850-990 FOR ADDITIONAL PCB LAYOUT
AND ROUTING RECOMMENDATIONS.
9. CONNECTORS ARE SUPPLIED WITH TWO 2-32 THREAD FORMING
SCREWS.
10. THESE DIMENSIONS REPRESENT THE AREA NEEDED TO ACCOMODATE CONNECTOR
INSERTION AND REPAIR ON THE PC BOARD. THIS IS REFERED TO AS THE
"CONNECTOR KEEP OUT ZONE" AND DOES NOT REPRESENT THE ACTUAL PERIMETER
OF THE CONNECTOR."
11. MARKING: LOCATED APPROXIMATELY AS SHOWN, ON BOTTOM OR TOP HOUSING.
PART NUMBER AND DATE CODE.

MODULE TYPE 171574-98** PIN LENGTH (P)
 9 = BOTTOM GUIDED, TIN
 4 = 4.90 (0.46 PTH)
 5 = 5.50 (0.46 PTH)
 7 = 4.90 (0.39 PTH)
 8 = 5.50 (0.39 PTH)

OF COLUMNS
 8 = 8 COLUMN

MATE POSITION
 0 = 90 DEGREE
 3 = 270 DEGREE

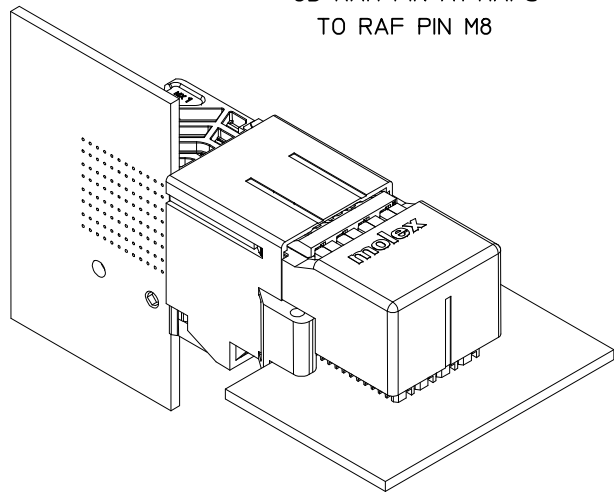


| | | | |
|-------------|---------------------|------------|-------------------------------|
| SEE SHEET 1 | EC NO: UCP2016-3973 | 2015/07/29 | QUALITY SYMBOLS ▽=0 ▽=0 |
| | DRWNG:VARVARA | 2016/02/22 | |
| B2 | CHKD:TELO | 2016/04/20 | DESCRIPTION |
| | APPR:TELO | | |

| | | | | | | |
|--|-------|-----------------------------------|------|----------------------|-------------------------------|--|
| GENERAL TOLERANCES (UNLESS SPECIFIED) | | DIMENSION STYLE MM ONLY | | SCALE 3:1 | DESIGN UNITS METRIC | THIRD ANGLE PROJECTION |
| 4 PLACES ± --- | ± --- | mm | INCH | DRAWN BY JMENDOZA | DATE 2012/10/23 | TITLE IMPACT ORTHOGONAL DIRECT 4 PAIR RAM 90 & 270 ASSY BOTTOM GUIDE SALES DWG |
| 3 PLACES ± --- | ± --- | | | CHECKED BY TELO | DATE 2012/12/07 | MATERIAL NO. SD-171574-0003 |
| 2 PLACES ± 0.13 | ± --- | | | APPROVED BY TELO | DATE 2013/12/26 | |
| 1 PLACE ± 0.25 | ± --- | | | ANGULAR ± 1/2° | | SHEET NO. 2 OF 4 |
| DRAFT WHERE APPLICABLE MUST REMAIN WITHIN DIMENSIONS | | SEE CHART | | DOCUMENT NO. | | |
| THIS DRAWING CONTAINS INFORMATION THAT IS PROPRIETARY TO MOLEX INCORPORATED AND SHOULD NOT BE USED WITHOUT WRITTEN PERMISSION | | | | | | |

ORTHO POSITION 90°

OD-RAM PIN A1 MAPS
TO RAF PIN M8



REFER TO MOLEX SALES DRAWING SD-76850-004
FOR MATING RECEPTACLES.

ORTHO PIN MAPPING

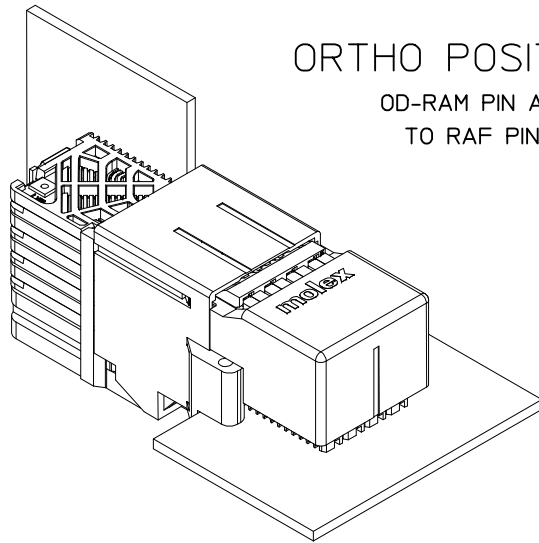
POSITION 90° (OD RAM - RAF)

| | | | | | | | |
|---------|---------|---------|---------|---------|---------|---------|---------|
| (A1-M8) | A2-L8 | (A3-J8) | A4-H8 | (A5-F8) | A6-E8 | (A7-C8) | A8-B8 |
| B1-M7 | B2-K8 | B3-J7 | B4-G8 | B5-F7 | B6-D8 | B7-C7 | B8-A8 |
| C1-L7 | (C2-K7) | C3-H7 | (C4-G7) | C5-E7 | (C6-D7) | C7-B7 | (C8-A7) |
| (D1-M6) | D2-L6 | (D3-J6) | D4-H6 | (D5-F6) | D6-E6 | (D7-C6) | D8-B6 |
| E1-M5 | E2-K6 | E3-J5 | E4-G6 | E5-F5 | E6-D6 | E7-C5 | E8-A6 |
| F1-L5 | (F2-K5) | F3-H5 | (F4-G5) | F5-E5 | (F6-D5) | F7-B5 | (F8-A5) |
| (G1-M4) | G2-L4 | (G3-J4) | G4-H4 | (G5-F4) | G6-E4 | (G7-C4) | G8-B4 |
| H1-M3 | H2-K4 | H3-J3 | H4-G4 | H5-F3 | H6-D4 | H7-C3 | H8-A4 |
| J1-L3 | (J2-K3) | J3-H3 | (J4-G3) | J5-E3 | (J6-D3) | J7-B3 | (J8-A3) |
| (K1-M2) | K2-L2 | (K3-J2) | K4-H2 | (K5-F2) | K6-E2 | (K7-C2) | K8-B2 |
| L1-M1 | L2-K2 | L3-J1 | L4-G2 | L5-F1 | L6-D2 | L7-C1 | L8-A2 |
| M1-L1 | (M2-K1) | M3-H1 | (M4-G1) | M5-E1 | (M6-D1) | M7-B1 | (M8-A1) |

NOTE: PINOUTS SHOWN IN BALLOONS ARE GROUNDS.
GROUND PATHS ARE NOT DISCRETE CIRCUITS.

| MATERIAL NUMBER | # OF COLUMNS | # OF DIFF PAIR | MATE POSITION | DIM P | PTH ϕ |
|-----------------|--------------|----------------|---------------|-------|------------|
| 171574-9804 | 8 | 32 | 90 | 4.90 | 0.46±0.05 |
| 171574-9805 | 8 | 32 | 90 | 5.50 | 0.46±0.05 |
| 171574-9807 | 8 | 32 | 90 | 4.90 | 0.39±0.05 |
| 171574-9808 | 8 | 32 | 90 | 5.50 | 0.39±0.05 |

| | | | | | | |
|--|--|---|--------------------------|--|--------------|------------------------|
| SEE SHEET 1 EC NO: UCP2016-3973 DRAWN: VARVARA 2015/07/29 CHKD: TELO 2016/02/22 APPR: TELO 2016/04/20 REV: B2 | QUALITY SYMBOLS | GENERAL TOLERANCES (UNLESS SPECIFIED) | DIMENSION STYLE | SCALE | DESIGN UNITS | THIRD ANGLE PROJECTION |
| | $\nabla=0$ $\nabla=0$ | mm INCH | MM ONLY | 2:1 | METRIC | |
| | | 4 PLACES ± --- ± --- | DRAWN BY DATE | TITLE IMPACT ORTHOGONAL DIRECT 4 PAIR RAM 90 & 270 ASSY BOTTOM GUIDE SALES DWG | | |
| | | 3 PLACES ± --- ± --- | JMENDOZA 2012/10/23 | | | |
| | | 2 PLACES ± 0.13 ± --- | CHECKED BY DATE | | | |
| | 1 PLACE ± 0.25 ± --- | TELO 2012/12/07 | | | | |
| | ANGULAR ± 1/2° | APPROVED BY DATE | MOLEX MOLEX INCORPORATED | | | |
| | | TELO 2013/12/26 | | | | |
| | DRAFT WHERE APPLICABLE MUST REMAIN WITHIN DIMENSIONS | MATERIAL NO. | DOCUMENT NO. | SHEET NO. 3 OF 4 | | |
| | | SEE CHART | SD-171574-0003 | | | |
| | | THIS DRAWING CONTAINS INFORMATION THAT IS PROPRIETARY TO MOLEX INCORPORATED AND SHOULD NOT BE USED WITHOUT WRITTEN PERMISSION | | | | |



ORTHO POSITION 270°

OD-RAM PIN A1 MAPS
TO RAF PIN A1

REFER TO MOLEX SALES DRAWING SD-76850-002
FOR MATING RECEPTACLES.

ORTHO PIN MAPPING

POSITION 270° (OD RAM - RAF)

| | | | | | | | |
|---------|---------|---------|---------|---------|---------|---------|---------|
| (A1-A1) | A2-B1 | (A3-D1) | A4-E1 | (A5-G1) | A6-H1 | (A7-K1) | A8-L1 |
| B1-A2 | B2-C1 | B3-D2 | B4-F1 | B5-G2 | B6-J1 | B7-K2 | B8-M1 |
| C1-B2 | (C2-C2) | C3-E2 | (C4-F2) | C5-H2 | (C6-J2) | C7-L2 | (C8-M2) |
| (D1-A3) | D2-B3 | (D3-D3) | D4-E3 | (D5-G3) | D6-H3 | (D7-K3) | D8-L3 |
| E1-A4 | E2-C3 | E3-D4 | E4-F3 | E5-G4 | E6-J3 | E7-K4 | E8-M3 |
| F1-B4 | (F2-C4) | F3-E4 | (F4-F4) | F5-H4 | (F6-J4) | F7-L4 | (F8-M4) |
| (G1-A5) | G2-B5 | (G3-D5) | G4-E5 | (G5-G5) | G6-H5 | (G7-K5) | G8-L5 |
| H1-A6 | H2-C5 | H3-D6 | H4-F5 | H5-G6 | H6-J5 | H7-K6 | H8-M5 |
| J1-B6 | (J2-C6) | J3-E6 | (J4-F6) | J5-H6 | (J6-J6) | J7-L6 | (J8-M6) |
| (K1-A7) | K2-B7 | (K3-D7) | K4-E7 | (K5-G7) | K6-H7 | (K7-K7) | K8-L7 |
| L1-A8 | L2-C7 | L3-D8 | L4-F7 | L5-G8 | L6-J7 | L7-K8 | L8-M7 |
| M1-B8 | (M2-C8) | M3-E8 | (M4-F8) | M5-H8 | (M6-J8) | M7-L8 | (M8-M8) |

NOTE: PINOUTS SHOWN IN BALLOONS ARE GROUNDS.
GROUND PATHS ARE NOT DISCRETE CIRCUITS.

| MATERIAL NUMBER | # OF COLUMNS | # OF DIFF PAIR | MATE POSITION | DIM P | PTH ϕ |
|-----------------|--------------|----------------|---------------|-------|------------|
| 171574-9834 | 8 | 32 | 270 | 4.90 | 0.46±0.05 |
| 171574-9835 | 8 | 32 | 270 | 5.50 | 0.46±0.05 |
| 171574-9837 | 8 | 32 | 270 | 4.90 | 0.39±0.05 |
| 171574-9838 | 8 | 32 | 270 | 5.50 | 0.39±0.05 |

| | | | | | | | | | |
|---|--------------------------------------|--|---------|-----------------------------------|--------------------|--|-------------------------------|------------------------|--|
| ENTER DESCRIPTION EC NO: UCP2016-3973 DRWNG: VARVARA 2015/07/29 CHKD: TELO 2016/02/22 APPR: TELO 2016/04/20 REV: B2 | QUALITY SYMBOLS ▽=0 ▽=0 ▽=0 | GENERAL TOLERANCES (UNLESS SPECIFIED) | | DIMENSION STYLE MM ONLY | | SCALE 2:1 | DESIGN UNITS METRIC | THIRD ANGLE PROJECTION | |
| | | 4 PLACES ± --- ± --- 3 PLACES ± --- ± --- 2 PLACES ± 0.13 ± --- 1 PLACE ± 0.25 ± --- 0 PLACE ± ± | mm INCH | DRAWN BY JMENDOZA | DATE 2012/10/23 | TITLE IMPACT ORTHOGONAL DIRECT 4 PAIR RAM 90 & 270 ASSY BOTTOM GUIDE SALES DWG | | | |
| | | ANGULAR ±1/2° | | CHECKED BY TELO | DATE 2012/12/07 | MATERIAL NO. 9999999999 | | | |
| | | DRAFT WHERE APPLICABLE MUST REMAIN WITHIN DIMENSIONS | | APPROVED BY TELO | DATE 2013/12/26 | DOCUMENT NO. SD-171574-0003 | SHEET NO. 4 OF 4 | | |

THIS DRAWING CONTAINS INFORMATION THAT IS PROPRIETARY TO MOLEX INCORPORATED AND SHOULD NOT BE USED WITHOUT WRITTEN PERMISSION