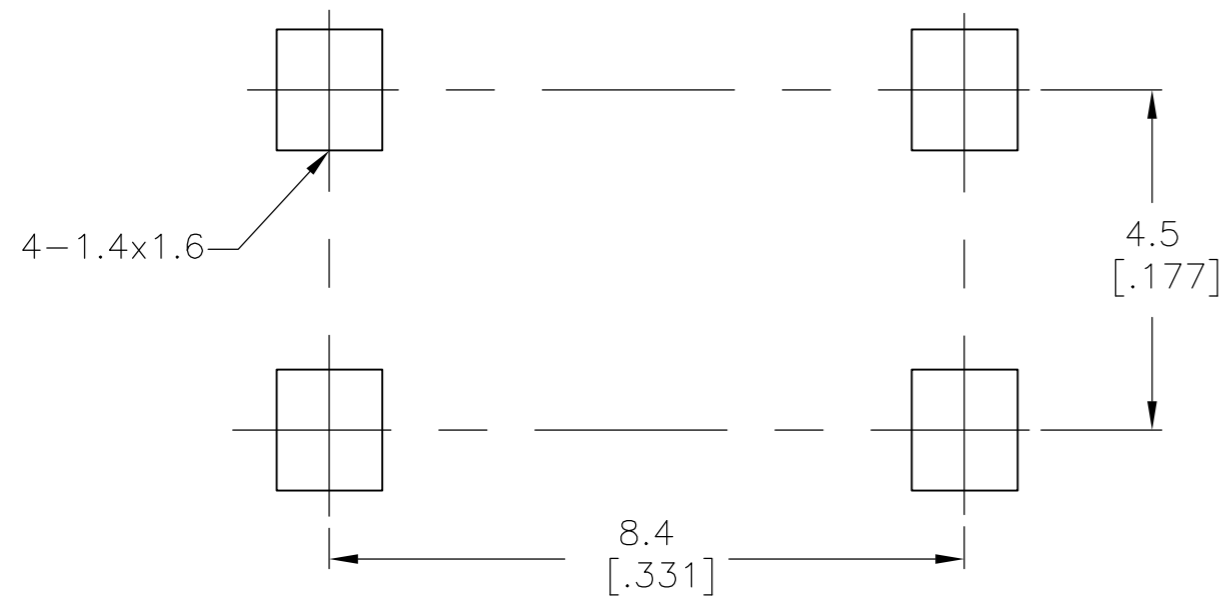
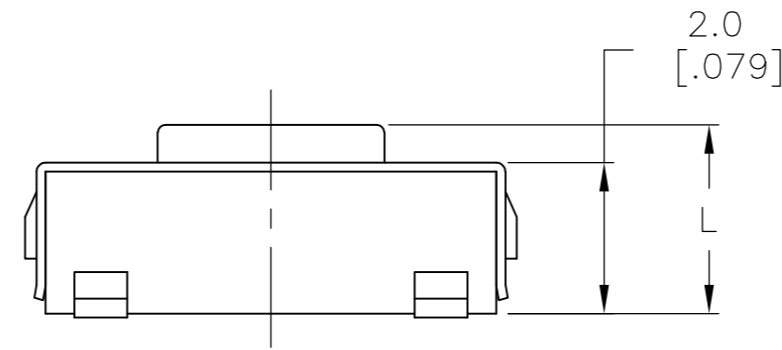
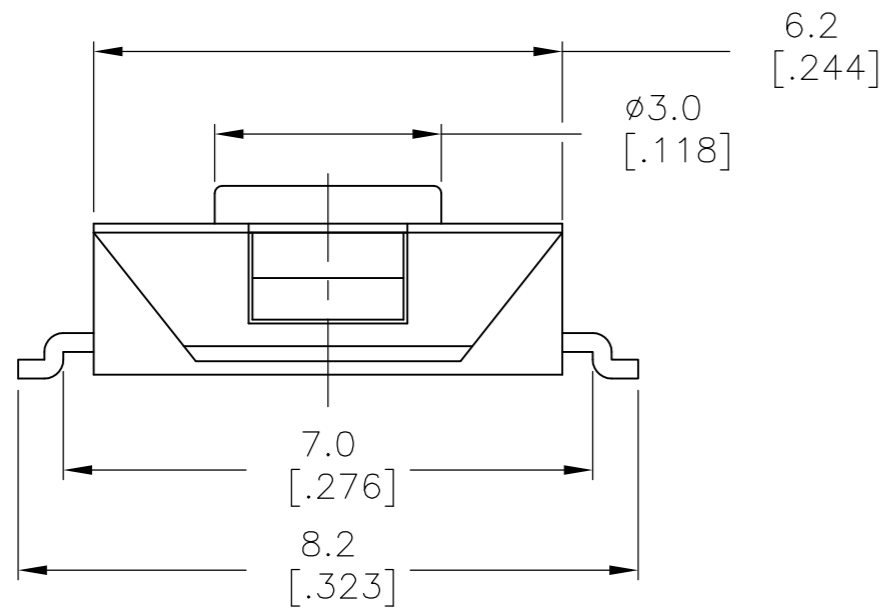
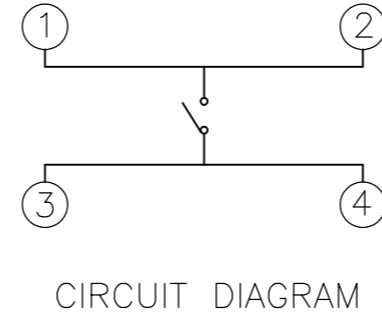
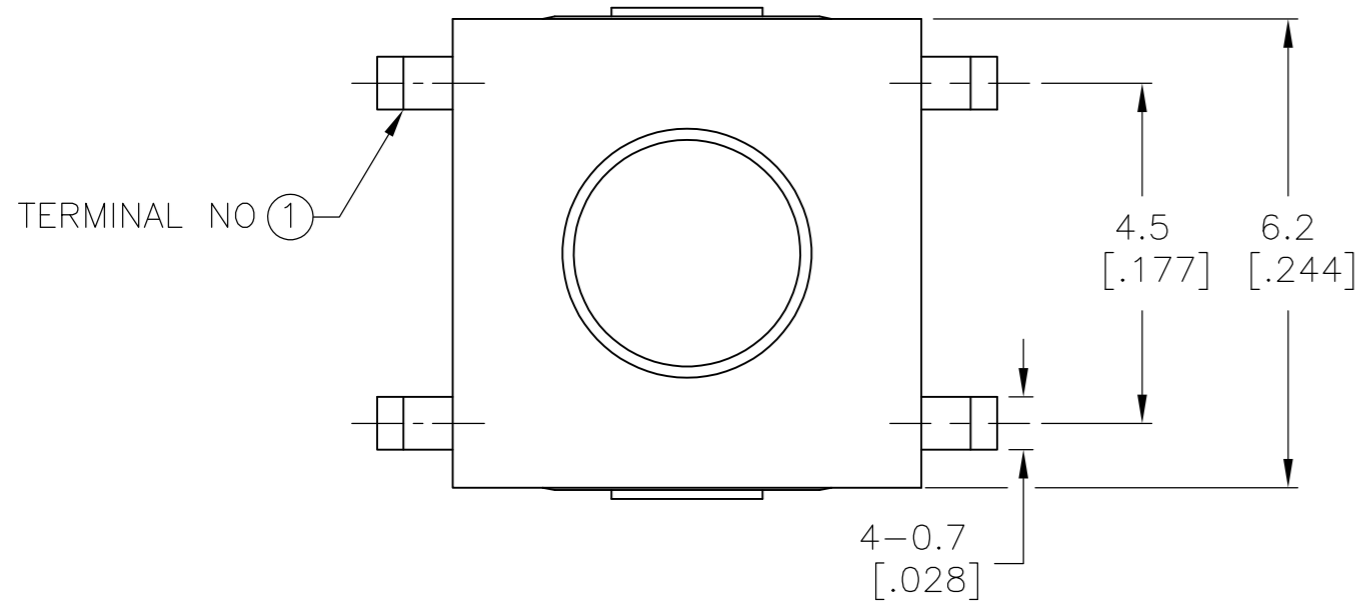


| REVISIONS | | | | | |
|-----------|-----|---------------------------|-----------|-----|------|
| P | LTR | DESCRIPTION | DATE | DWN | APVD |
| C5 | | REVISED PER ECO-16-018632 | 05APR2017 | SK | PO |



P.C.B MOUNTING SOLDER LAND DIMENSION

SPECIFICATIONS:

MATERIAL:

HOUSING, THERMOPLASTIC, UL94-V0, BLACK
 ACTUATOR, THERMOPLASTIC, UL94-V0, COLOR SEE TABLE
 TERMINAL, COPPER ALLOY, PLATE- SILVER OVER NICKEL
 COVER, COPPER ALLOY, TIN PLATE
 CONTACT, STAINLESS STEEL, SILVER PLATE

ELECTRICAL:

MAX CONTACT RATING: 50MILLIAMPS@24V DC
 MIN CONTACT RATING: 10MICROAMPS@1V DC
 INITIAL CONTACT RESISTANCE, 100 MILLIOHMS MAX, PER EIA-364-23B, EACH POSITION
 INSULATION RESISTANCE, 100 MEGOHM MIN. PER EIA-364-21C EACH POSITION
 DIELECTRIC STRENGTH, 500 V AC FOR 1 MINUTE, PER EIA-364-20B, CONDITION 1, EACH POSITION.
 CONTACT BOUNCE, 10 MILLISECOND MAX, PER EIA 448-1B, METHOD 15

MECHANICAL:

ACTUATION FORCE, SEE TABLE
 ACTUATION TRAVEL, .25+/- .1 mm
 LIFE EXPECTANCY, SEE TABLE, VALUES GIVEN ARE MINIMUM, (2 CYCLES PER SECOND AND 150% ACTUATION FORCE), PER EIA-448 METHODS 8 & 9
 VIBRATION, PER EIA 364-28D, CONDITION VII, LEVEL E, DURATION 1.5 HOURS
 MECHANICAL SHOCK, PER EIA-364-27C, CONDITION A

ENVIRONMENTAL

OPERATING TEMPERATURE, -35 TO +85 DEGREES C, PER EIA-448, METHOD 10 (2 CYCLES PER SECOND)
 STORAGE TEMPERATURE, -35 TO +85 DEGREES C
 HUMIDITY AND TEMPERATURE CYCLING PER EIA-364-31B, METHOD III
 THERMAL SHOCK, PER EIA-364-32C, -35 TO +85 DEGREES C
 SOLDERABILITY, PER EIA-364-52, CLASS 2, CATEGORY 1, TEMP, 245 DEGREES C MAX, TIME, 2.5 SECONDS MAX, 95% MINIMUM COVERAGE
 RESISTANCE TO SOLDER HEAT, PER 109-201 COND B.
 1. NO CHANGE IN INITIAL ELECTRICAL AND MECHANICAL CHARACTERISTICS

NOTES:

- TAPE AND REEL PACKAGING PER EIA 481, TAPE WIDTH 12mm, PITCH 8.0mm, 3000 PER REEL
- ALL MATERIALS AND FINISHES SHALL COMPLY WITH EU DIRECTIVE 2002/95/EC OF 27JAN2003 (ROHS)

| | COLOR | PACKAGING | CYCLE LIFE | FORCE | DIM L | PART NO. |
|----------|-------------------|-----------------|----------------------|---------------------|------------------|----------------------|
| | VIOLET | T&R | 1,00,000 | 260±50gf | 2.5mm | 1-1571626-0 |
| OBSOLETE | VIOLET | BULK | 1,00,000 | 260±50gf | 2.5mm | 1571626-9 |
| | RED | T&R | 1,000,000 | 160±50gf | 2.0mm | 1571626-8 |
| OBSOLETE | RED | BULK | 1,000,000 | 160±50gf | 2.0mm | 1571626-7 |
| | RED | T&R | 1,000,000 | 160±50gf | 2.5mm | 1571626-6 |
| OBSOLETE | RED | BULK | 1,000,000 | 160±50gf | 2.5mm | 1571626-5 |
| | GREEN | T&R | 1,000,000 | 100±50gf | 2.5mm | 1571626-4 |
| | GREEN | BULK | 1,000,000 | 100±50gf | 2.5mm | 1571626-3 |
| | IVORY | T&R | 1,000,000 | 50±30gf | 2.5mm | 1571626-2 |
| OBSOLETE | IVORY | BULK | 1,000,000 | 50±30gf | 2.5mm | 1571626-1 |

| | | | | | | | | | | | | | | | | | | | | | | | |
|--|---|-----------------------------|------------------|-------|-----------|------------|---------------|-------|---|---|-------|---|---|-------|---|---|--------|---|---|--------------|---|--|--|
| THIS DRAWING IS A CONTROLLED DOCUMENT. | | DWN M.BINNER 22SEP03 | | | | | | | | | | | | | | | | | | | | | |
| DIMENSIONS: mm [INCHES] | | CHK M.SARVER 22SEP03 | | | | | | | | | | | | | | | | | | | | | |
| TOLERANCES UNLESS OTHERWISE SPECIFIED: | | APVD M.SARVER 22SEP03 | NAME | | | | | | | | | | | | | | | | | | | | |
| <table border="1"> <tr><td>0 PLC</td><td>±</td><td>-</td></tr> <tr><td>1 PLC</td><td>±</td><td>0.3</td></tr> <tr><td>2 PLC</td><td>±</td><td>-</td></tr> <tr><td>3 PLC</td><td>±</td><td>-</td></tr> <tr><td>4 PLC</td><td>±</td><td>-</td></tr> <tr><td>ANGLES</td><td>±</td><td>-</td></tr> </table> | | 0 PLC | ± | - | 1 PLC | ± | 0.3 | 2 PLC | ± | - | 3 PLC | ± | - | 4 PLC | ± | - | ANGLES | ± | - | PRODUCT SPEC | PUSHBUTTON SWITCH, 6X6 mm, SMT, GULL WING | | |
| 0 PLC | ± | - | | | | | | | | | | | | | | | | | | | | | |
| 1 PLC | ± | 0.3 | | | | | | | | | | | | | | | | | | | | | |
| 2 PLC | ± | - | | | | | | | | | | | | | | | | | | | | | |
| 3 PLC | ± | - | | | | | | | | | | | | | | | | | | | | | |
| 4 PLC | ± | - | | | | | | | | | | | | | | | | | | | | | |
| ANGLES | ± | - | | | | | | | | | | | | | | | | | | | | | |
| MATERIAL | | FINISH | APPLICATION SPEC | SIZE | CAGE CODE | DRAWING NO | RESTRICTED TO | | | | | | | | | | | | | | | | |
| SEE NOTES | | | | A2 | - | C=1571626 | | | | | | | | | | | | | | | | | |
| | | WEIGHT | 0 | SCALE | 10:1 | SHEET | 1 OF 1 | | | | | | | | | | | | | | | | |
| | | CUSTOMER DRAWING | | | | REV | C5 | | | | | | | | | | | | | | | | |