

THIS DRAWING IS UNPUBLISHED.

RELEASED FOR PUBLICATION

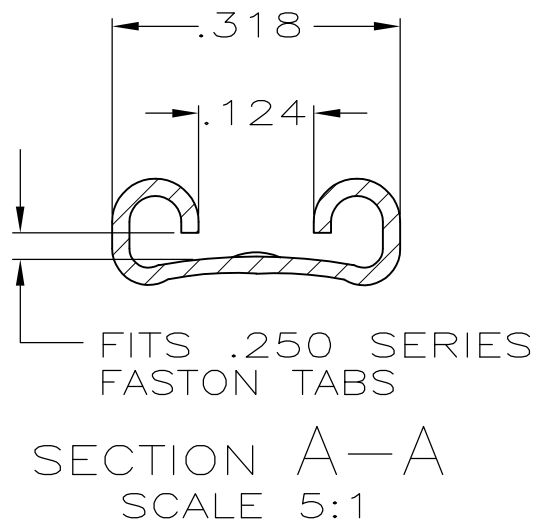
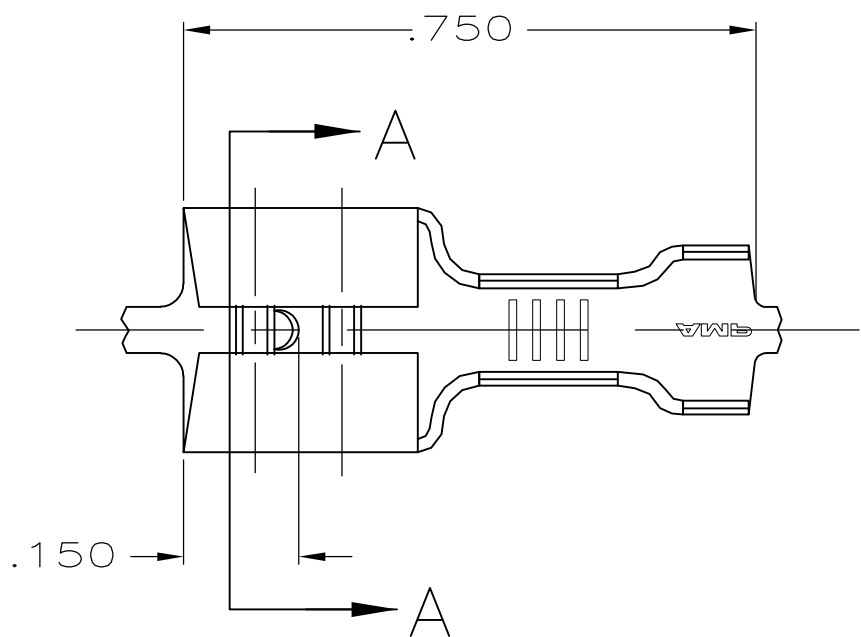
ALL RIGHTS RESERVED.

© COPYRIGHT - By -

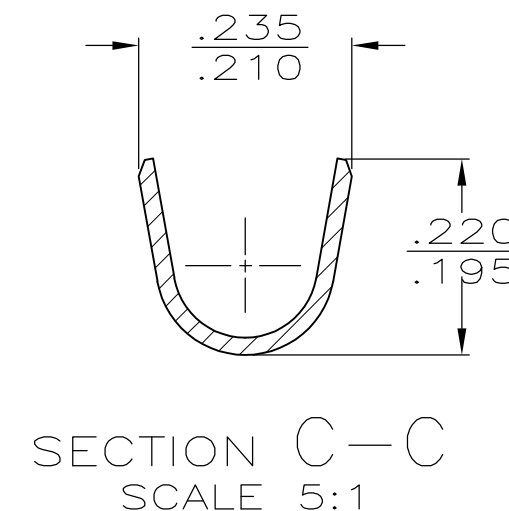
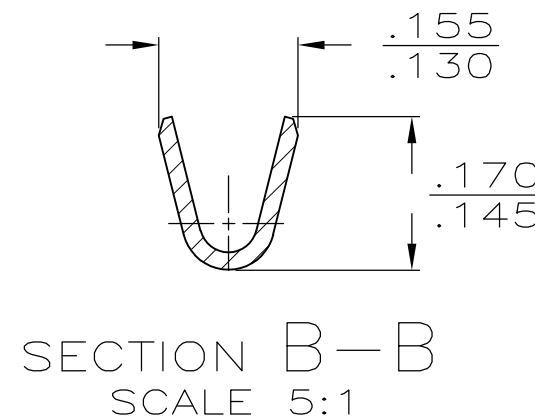
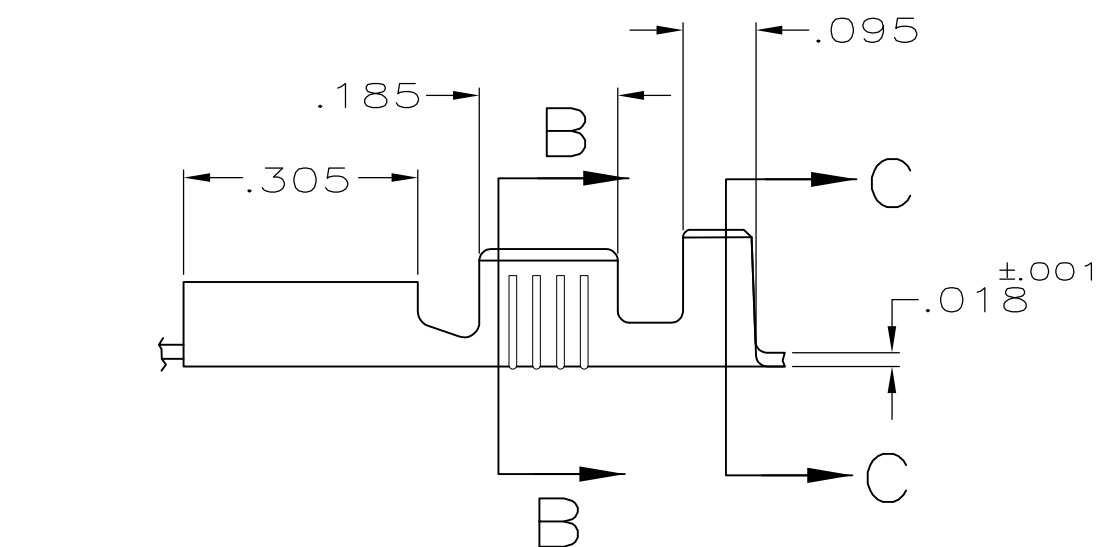
LOC AF DIST 50

REVISIONS

P	LTR	DESCRIPTION	DATE	DWN	APVD
N		REVISED PER ECR-11-018063	07DEC11	KH	PD



- 1 CONTINUOUS STRIP ON REELS.
- 2 MAX FIRST ENGAGEMENT FORCE, 20 LBS, USING GAGE 100505.
- 3 FEED TO BE $.840 \pm .005$.
- 4 WIRE SIZE IS #18-#14 AWG.
- 5 MATING TAB THK IS $.032 \pm .001$.
- 6 INSULATION RANGE IS .120-.170 DIA
- 7 SPECIAL PACKAGING QUANTITY
- 8 PRELIMINARY - NOT FOR PRODUCTION



7 8 41774-1
41774

THIS DRAWING IS A CONTROLLED DOCUMENT.		DWN JR RUTH 6/13/91	TE Connectivity																
DIMENSIONS: INCHES		CHK MS FEHER 6/13/91				RECEPTACLE, FASTON™ .250 SERIES													
TOLERANCES UNLESS OTHERWISE SPECIFIED:		APVD C MEYERS 6/13/91	NAME	SIZE	CAGE CODE				DRAWING NO	RESTRICTED TO									
<table border="0"> <tr><td>0 PLC</td><td>± -</td></tr> <tr><td>1 PLC</td><td>± -</td></tr> <tr><td>2 PLC</td><td>± -</td></tr> <tr><td>3 PLC</td><td>± .015</td></tr> <tr><td>4 PLC</td><td>± -</td></tr> <tr><td>ANGLES</td><td>± -</td></tr> </table>		0 PLC	± -	1 PLC	± -	2 PLC	± -	3 PLC	± .015	4 PLC	± -	ANGLES	± -	PRODUCT SPEC	A300779		C-41774		-
0 PLC	± -																		
1 PLC	± -																		
2 PLC	± -																		
3 PLC	± .015																		
4 PLC	± -																		
ANGLES	± -																		
MATERIAL T3 PHOS BRZ.		FINISH TIN	APPLICATION SPEC	CUSTOMER DRAWING		SCALE 4:1	SHEET 1 OF 1	REV N											