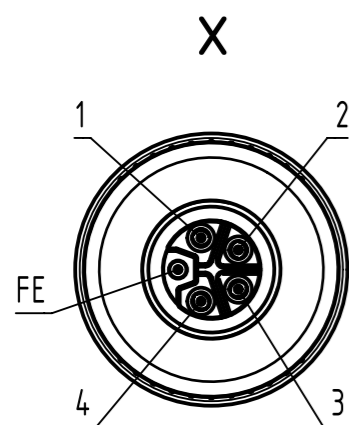
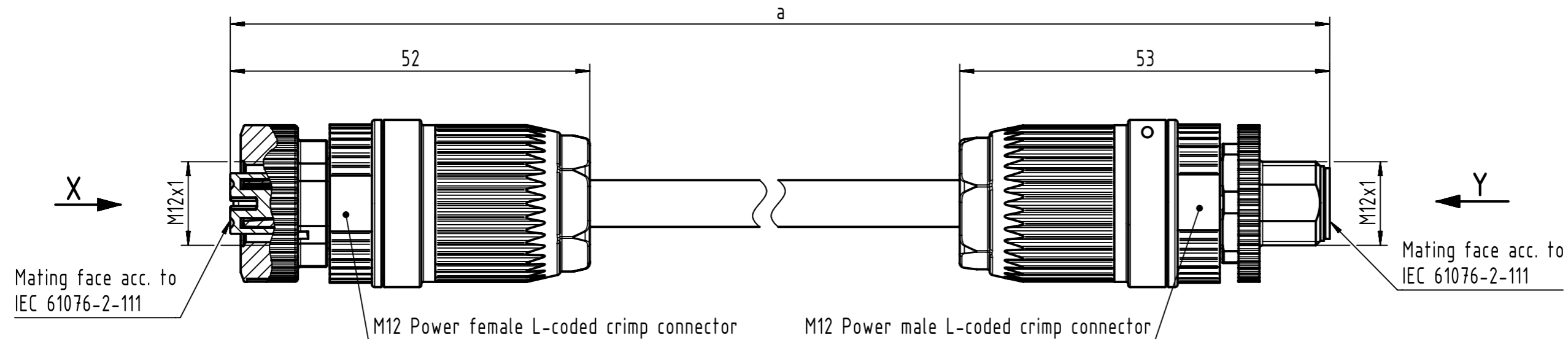


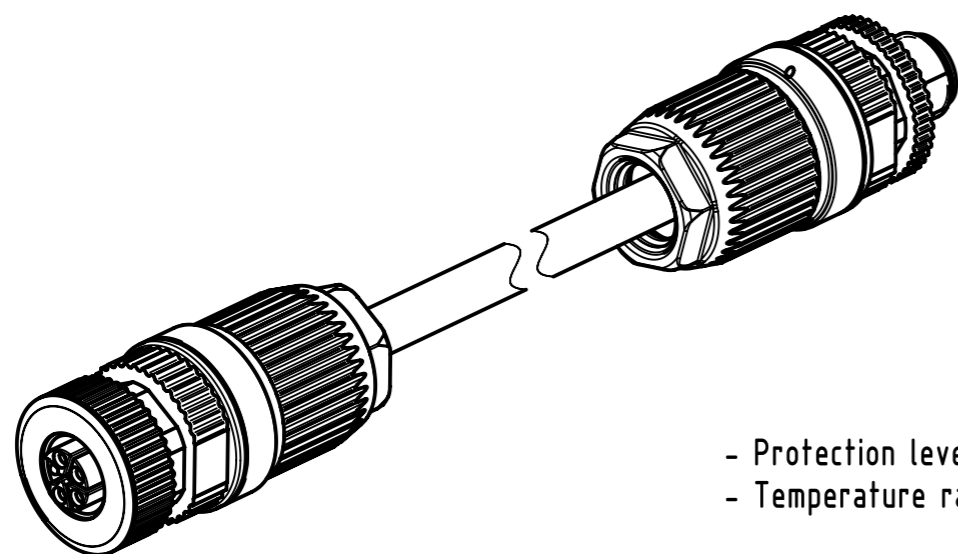
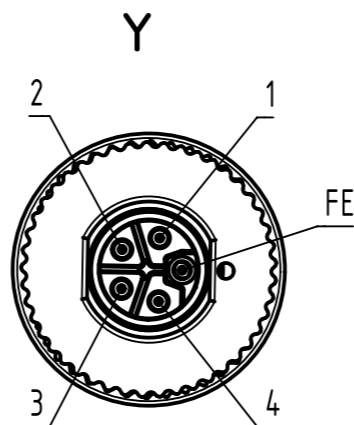
Connector Location A

Connector Location B



Loading-Plan:

1	wire 1	1
2	wire 2	2
3	wire 3	3
4	wire 4	4
FE	wire 5	FE



- Protection level: IP65/67
 - Temperature range: -40°C ... +80°C

length in "1m" step	100	XXX=000
	99	XXX=990
	.	.
	12	XXX=120
length in "0.1m" step	11	XXX=110
	10	XXX=100
	9.9	XXX=099
	9.8	XXX=098
	.	.
	.	.
Step	0.5	XXX=005
	0.4	XXX=004
	0.3	XXX=003
	0.2	XXX=002
	a[m]	XXX

6.0 to 100	±1%
0.6 to 5.9	+0.04
0.2 to 0.5	+0.02
a [m]	Tolerance

OZ-500, PVC grey, 5x1,5mm ²	2133A7A8523XXX
Type of cable	Part no.

HARTING Customised Solutions D-32427 Minden	All rights reserved Department HCS - RO	Tech. Character. Created by COSTEA Inspected by MUNTEANV	Free size tol. Standardisation AVRAM	According to production drawing Date 2016-09-08 State Final Release	2016-09-07
		Title M12 L-coded Cable Assembly Type TB Number 2133A7A8523XXX			Doc-Key / ECM-Nr. 100689051/UGD/001/A 500000108685 Rev. A Page 1/1