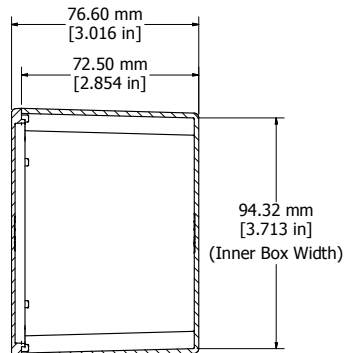
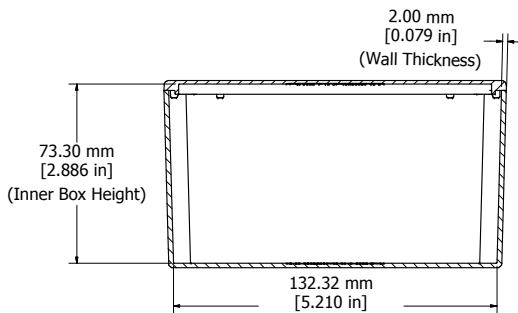
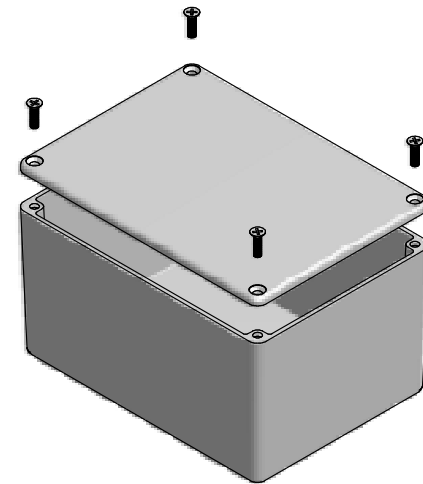


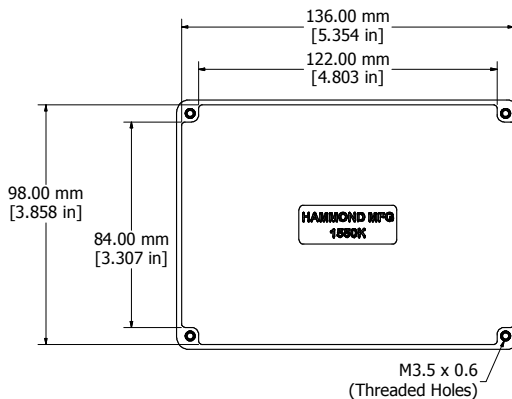
Top View of Assembly



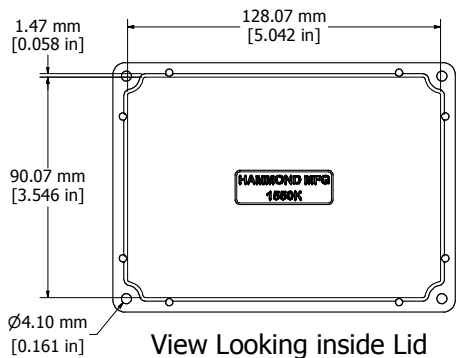
SECTION A-A  
End View of Assembly



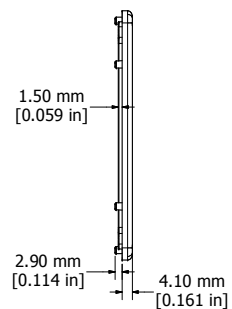
SECTION B-B  
Side View of Assembly



Top View Looking Inside Box



View Looking inside Lid



Enclosures can be Factory Modified ( Milling, Drilling, Printing etc. )  
Contact Factory [mjm@hammondmfg.com](mailto:mjm@hammondmfg.com) for quotes  
Solid models of this enclosure available in STEP or IGES.

NOTE	
Purchased assembly includes box, lid, and 4 cover screws. Box and lid are made from Diecast Aluminum Alloy. EVA Foam Gasket supplied with Liquid Resistant Enclosures	
PART NUMBERS	
1550K Enclosure	
Unfinished	1550K
Black Textured Polyester Powder Paint	1550KBK
1550WK Liquid Resistant Enclosure (Silicon Factory Installed Gasket)	
Unfinished	1550WK
Black Textured Polyester Powder Paint	1550WKBK
Accessories	
Recommended Torque: 75 ozf.in / 55 cN.m	
Unfinished Cover Screws (Pkg 100) [M3.5 x 0.6 18-8 SS]	1550MS100
Black Cover Screws (Pkg 100) [M3.5 x 0.6 18-8 SS]	1550MS100BK

