

- NOTES
- 1 LEAD CO-PLANARITY OF SIGNAL CONTACT TO BE 0.1 IN THE -0.1 TO +0.05 RANGE FROM PCB MOUNTING SURFACE.
  - 2 ASSEMBLY TOOL MARKS INDICATED IN THE FIGURE WILL NOT AFFECT PERFORMANCE. HIS PRODUCT SHALL BE MATED WITH A UNIT 'DH\*\*-37S' WHICH ASSEMBLED TO
  - 3 A COVER CASE 'DH-37-CT\*\*'. AN ASSEMBLY OF THE UNIT NEEDS A CLAMP 'DH-37-CM\*(\*\*\*)'.

NO.	MATERIAL	FINISH . REMARKS	NO.	MATERIAL	FINISH . REMARKS
3	STAINLESS STEEL	OVER : TIN PLATING 3μm MIN UNDER: NICKEL PLATING 1μm MIN	7	POLYPROPYLENE	CLEAR
2	PHOSPHOR BRONZE	CONTACT: GOLD PLATING 0.2μm MIN LEAD : GOLD PLATING 0.03μm MIN UNDER : NICKEL PLATING 1μm MIN	6	POLYAMIDE	PICK & PLACE TAPE
1	POLYAMIDE	BLACK, UL94V-0	5	STEEL	OVER : NICKEL PLATING 3μm MIN UNDER: COPPER PLATING 3μm MIN
			4	STEEL	OVER : NICKEL PLATING 3μm MIN UNDER: COPPER PLATING 3μm MIN

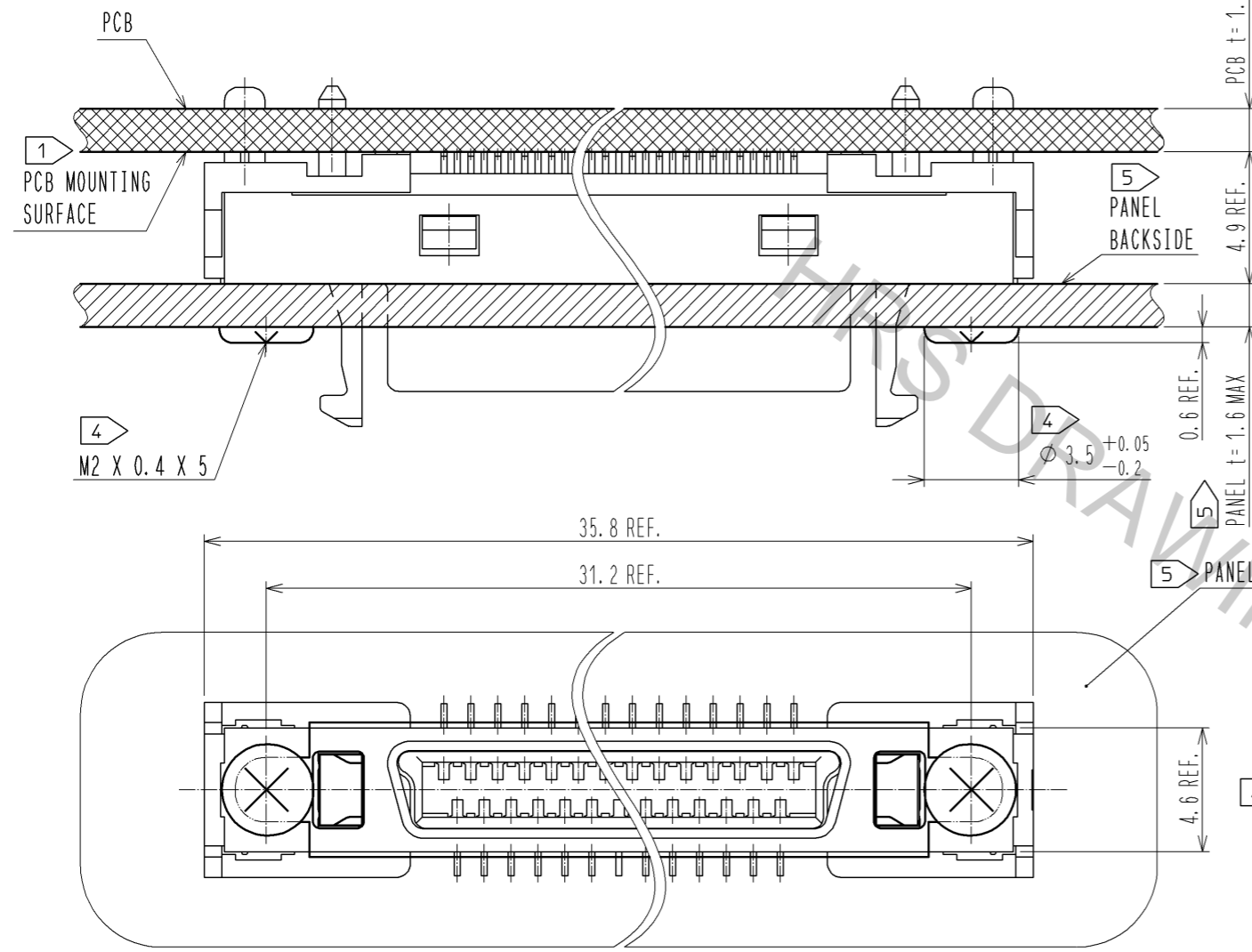
UNITS	SCALE	COUNT	DESCRIPTION OF REVISIONS	DESIGNED	CHECKED	DATE
mm	4:1	3	DIS-E-004181	MT. ITANO	KI. NAGANUMA	12.04.04

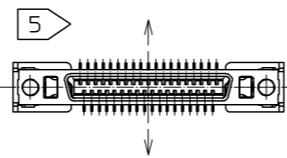
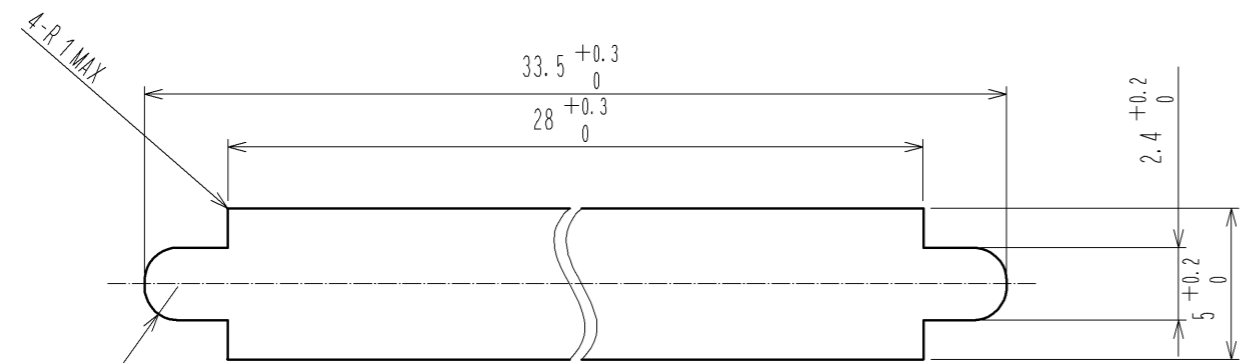
APPROVED : A0. SUZUKI	12.03.12	DRAWING NO.	EDC3-127954-00
CHECKED : RI. TAKAYASU	12.03.12	PART NO.	DH80A-37P
DESIGNED : MT. ITANO	12.03.12	CODE NO.	CL244-0068-5-00
DRAWN : MT. ITANO	12.03.12		

Apr.1.2017 Copyright 2017 HIROSE ELECTRIC CO., LTD. All Rights Reserved.

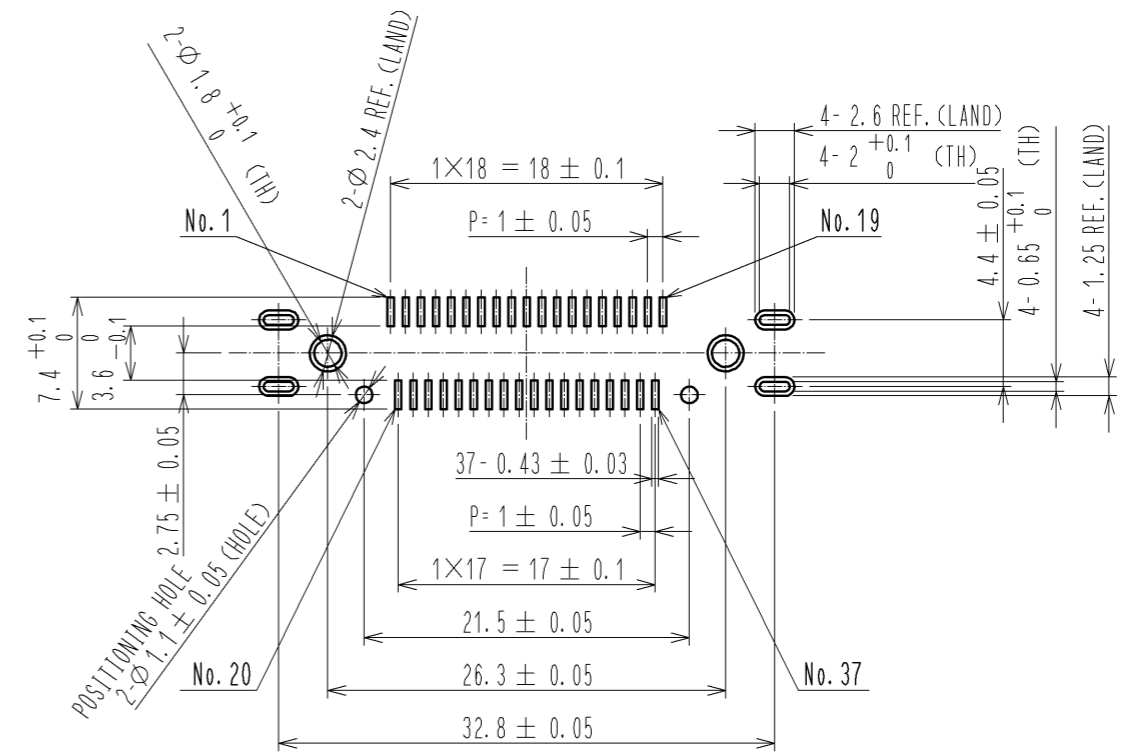
**CONNECTR MOUNTED ON PCB**  
(FOR EXAMPLE, PANEL THICKNESS IS 1.6mm)



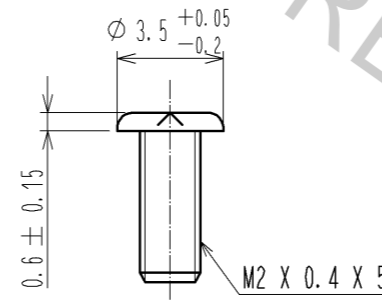
**5 PANEL CUTOUT FOR REFERENCE**



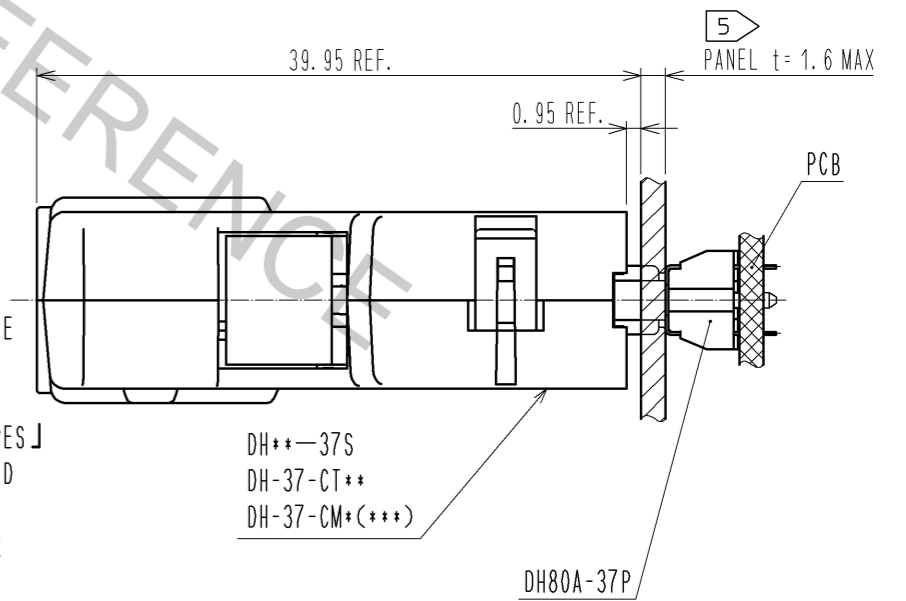
**PCB LAYOUT FOR REFERENCE (MOUNTING SURFACE SIDE) (2:1)**



**4 SCREW FOR INSTALLATION**



**MATED (2:1)**



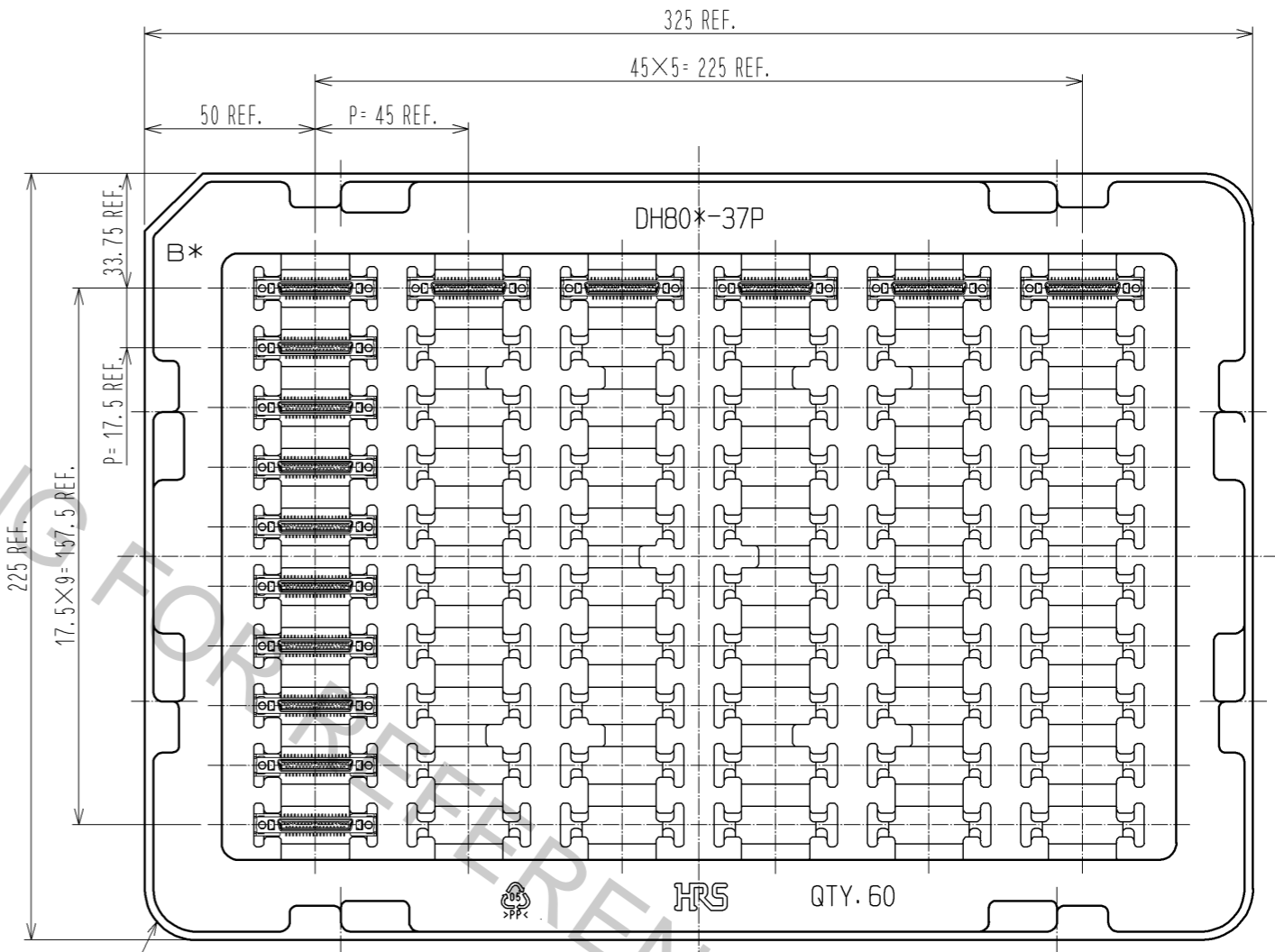
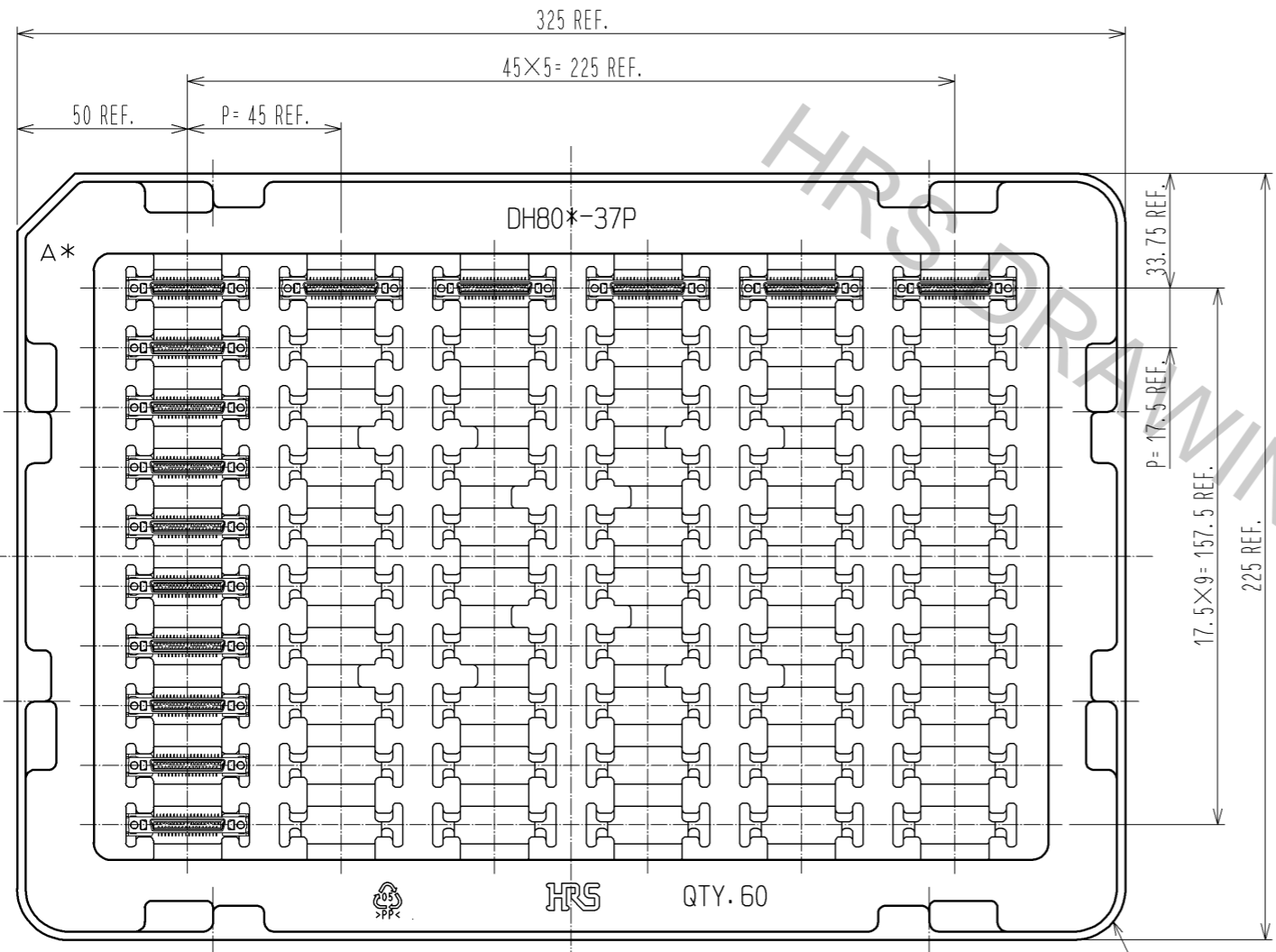
- NOTES**
- 4 INSTALLATION WITH THE PANEL MUST USE A DEDICATED SCREW.  
PURCHASE :NITTOSEIKO CO.,LTD.  
〔 FINE PAN HEAD MACHINE SCREW 2 TYPES 〕
  - 5 THIS PRODUCT WAS DESIGNED TO BE USED WITH FIXED ONTO A PANEL.  
IN THE CASE THE PLUG IS MATED UNDER UN-FIXED CONDITION AND ADDED STRONG LOAD ON INDICATED DIRECTION, IT HAS A RISK OF BEING PEELED OFF FROM PCB. THEN PLEASE TAKE CARE ON HANDLING WHEN YOU USE IT UNDER THE CONDITION BY FIXING IT ONTO HOUSING OR THE OTHER WAYS.  
PANEL SIZE SHOULD USE 1.6 MM MAX.

<b>HRS</b>	DRAWING NO.	EDC3-127954-00
	PART NO.	DH80A-37P
	CODE NO.	CL244-0068-5-00
		2/3

DRAWING FOR PACKING (FREE)

A TYPE

B TYPE



※TRAYS, A TYPE AND B TYPE, ARE PILED UP ALTERNATELY.

<b>HRS</b>	DRAWING NO.	EDC3-127954-00
	PART NO.	DH80A-37P
	CODE NO.	CL244-0068-5-00