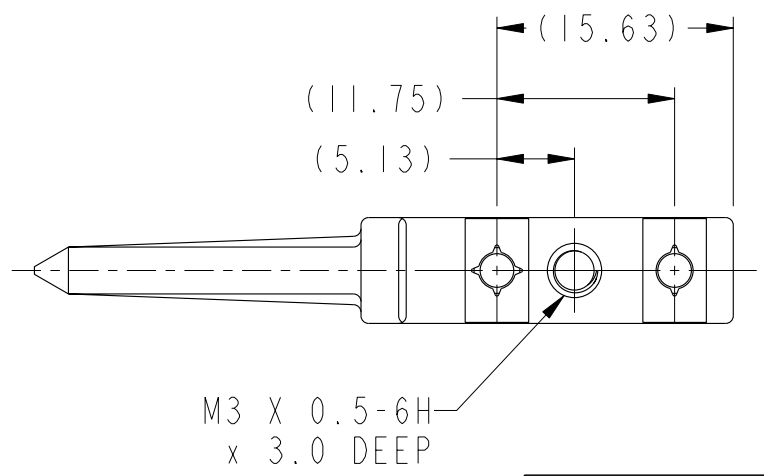
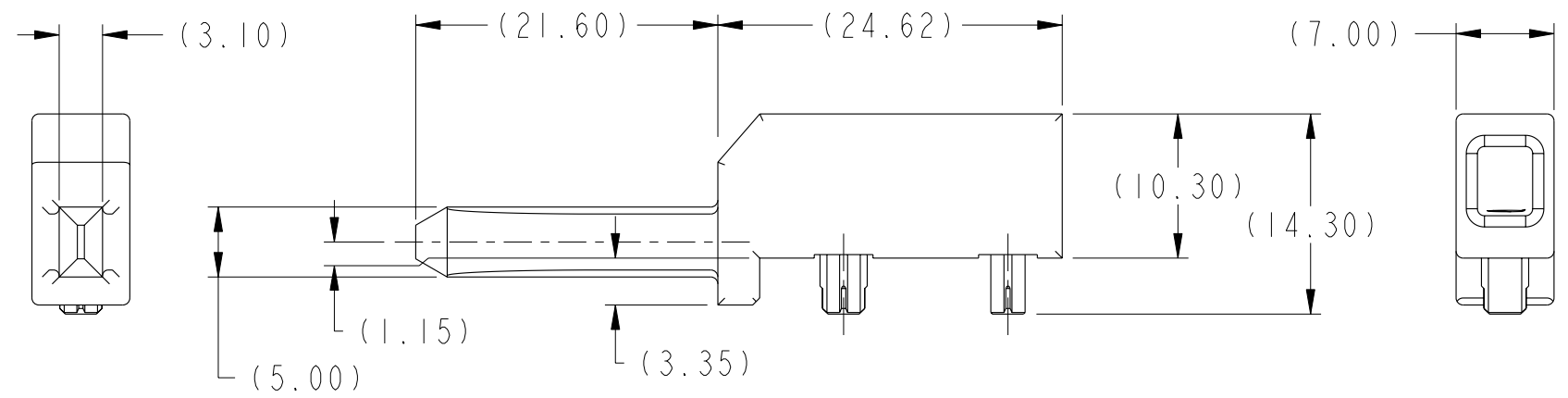


PRODUCT NUMBER  
SEE TABLE, SHEET 2



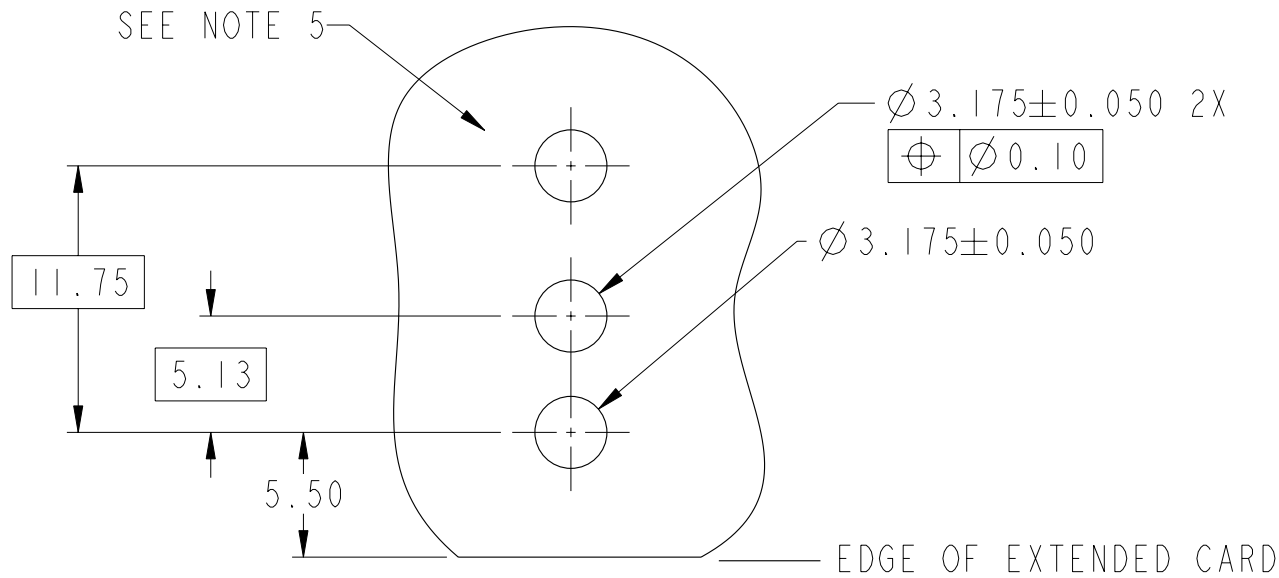
Copyright FCI.

rev	ecn no	dr	date
A	S09-0061	CH	2009-02-25
-	-	-	-
-	-	-	-
-	-	-	-
-	-	-	-
-	-	-	-

www.fciconnect.com		surface 3.2 ASME Y14.5	tolerance std ASME Y14.5	projection MM
TOLERANCES UNLESS OTHERWISE SPECIFIED		0.X ±0.3	0.XX ±0.10	0.XXX ±0.050
Dr	C. H. TAN	2008-05-02	ANGULAR	LINEAR
Eng	C. H. TAN	2008-05-02	0°	±°
Chr	C. H. TAN	2009-02-25	Product family AirMax Accessories	
Appr	JOEY NG	2009-02-25	Spec ref	
FCI			7.2mm R/A GUIDE BLADE	10088275
3 PR, INVERSE COPLANAR			CUSTOMER	Rev. A
catalog no			-	sheet 1 of 2

REV F - 2006-04-17

Product number  
10088275-101LF



NOTES:

1. MATERIAL: ZINC ALLOY.
2. FINISH: TRIVALENT CHROMATE IRIDESCENT.
3. APPLICATION SPECIFICATION: GS-20-045.
4. REFER TO CUSTOMER DRAWING 10035911 FOR INFORMATION REGARDING PCB LAYOUT OF POWER AND GUIDE MODULES RELATIVE TO SIGNAL MODULES.
5. RIGHT ANGLE PIN MODULE HAS THE SAME PCB FOOTPRINT AS RIGHT ANGLE RECEPTACLE MODULE (REF P/N 10045367 SHEET 2).
6. THIS PRODUCT MEETS EUROPEAN DIRECTIVES AND OTHER COUNTRY REGULATIONS AS DESCRIBED IN GS-22-008
7. PACKAGING MEETS GS-14-920 LEAD FREE LABELING SPECIFICATION.

RECOMMENDED PCB LAYOUT  
NOTE 4  
SCALE 3:1



title	7.2mm R/A GUIDE BLADE	dwg no	10088275	Rev.	A
	3 PR, INVERSE COPLANAR				
catalog no	-	CUSTOMER	sheet 2 of 2		