

NOTES:

1. MATERIALS AND FINISHES:

- BODY, R. RING, BODY REAR AND HEX NUTS - BRASS, NICKEL PLATING.
- CONTACT - BRASS & BERYLLIUM COPPER, GOLD PLATING.
- CRIMP FERRULE - ANNEALED COPPER, NICKEL PLATING.
- INSULATOR - PTFE
- O-RINGS - SILICONE RUBBER, RED

2. ELECTRICAL:

- A. IMPEDANCE: 50 OHM.
- B. FREQUENCY RANGE = DC TO 2.0 GHz

3. MECHANICAL:

- A. CONNECTOR IS IP-67 COMPLIANT.

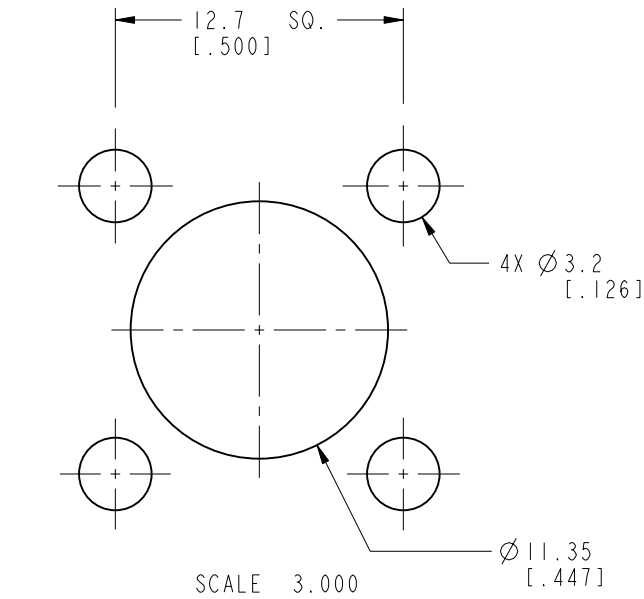
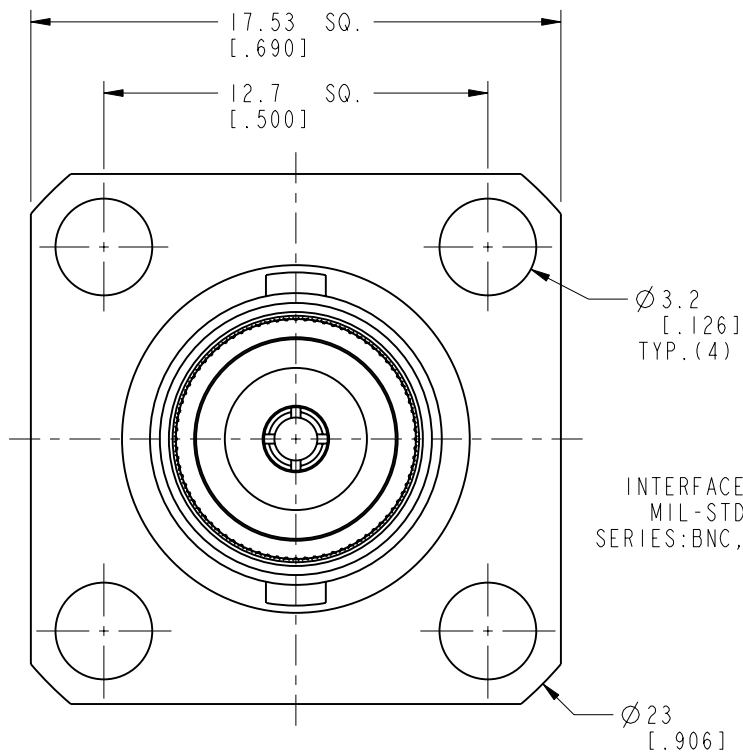
4. CABLE ASSEMBLY INSTRUCTIONS:

- A. TRIM CABLE AS SHOWN
- B. SLIDE FERRULE & BACK NUT ONTO CABLE
- C. CRIMP FERRULE USING 0.151" HEX DIE
- D. CRIMP OR SOLDER BULLET CONTACT TO CABLE CENTER CONDUCTOR
- E. INSERT CABLE WITH BULLET CONTACT INTO BODY
- F. APPLY THREAD LOCKING ADHESIVE ON THE THREADS OF THE BACK NUT
- G. TORQUE BACK NUT DOWN TO 15 INCH-LBS

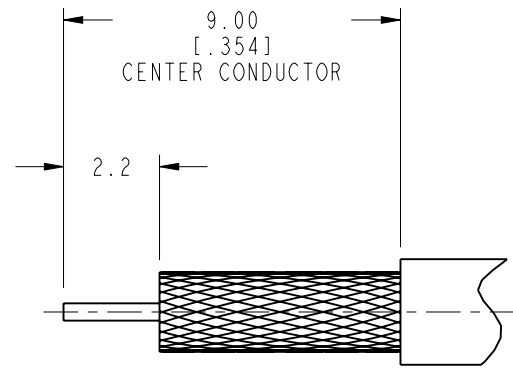
5. PACKAGING:

- A. QUANTITY: SINGLE PACK
- B. MARKING: BAG TO BE MARKED "AMPHENOL RF, 31-6427, AND DATE CODE"

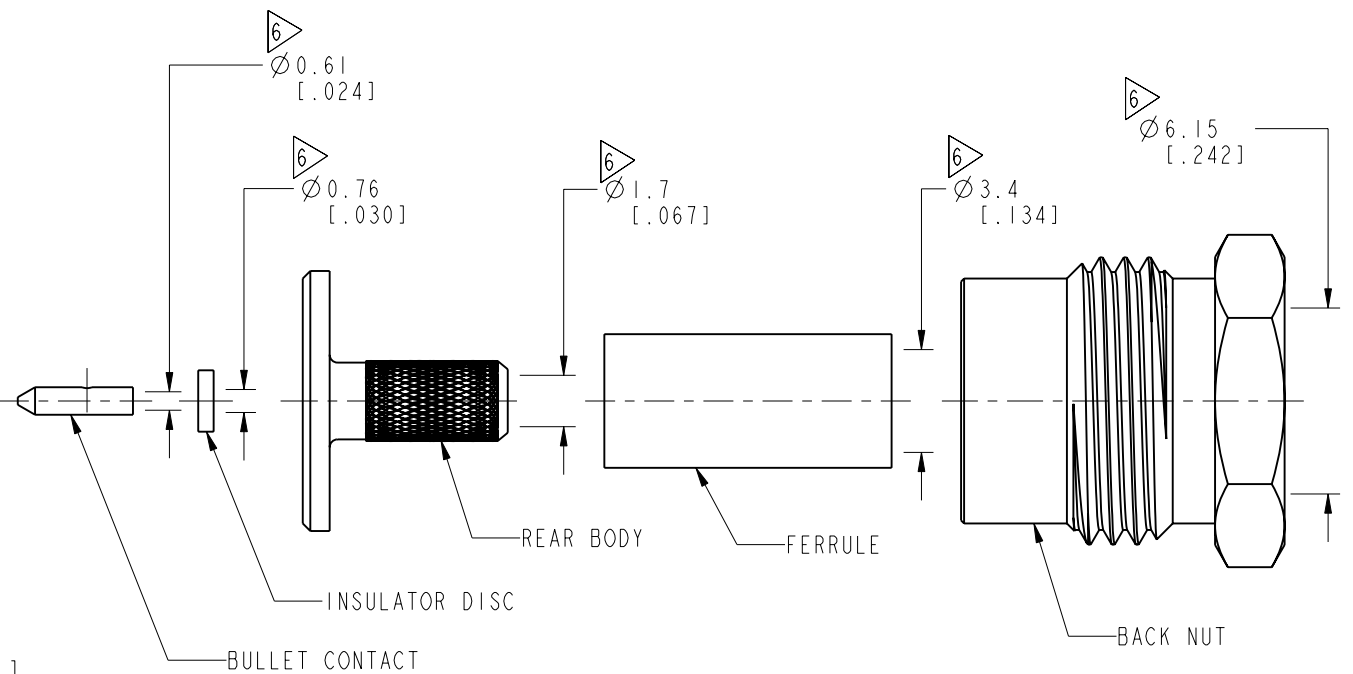
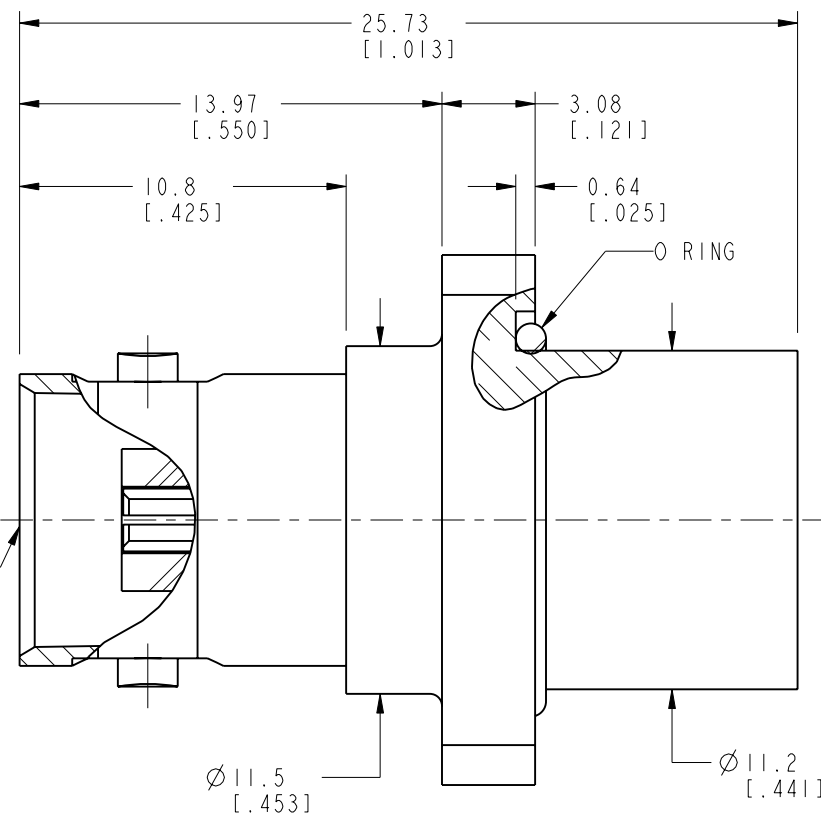
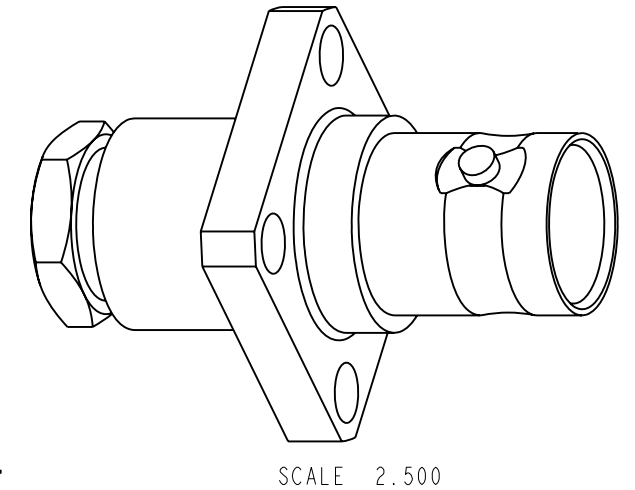
6 SHOWS CABLE ENTRY DIMENSIONS



RECOMMENDED MOUNTING HOLE DIMENSIONS



RECOMMENDED CABLE STRIPPING DIMENSIONS



CUSTOMER OUTLINE DRAWING

ALL OTHER SHEETS ARE FOR INTERNAL USE ONLY

| | |
|--|--------|
| UNLESS OTHERWISE SPECIFIED, DIMENSIONS ARE IN METRIC AND TOLERANCES ARE: | ANGLES |
| < 0.5mm ± 0.05mm | ± 1° |
| 0.5 - 6mm ± 0.1mm | |
| 6 - 30mm ± 0.2mm | |
| 30 - 120mm ± 0.3mm | |

NOTICE - These drawings, specifications, or other data (1) are, and remain the property of Amphenol corp. (2) must be returned upon request; and (3) are confidential and not to be disclosed to any person other than those to whom they are given by Amphenol Corp. the furnishing of these drawings, specifications, or other data by Amphenol Corp., or to any other person to anyone for any purpose is not to be regarded by implication or otherwise in any manner licensing, granting rights to permitting such holder or any other person to manufacture, use or sell any product, process or design, patented or otherwise, that may in any way be related to or disclosed by said drawings, specifications, or other data.

| | |
|----------------------|------------|
| MATERIAL | SEE NOTES |
| REFERENCE | EAR # 3678 |
| CONFIGURATION LEVEL: | |
| FINISH | |

| | | | |
|----------|-------------------------|------|-----------|
| DRAWN | T.DENG | DATE | 14-Dec-10 |
| ENGINEER | NISCHIT MV | DATE | 27-Aug-09 |
| APPROVED | S.HSIEH | DATE | 15-Dec-10 |
| CAD FILE | Root Folder/BNC/31-6427 | | |

| | |
|-------------------------|--------------|
| TITLE | |
| BNC, JACK 4 HOLE FLANGE | |
| IP 67 FOR RD 316 | |
| CABLE | |
| SCALE: 4.0:1.0 | SHEET 2 OF 2 |
| DWG SIZE | REV |
| B | A |

| | |
|---|--|
| Amphenol RF | |
| Danbury CT USA, Tainan, Taiwan, Shenzhen, China | |
| www.amphenolrf.com | |
| DRAWING NO. 31-6427 | |
| ITEM NO. 31-6427 | |
| PART NO. 31-6427 | |