

**INLINE TYPE 4**

**INDUSTRY STANDARDS**

Mounting brackets required to meet UL/CSA external mounting requirements.

UL 508A Listed; Type 3, 4, 12; File No. E61997  
 cUL Listed per CSA C22.2 No. 94; Type 3, 4, 12; File No. E61997

NEMA/EEMAC Type 4 and 12  
 CSA, File No. 42186: Type 4 and 12  
 IEC 60529, IP66

**APPLICATION**

Aesthetic styling, with an attractive, durable light-gray finish, makes INLINE Enclosures an excellent choice when style and functionality are important. INLINE Enclosures have an outward formed flange to prevent contaminants from entering the enclosure and are available in three versions: window door, hinged solid door and solid screw cover.

**SPECIFICATIONS**

- Metric dimensions
- 1.4-mm (16 gauge) steel
- Seams continuously welded and ground smooth
- External formed body flange channels away liquids
- Large perimeter body opening
- Mounting holes in back of body for direct mounting or optional external mounting brackets
- Seamless foam-in-place gasket
- Grounding stud on the body
- Bonding provision on the door
- Hardware kit includes panel mounting screws, grounding hardware and sealing washers for wall-mounting holes
- Installation instructions

**INLINE Screw-Cover Enclosures**

- Captivated cover screws with sealing bushings

**INLINE Hinged-Door and Window-Door Enclosures**

- Door opens 180 degrees
- Removable hinged door
- Self-grounding, slotted quarter-turn latch
- Flush-mounted 4.8-mm (3/16-in.) clear polycarbonate window

**FINISH**

RAL 7035 textured light-gray polyester powder paint inside and out

**ACCESSORIES**

*See also Accessories.*

DIN Rail or Panel-Mounting Brackets  
 DIN3 Rails  
 Lock Inserts  
 Mounting-Bracket Kit  
 Panels for Junction Boxes  
 Wing Knob Latch

**MODIFICATION AND CUSTOMIZATION**

Hoffman excels at modifying and customizing products to your specifications. Contact your local Hoffman sales office or distributor for complete information.

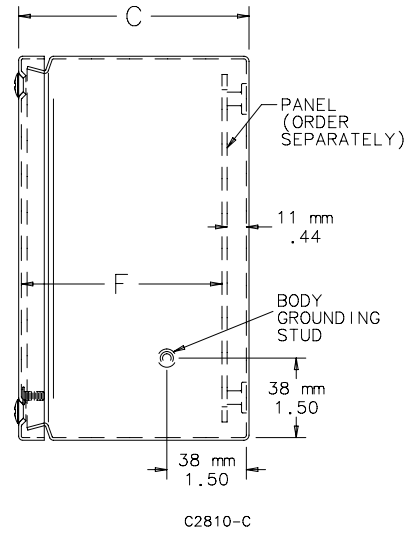
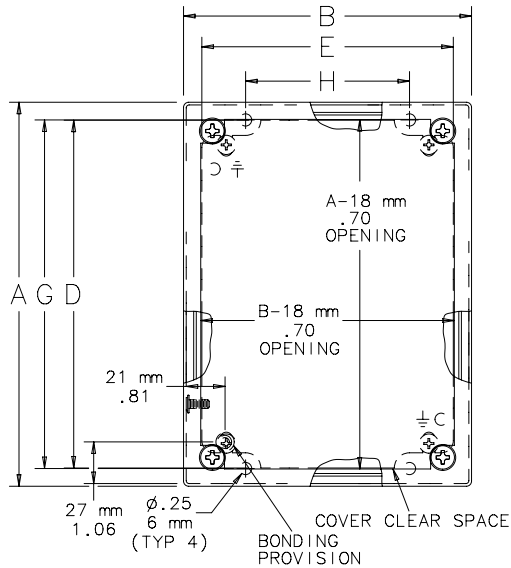
**BULLETIN: A54**

Standard Product **IN-LINE Screw-Cover Enclosures**

Catalog Number	AxBxC mm/in.	Panel	Conductive Panel	Panel Size D x E mm/in.	Mounting G x H mm/in.	F mm/in.
LSC151512	150 x 150 x 120 5.91 x 5.91 x 4.72	LP1515	LP1515G	131 x 131 5.16 x 5.16	132 x 85 5.18 x 3.36	105 4.13
LSC201512	200 x 150 x 120 7.87 x 5.91 x 4.72	LP2015	LP2015G	181 x 131 7.13 x 5.16	182 x 85 7.15 x 3.36	105 4.13
LSC252015	250 x 200 x 150 9.84 x 7.87 x 5.91	LP2520	LP2520G	231 x 181 9.09 x 7.13	232 x 135 9.12 x 5.33	135 5.31
LSC302515	300 x 250 x 150 11.81 x 9.84 x 5.91	LP3025	LP3025G	281 x 231 11.06 x 9.09	281 x 185 11.08 x 7.30	135 5.31
LSC353020	350 x 300 x 200 13.78 x 11.81 x 7.87	LP3530	LP3530G	331 x 281 13.03 x 11.06	331 x 235 13.05 x 9.27	185 7.28

Purchase panels separately.

IN-LINE Screw Cover Enclosure



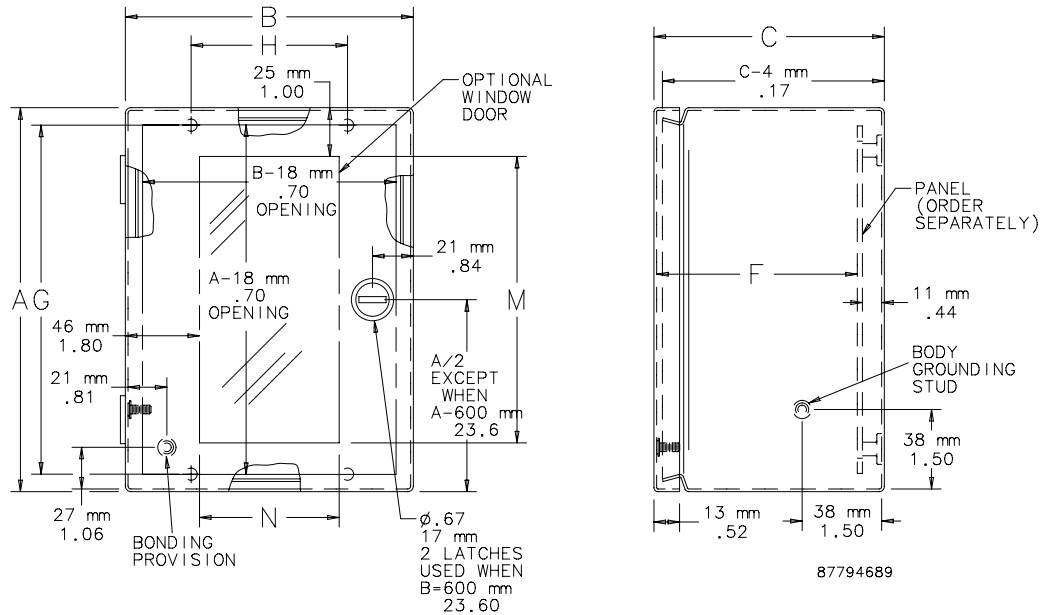
NOTE: Rear mounting holes will accommodate M6-1.0 or 1/4-20 UNC mounting screws (supplied by customer)

**Standard Product INLINE Hinged-Door Enclosures**

Catalog Number	AxBxC mm/in.	Panel	Conductive Panel	Panel Size D x E mm/in.	Mounting G x H mm/in.	F mm/in.
LHC151512	150 x 150 x 120 5.91 x 5.91 x 4.72	LP1515	LP1515G	131 x 131 5.16 x 5.16	132 x 85 5.18 x 3.36	105 4.13
LHC201512	200 x 150 x 120 7.87 x 5.91 x 4.72	LP2015	LP2015G	181 x 131 7.13 x 5.16	182 x 85 7.15 x 3.36	105 4.13
LHC252015	250 x 200 x 150 9.84 x 7.87 x 5.91	LP2520	LP2520G	231 x 181 9.09 x 7.13	232 x 135 9.12 x 5.33	135 5.31
LHC302515	300 x 250 x 150 11.81 x 9.84 x 5.91	LP3025	LP3025G	281 x 231 11.06 x 9.09	281 x 185 11.08 x 7.30	135 5.31
LHC353020	350 x 300 x 200 13.78 x 11.81 x 7.87	LP3530	LP3530G	331 x 281 13.03 x 11.06	331 x 235 13.05 x 9.27	185 7.28

Purchase panels separately.

INLINE Hinged Door and Window Door Enclosures



Standard Product **INLINE Window-Door Enclosures**

Catalog Number	AxBxC mm/in.	Panel	Conductive Panel	Panel Size D x E mm/in.	Mounting G x H mm/in.	Window Size M x N mm/in.	F mm/in.
LWC201512	200 x 150 x 120 7.87 x 5.91 x 4.72	LP2015	LP2015G	181 x 131 7.13 x 5.16	182 x 85 7.15 x 3.36	149 x 65 5.87 x 2.31	101 3.98
LWC252015	250 x 200 x 150 9.84 x 7.87 x 5.91	LP2520	LP2520G	231 x 181 9.09 x 7.13	232 x 135 9.12 x 5.33	199 x 115 7.83 x 4.24	131 5.16
LWC302515	300 x 250 x 150 11.81 x 9.84 x 5.91	LP3025	LP3025G	281 x 231 11.06 x 9.09	281 x 185 11.08 x 7.30	249 x 165 9.80 x 6.25	131 5.16
LWC204015	200 x 400 x 150 7.87 x 15.75 x 5.91	LP2040	LP2040G	181 x 381 7.13 x 15.00	182 x 335 7.15 x 13.20	115 x 349 4.53 x 13.49	131 5.16
LWC206015	200 x 600 x 150 7.87 x 23.62 x 5.91	LP2060	LP2060G	181 x 581 7.13 x 21.06	182 x 535 7.15 x 21.08	115 x 549 4.53 x 21.36	131 5.16

Purchase panels separately.

LWC204015 and LWC206015 are hinged on "B" side of enclosure.

INLINE Hinged Door and Window Door Enclosures

