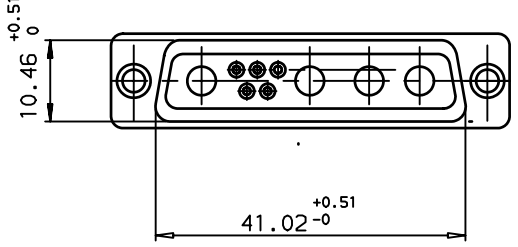
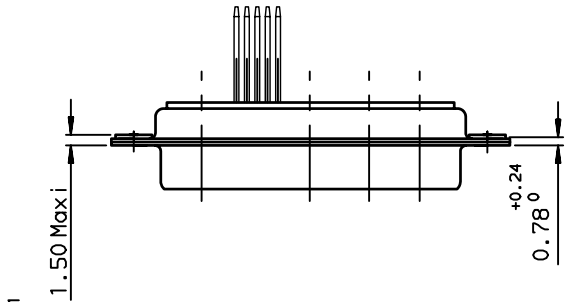
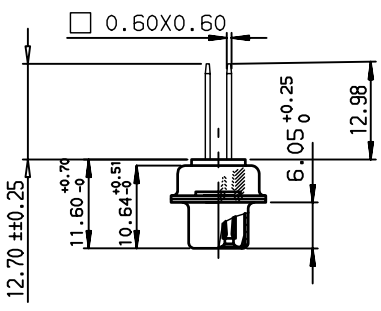
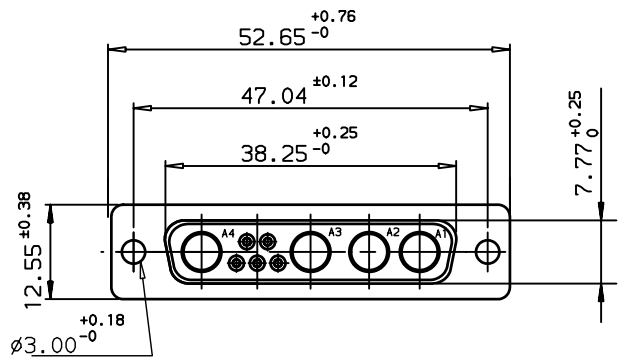
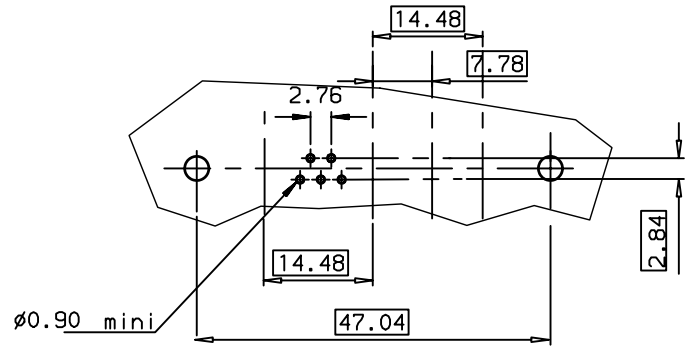


Copyright FCI. FCI



LAYOUT DIMENSIONS (after plating)
CONNECTOR SIDE VIEW



DB9W4S400A00LF
PART NUMBER

GENERAL CHARACTERISTICS AND ROHS INFORMATIONS:
SEE DRAWING C01-8639-0000

| rev | ecn no | dr | date |
|-----|-----------|-----|------------|
| A | LS05-0106 | MPE | 2005/12/01 |
| B | LS06-0095 | LGO | 2006/06/16 |
| C | LS07-0097 | MPE | 2007/04/06 |
| - | - | - | - |
| - | - | - | - |
| - | - | - | - |

| | | | | |
|---------------------------------------|--------|---------------------|-----------------------------------|-------------------------|
| www.fciconnect.com | | surface ISO 1302 | tolerance std ISO 406 ISO 1101 | projection mm |
| TOLERANCES UNLESS OTHERWISE SPECIFIED | | | | |
| Dr | PESSON | 2005/12/01 | 0.X | ±0.1 |
| Eng | PESSON | 2005/12/01 | 0.XX | ±0.1 |
| Chr | LEGARE | 2005/12/01 | 0.XXX | ±0.1 |
| Appr | LEGARE | 2005/12/01 | ANGULAR 0.XX' ±2' | LINEAR |
| Product family | | | D-SUB | size A3 |
| Spec ref | | | - | Scale 1.5 |
| ECN | | | LS07-0097 | Rev. C |
| title | | | SOCKET CONNECTOR WITH WIRE WRAP | |
| catalog no | | | - | dwg no C01-8639-2260 |
| CUSTOMER | | | sheet 1 of 1 | |

REV F - 2006-04-17