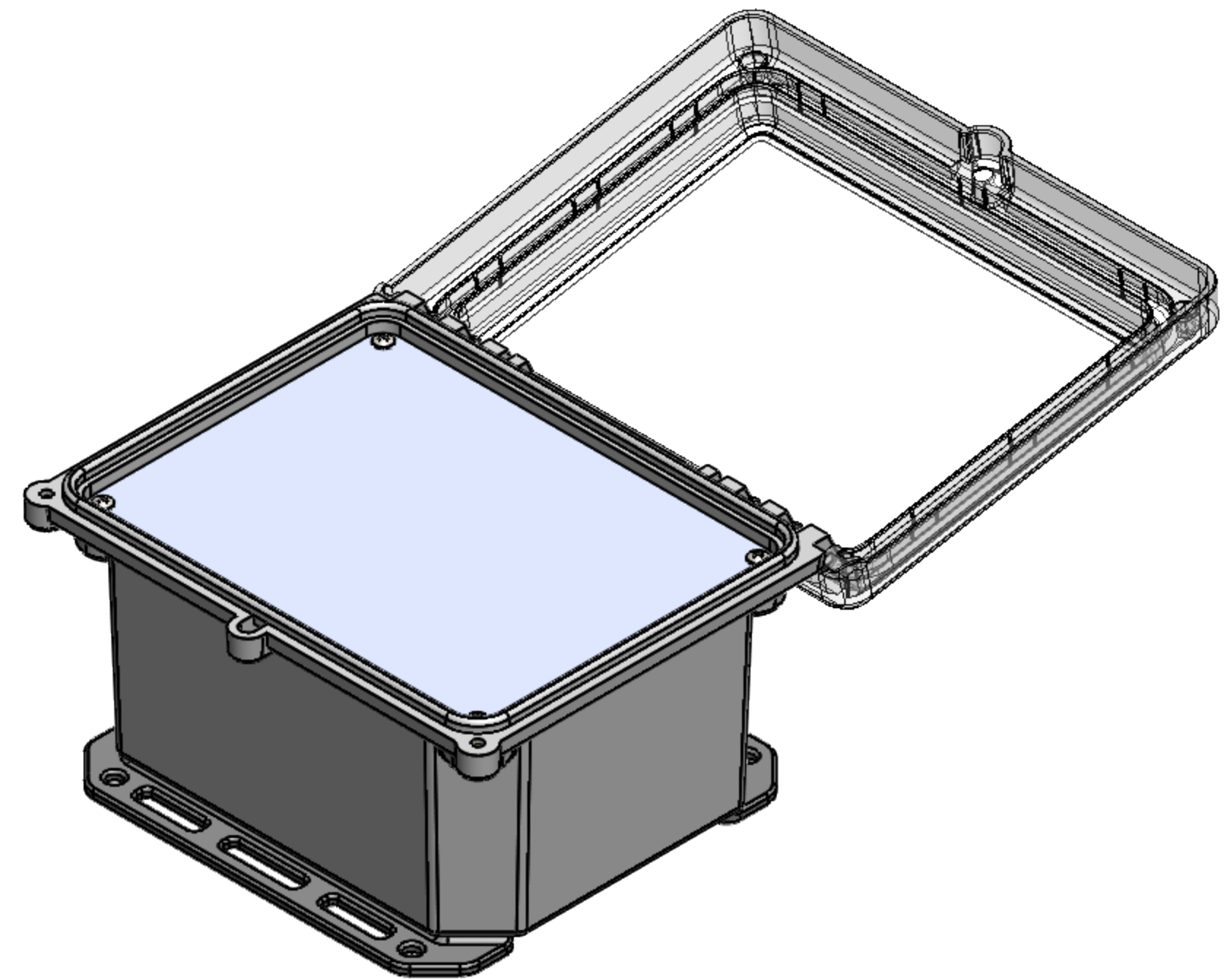
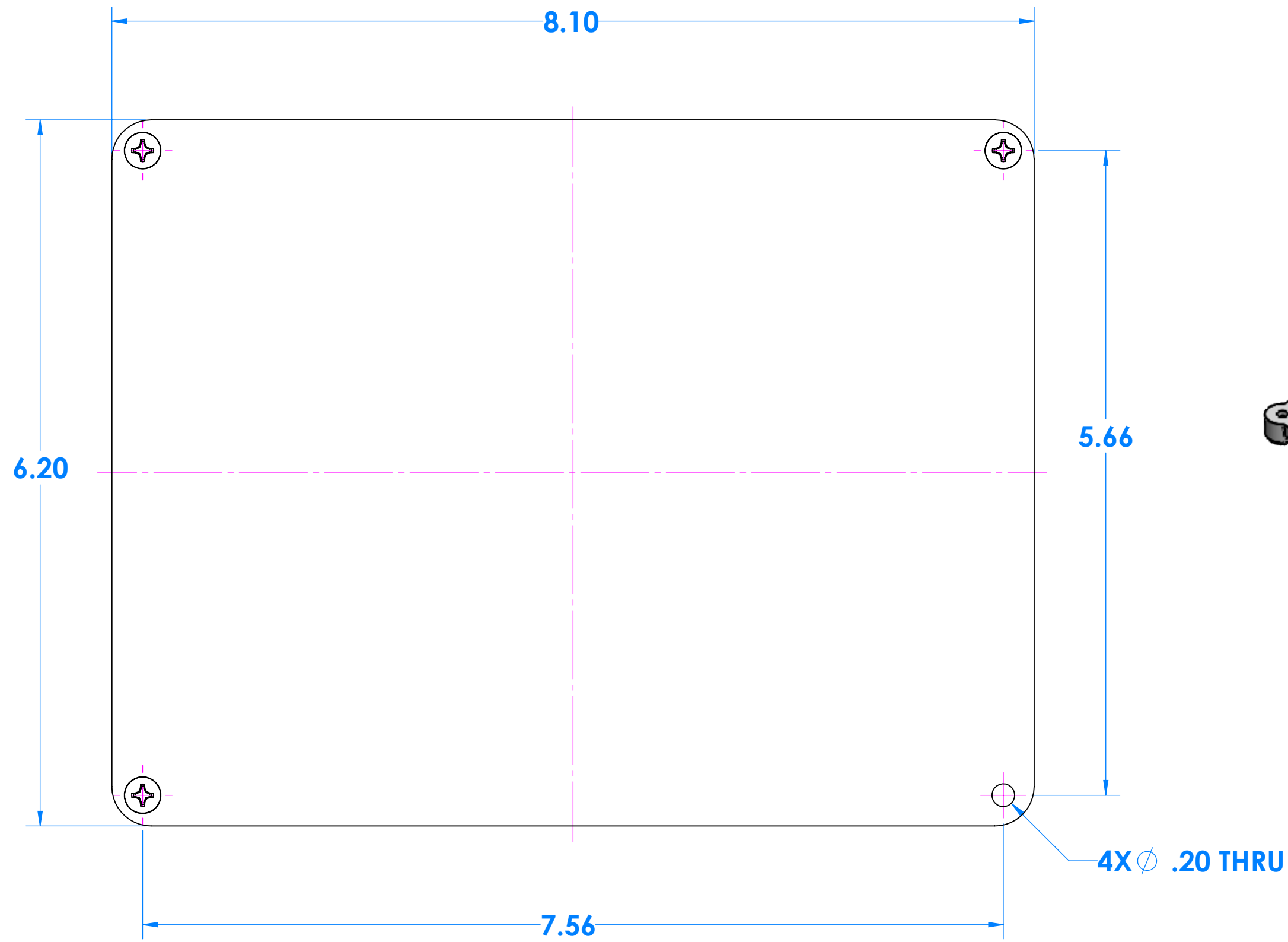
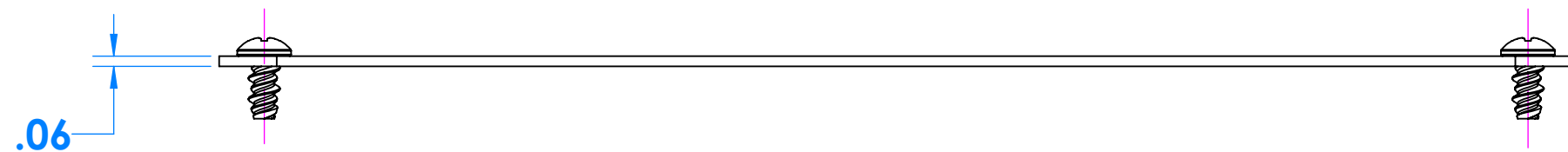


# 7100T Top Panel Kit for I152HL and I152HS

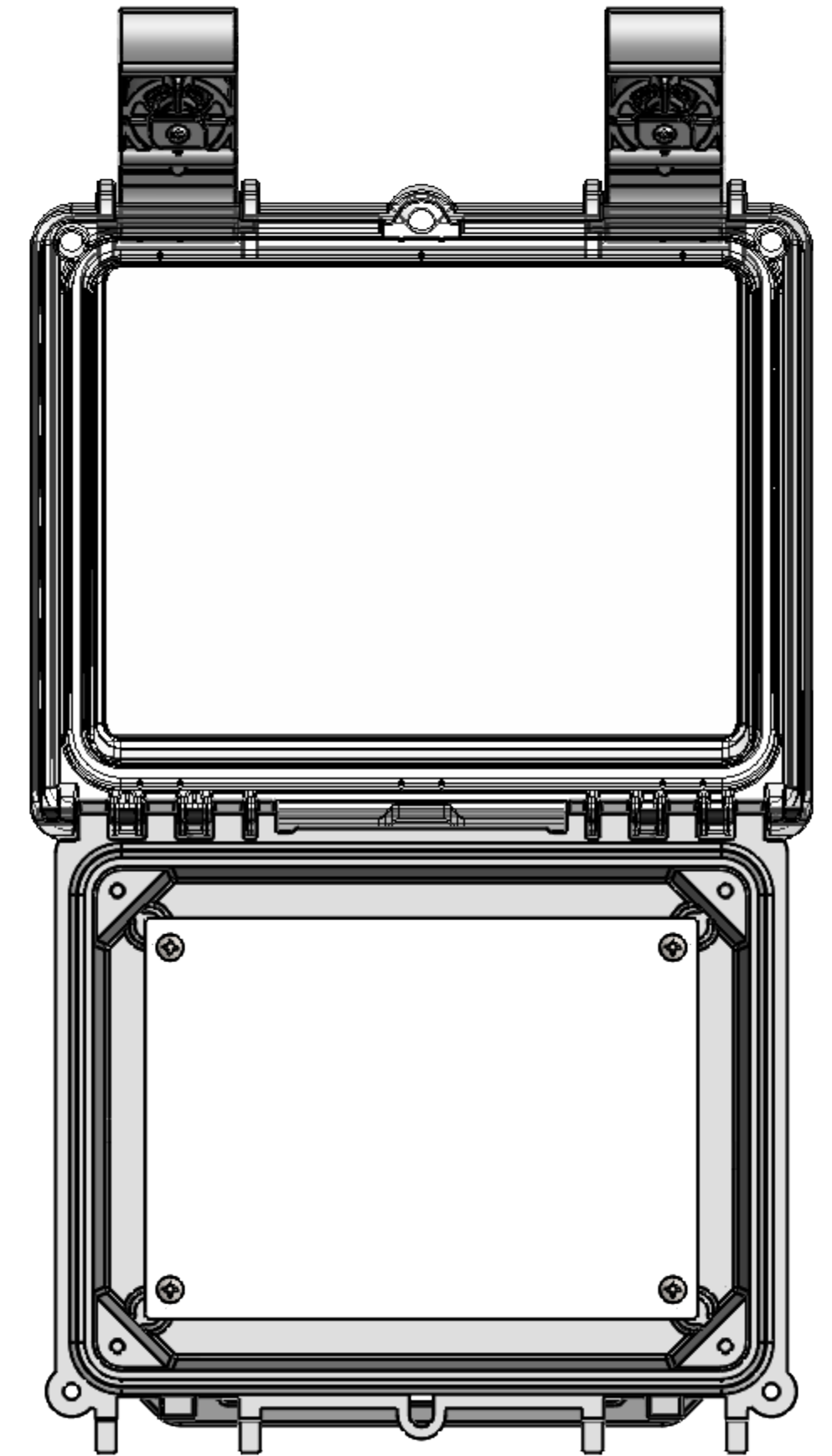
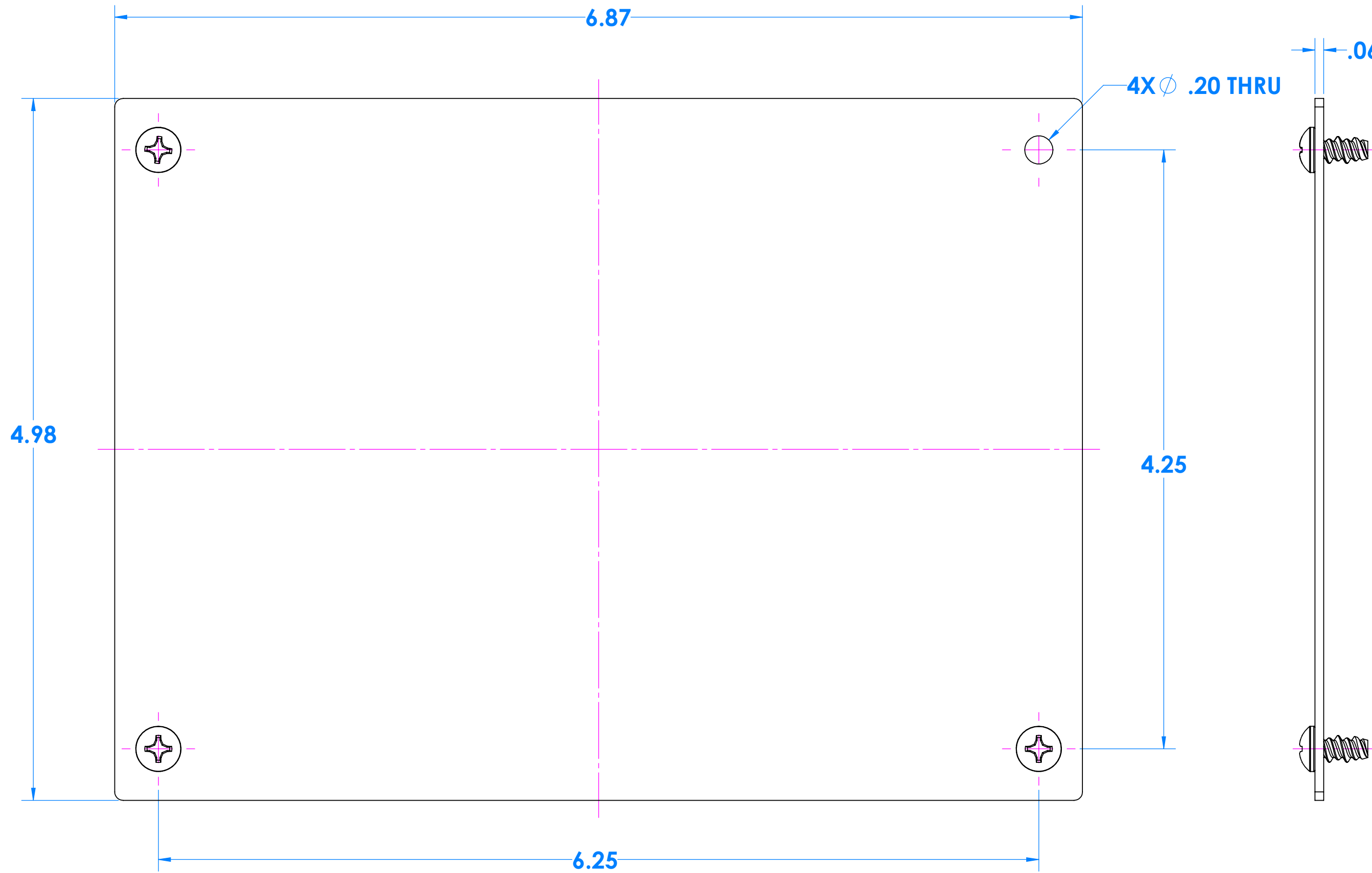


OPTIONAL ACCESSORY



PARTS INCLUDED		
P/N	Qty.	Description
71040	1	Top Aluminum Panel
6029	4	SS #10 X 3/8" Pan HL Screw

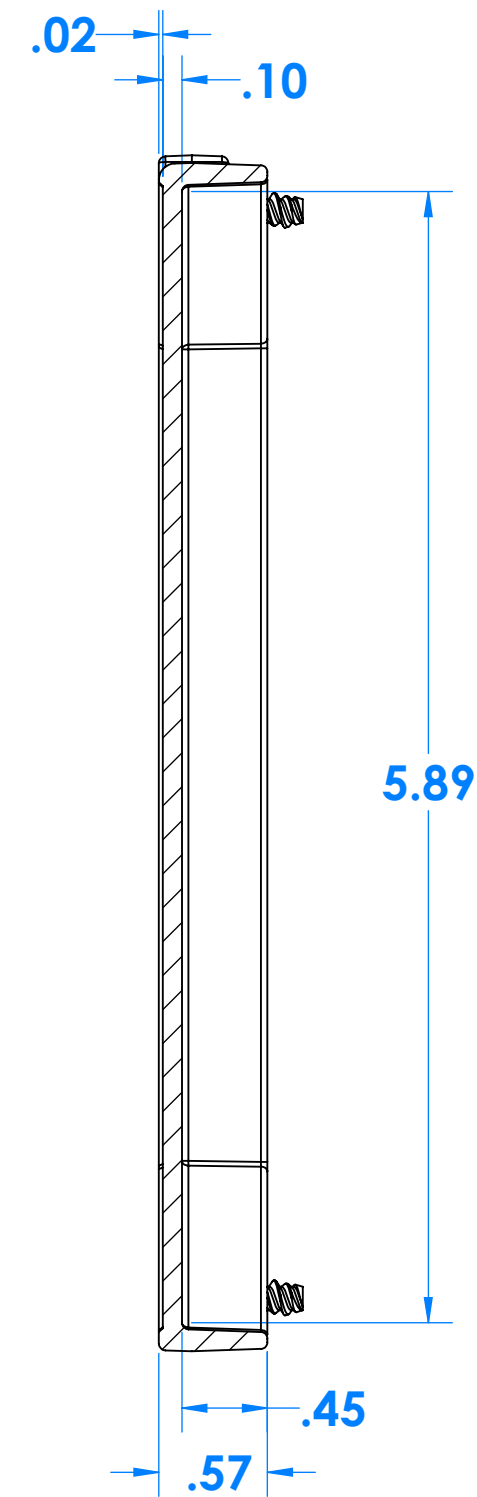
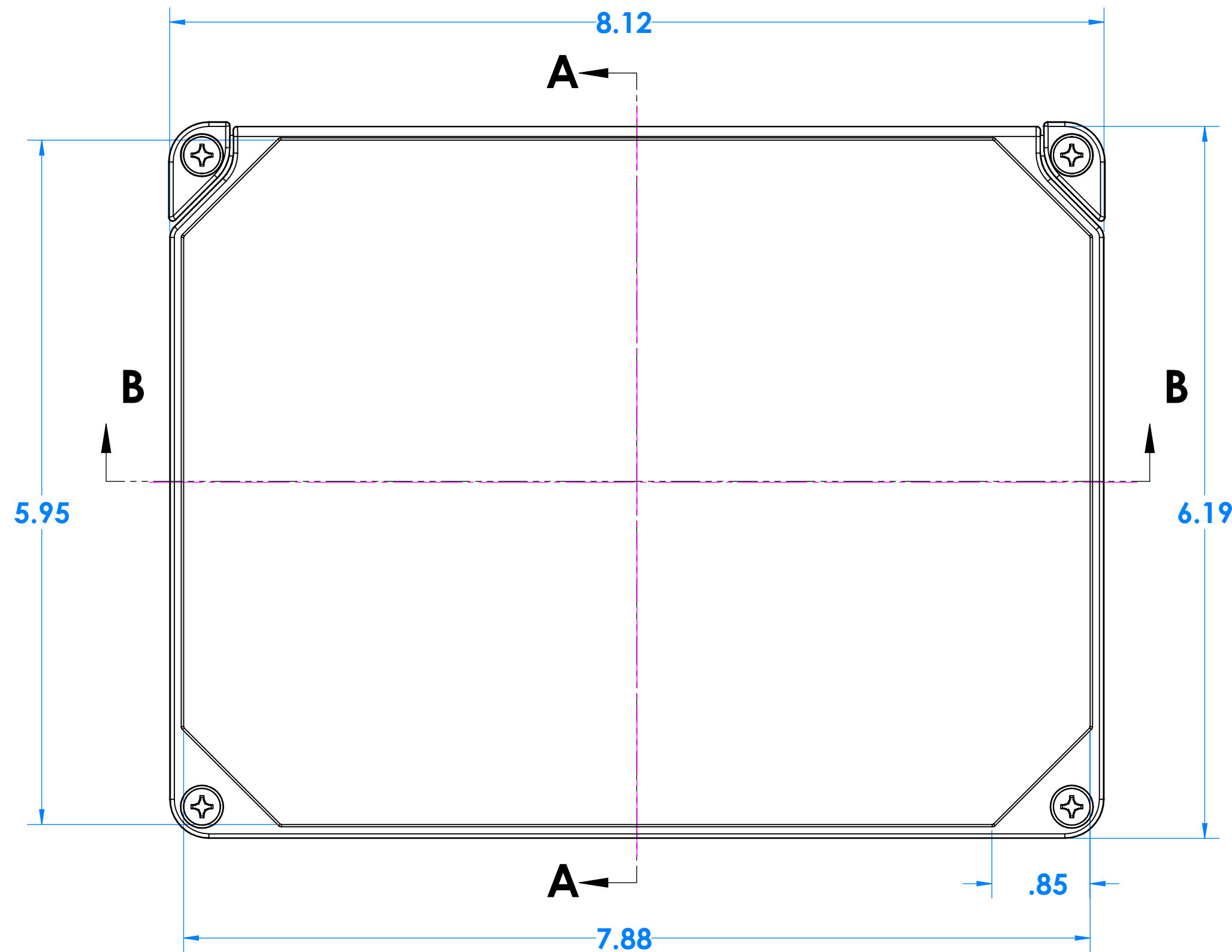
# 7100B Bottom Panel Kit for I152HL and I152HS



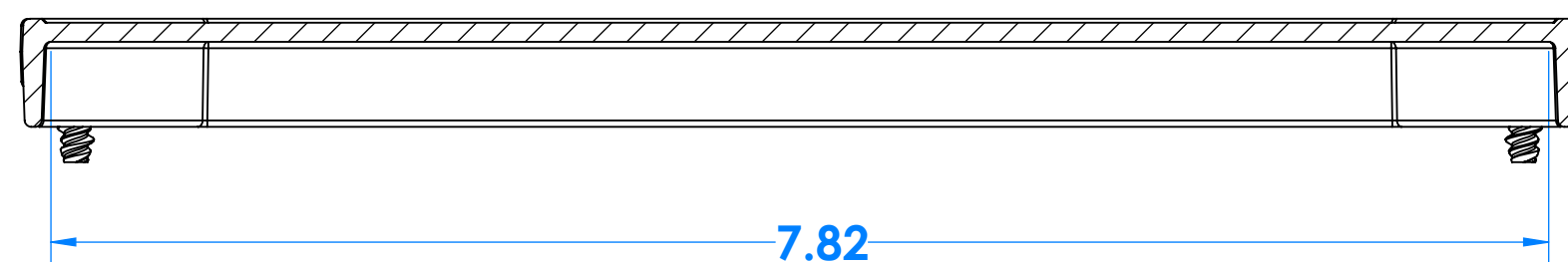
**OPTIONAL ACCESSORY**

PARTS INCLUDED		
P/N	Qty.	Description
71000	1	Bottom Aluminum Panel
6029	4	SS #10 X 3/8" Pan HL Screw

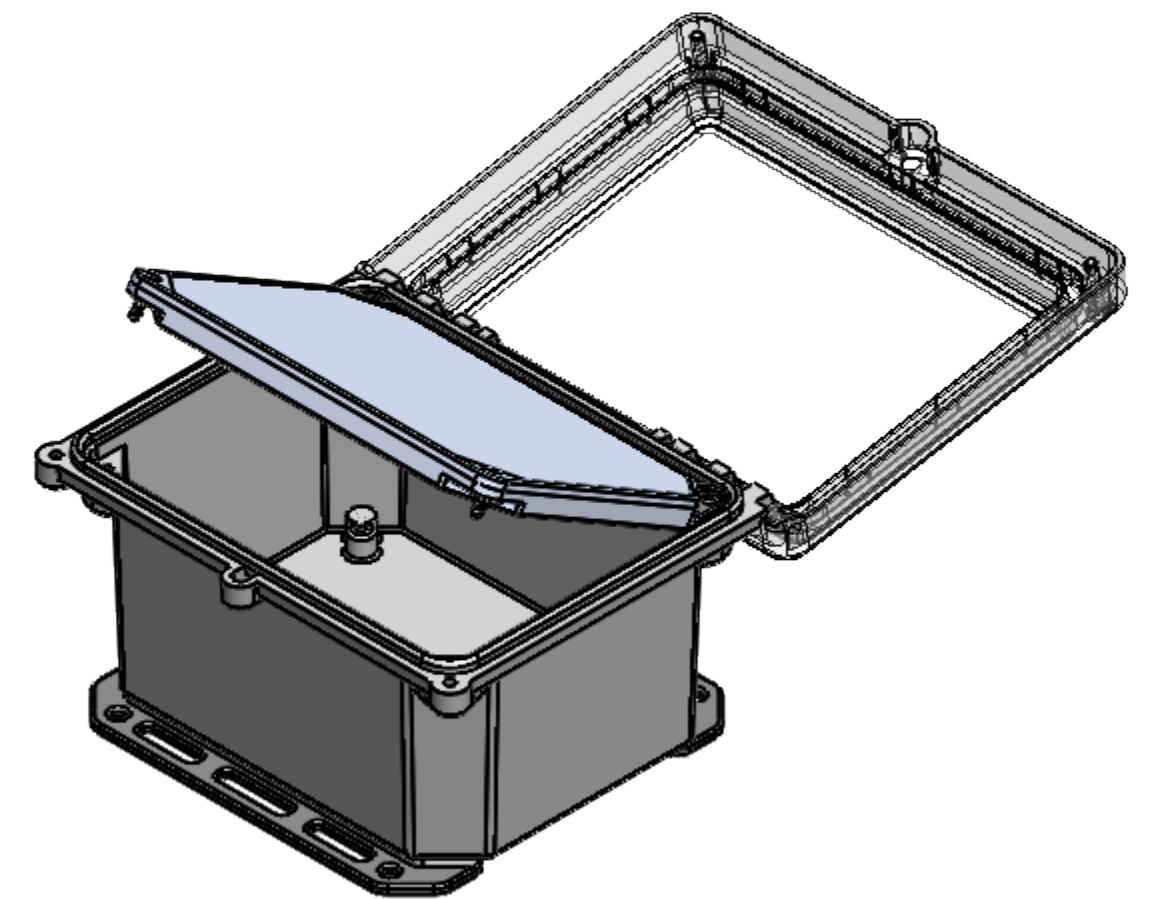
# 7100HP Plastic Hinged Top Panel Kit for I152HL and I152HS



SECTION **A-A**  
SCALE 1 : 1



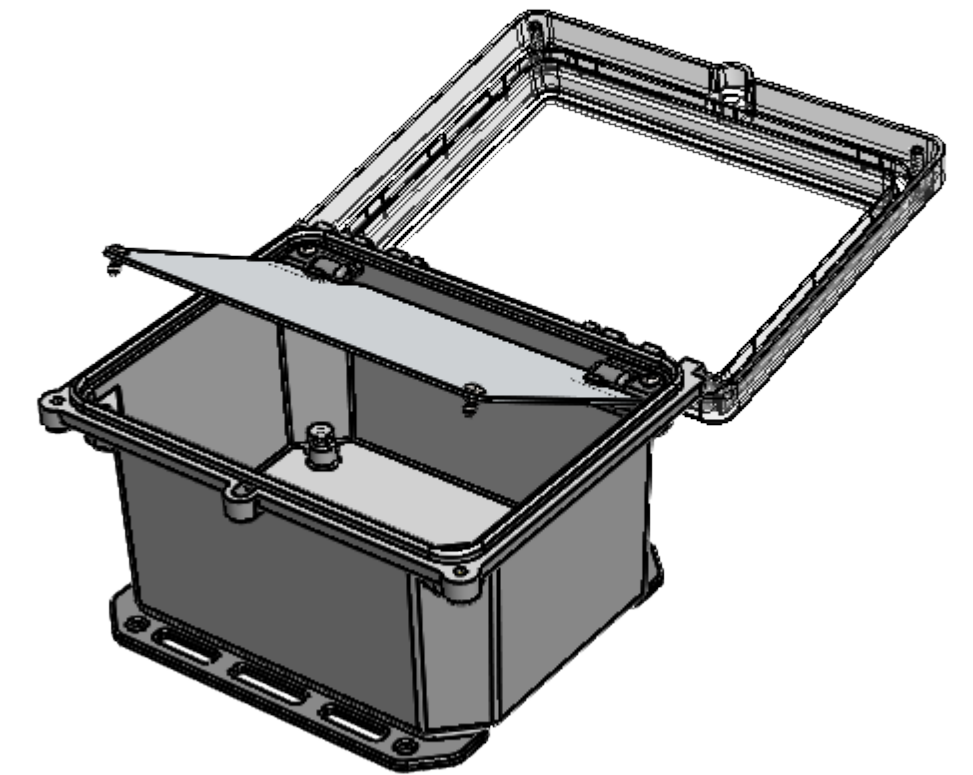
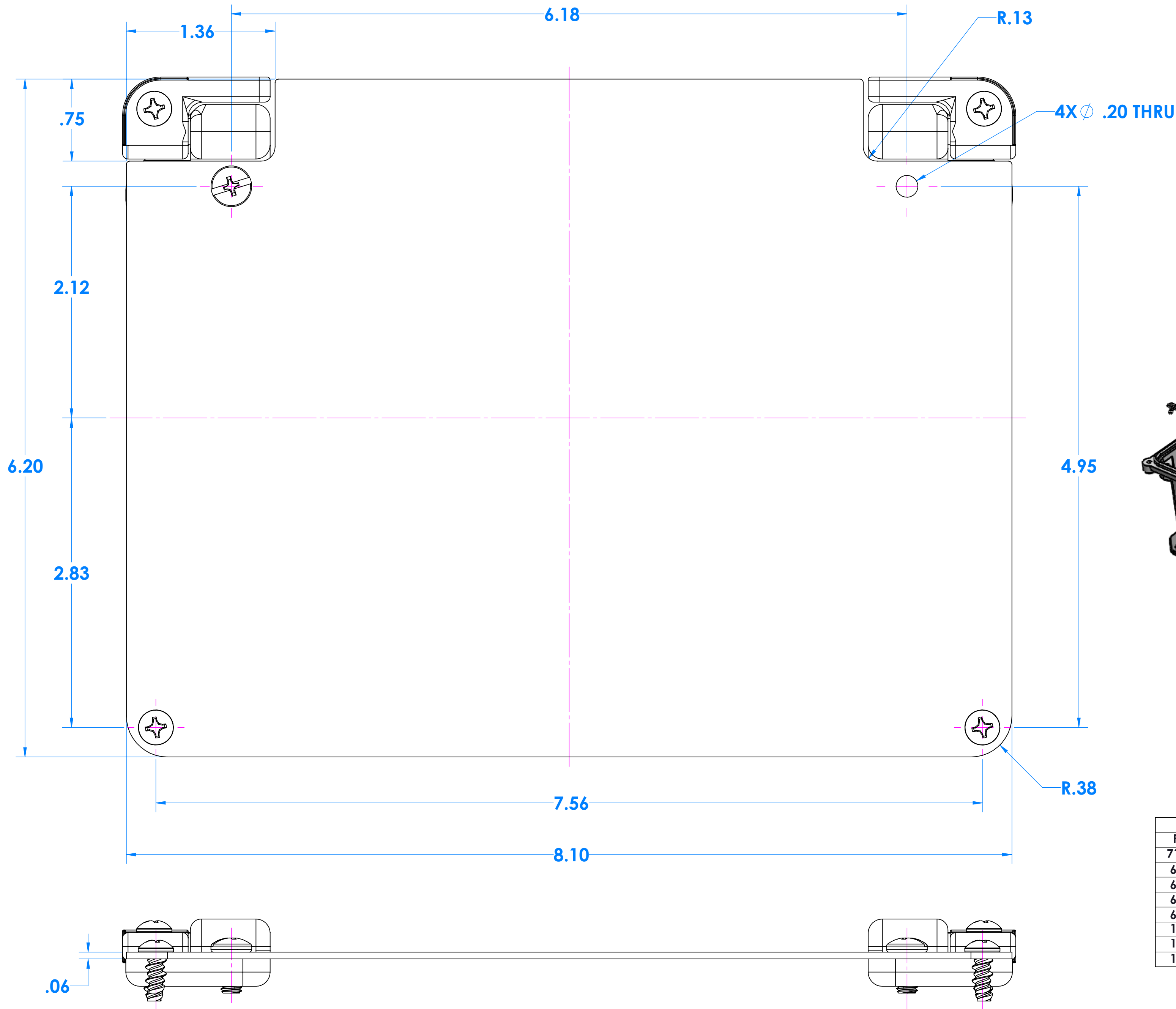
SECTION **B-B**  
SCALE 1 : 1



**OPTIONAL ACCESSORY**

Parts Included		
P/N	Qty.	Description
71021	1	Hinged Top Plastic Panel
1310	1	Hinge - Left
1311	1	Hinge - Right
6028	4	SS #10 X 5/8" Pan Combo H/L Screw

# 7100TH Aluminum Hinged Top Panel Kit for I152HL and I152HS



**OPTIONAL ACCESSORY**

PARTS INCLUDED		
P/N	Qty.	Description
71020	1	Hinged Top Aluminum Panel
6029	2	SS #10 X 3/8" Pan HL Screw
6030	2	SS #10 X 3/8" Pan Combo Screw HL Screw
6105	2	SS #10-32 X1/8" Nut
6028	2	SS #10 X 5/8" Pan Combo HL Screw
1307	2	Hinge Pin
1308	1	Panel Hinge A
1309	1	Panel Hinge B