

4

3

2

1

THIS DRAWING IS UNPUBLISHED
VERTRÄULICHE UNVERÖFFENTLICHE ZEICHNUNG

RELEASE FOR PUBLIKATION
FREI FUER VERÖFFENTLICHUNG

MATED WITH:
PASSEND ZU:

LOC AI
DIST -

REVISIONS
ÄNDERUNGEN

© COPYRIGHT 2000

BY AMP INCORPORATED

ALL RIGHTS RESERVED
ALLE RECHTE VORBEHALTEN

BG2

P LTR

DESCRIPTION
BESCHREIBUNG

DATE

DWN

APVD

PROJEKT NR.
EGGMA05416

B1

AS PER ECR-06-007023

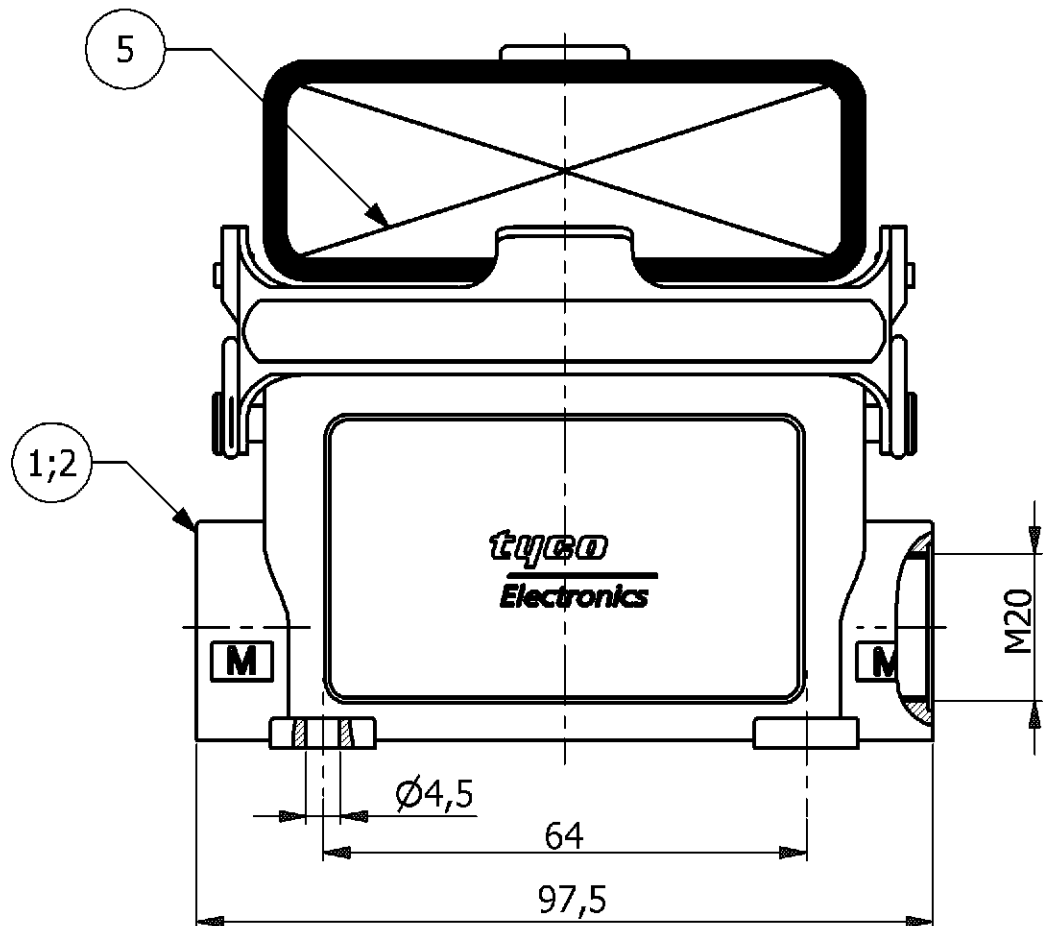
3/22/2006

PB

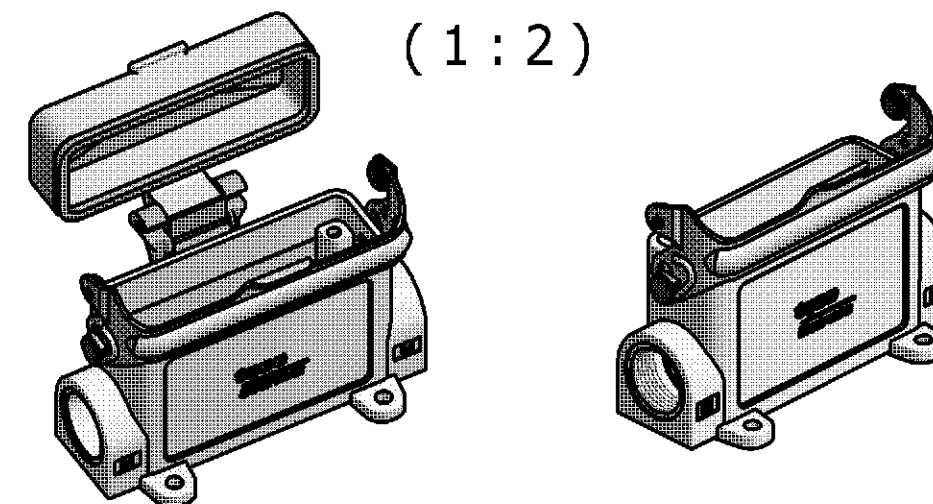
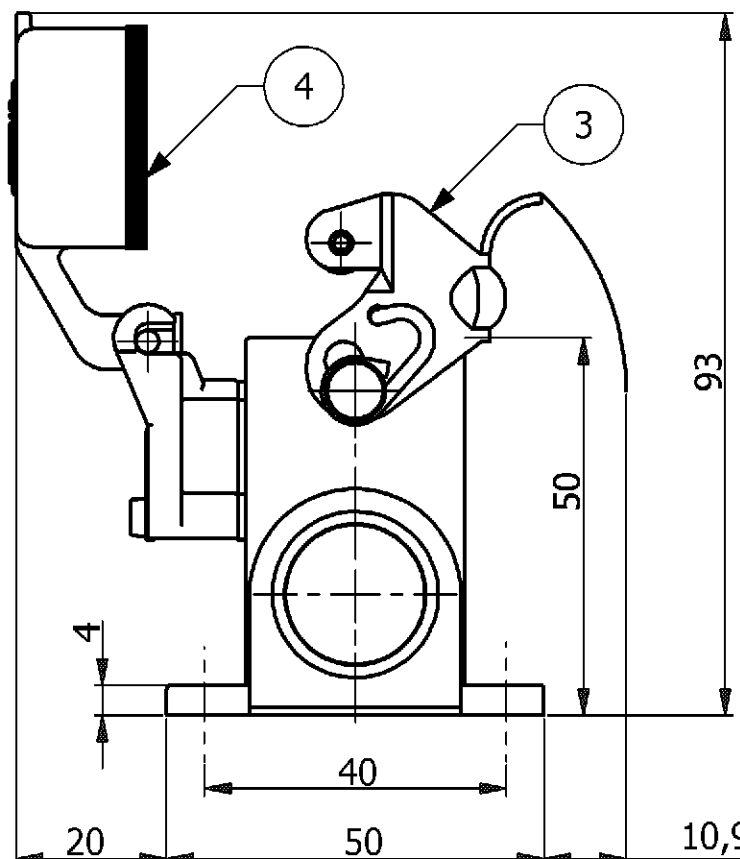
ST

NOTES

- 1 PACKAGING QUANTITY: 5 PIECES PER BOX
- 2 MATERIAL: HOUSING: ALUMINIUM DIECASTING ALLOY
SEALS: NEOPRENE
- 3 FINISH: VARNISH GREY
- 4 VARNISH ON THE INSIDE NOT NECESSARY



PN 0-2 as shown



PN 0-2

PN 0-1

QTY	DESCRIPTION	MATERIAL	SURFACE	COLOR	ITEM NO.	REMARKS
1	Cover	Aluminium	-	Grey	5	-
1	Profile Seal	Neoprene	-	Black	4	-
1	1 Side Clip	Steel	Zink Plated	Blue	3	-
1	Surface Mounted Housing-Side Entry	Aluminium	-	Grey	2	-
-	1 Surface Mounted Housing-Side Entry	Aluminium	-	Grey	1	-
0-2	0-1	ORDERING TEXT				
HA.16.SG-LB.1.M20.Z						
HA.16.SGD-LB.1.M20.Z						

DIMENSIONS: DIMENSIONEN: mm		TOLERANCES UNLESS OTHERWISE SPECIFIED: ALLGEMEINTOLERANZEN		DWN P.BENNUR 3/2/2006 CHK R.SRINIVAS 3/2/2006 APVD T.SCHNURPFEIL 3/2/2006		Tyco / Electronics AMP GmbH D - 53819 Neunkirchen	
MATERIAL		FINISH / OBERFLAECHE / FARBE		WEIGHT / GEWICHT		NAME SURFACE MOUNTED HOUSING, SIDE ENTRY HA.16.SG-LB.1.M20.Z	
		0 PLC # 1 PLC # 2 PLC # 3 PLC # ANGLES / WINKEL #		APPLICATION SPEC. VERARBEITUNGSSPEZ.		SIZE A3 CAGE CODE 00779 DRAWING NO. ZEICHNUNGS-NR. 1103058	
				CUSTOMER DRAWING / KUNDENZEICHNUNG		RESTRICTED TO NUR FUER	
				SCALE MASSSTAB 1:1 SHEET BLATT 1 OF VON 1 REV. B1			

H:\1103058\1103058.DWG