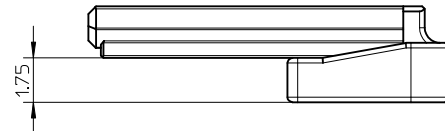
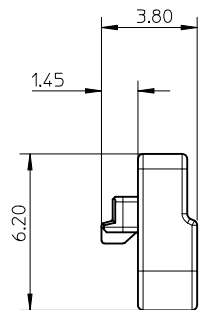
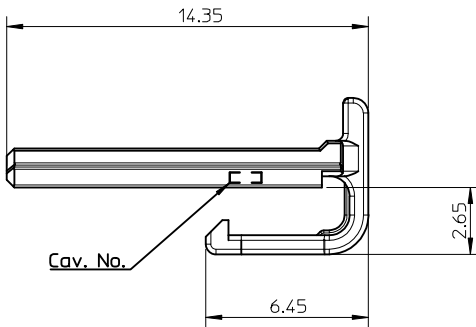
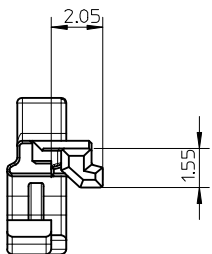
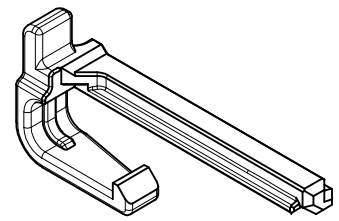


| GENERAL TOLERANCE | | | | | | | | | | USED ON |
|-------------------|--------|--------|--------|---------|---------|---------|---------|-------|--------|---------|
| 10 MAX | 30 MAX | 50 MAX | 70 MAX | 100 MAX | 120 MAX | 250 MAX | 250 OVR | ANGLE | ECCENT | |
| ±0.15 | ±0.20 | ±0.30 | ±0.40 | ±0.50 | ±0.75 | ±0.90 | ±1.4 | ±0.5° | 0.1 | |



- NOTES:
1. MATERIAL : POLYESTER (PBT), GLASS FILLED, UL94V-0
 2. APPLICABLE HOUSING : 560123-0600, 560123-0601
 3. GENERAL TOLERANCE : SEE TABLE
 4. ELV AND RoHS COMPLIANT
 5. PRODUCT SPECIFICATION : PS-560123-001
 6. PRODUCT SPECIFICATION : PK-560125-001

| | | | |
|---|-------------|-------------|-------|
| B | ORDER NO | MATERIAL NO | COLOR |
| | 560125-0600 | 560125-0600 | GRAY |
| | 560125-0601 | 560125-0601 | BLACK |

| ADDED OPTION EC NO: KTR2015-0103 DRWN: YIBA EK 2015/04/29 CHKD: APPR: JYCHO1 2015/05/29 REV | QUALITY SYMBOLS | GENERAL TOLERANCES (UNLESS SPECIFIED) <table border="1"> <thead> <tr> <th></th> <th>mm</th> <th>INCH</th> </tr> </thead> <tbody> <tr> <td>4 PLACES</td> <td>± ---</td> <td>± ---</td> </tr> <tr> <td>3 PLACES</td> <td>± ---</td> <td>± ---</td> </tr> <tr> <td>2 PLACES</td> <td>± ---</td> <td>± ---</td> </tr> <tr> <td>1 PLACE</td> <td>± ---</td> <td>± ---</td> </tr> </tbody> </table> ANGULAR ± ---° | | mm | INCH | 4 PLACES | ± --- | ± --- | 3 PLACES | ± --- | ± --- | 2 PLACES | ± --- | ± --- | 1 PLACE | ± --- | ± --- | DIMENSION STYLE | SCALE | DESIGN UNITS | THIRD ANGLE PROJECTION |
|------------------------------------------------------------------------------------------------------------|-----------------|-----------------------------------------------------------------------------------------------------------------------------------------------------------------------------------------------------------------------------------------------------------------------------------------------------------------------------------------------------------------------------------------------------------------|-------------------------------------------------------------------------------------------------------------------------------|-------------------------------------------------------------------|------|----------|-------|-------|----------|-------|-------|----------|-------|-------|---------|-------|-------|-----------------|-------|--------------|------------------------|
| | | | mm | INCH | | | | | | | | | | | | | | | | | |
| | 4 PLACES | | ± --- | ± --- | | | | | | | | | | | | | | | | | |
| | 3 PLACES | | ± --- | ± --- | | | | | | | | | | | | | | | | | |
| | 2 PLACES | | ± --- | ± --- | | | | | | | | | | | | | | | | | |
| 1 PLACE | ± --- | ± --- | | | | | | | | | | | | | | | | | | | |
| | | MM ONLY | 5:1 | METRIC | | | | | | | | | | | | | | | | | |
| | | DRAWN BY | DATE | TITLE | | | | | | | | | | | | | | | | | |
| | | YIBA EK | 2014/07/08 | NEW 2.0 PITCH W/B CONN. REC. 6WAY ISL DURA CLIK™ ISL SERIES | | | | | | | | | | | | | | | | | |
| | | CHECKED BY | DATE | MOLEX INCORPORATED | | | | | | | | | | | | | | | | | |
| | | APPROVED BY | DATE | DOCUMENT NO. | | | | | | | | | | | | | | | | | |
| | | SRTAK | 2014/08/26 | SD-560125-004 | | | | | | | | | | | | | | | | | |
| | | MATERIAL NO. | | SHEET NO. | | | | | | | | | | | | | | | | | |
| | | SEE TABLE | | 1 OF 1 | | | | | | | | | | | | | | | | | |
| | | SIZE | THIS DRAWING CONTAINS INFORMATION THAT IS PROPRIETARY TO MOLEX INCORPORATED AND SHOULD NOT BE USED WITHOUT WRITTEN PERMISSION | | | | | | | | | | | | | | | | | | |
| | | A3 | | | | | | | | | | | | | | | | | | | |