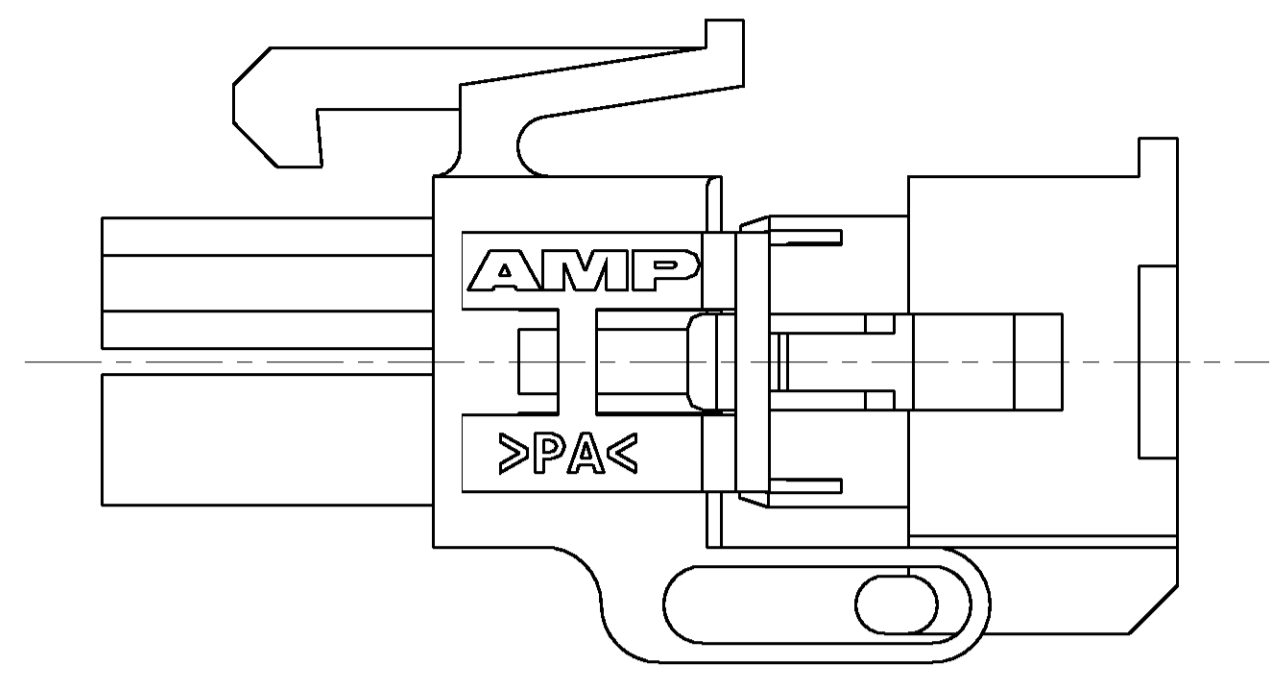
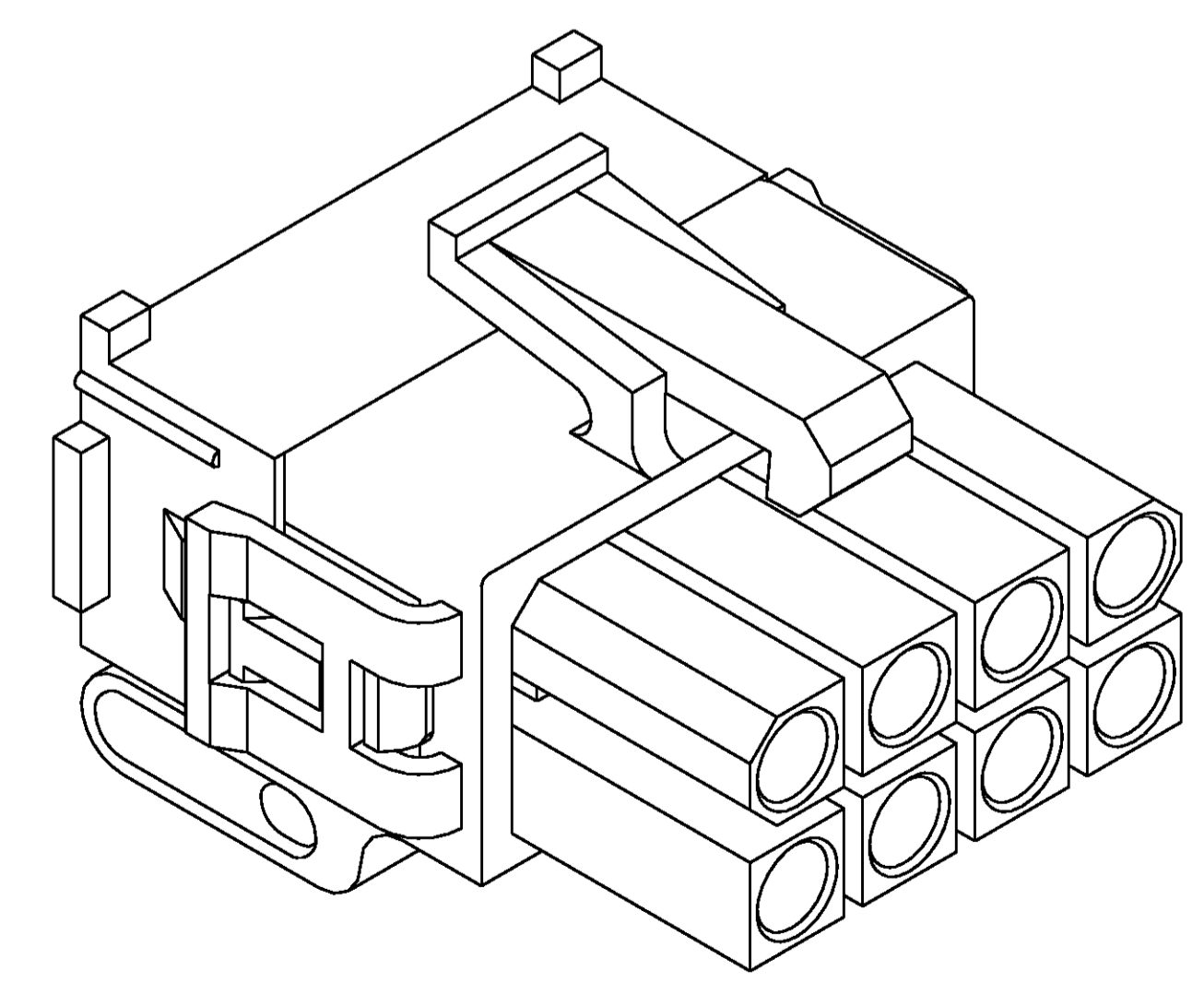
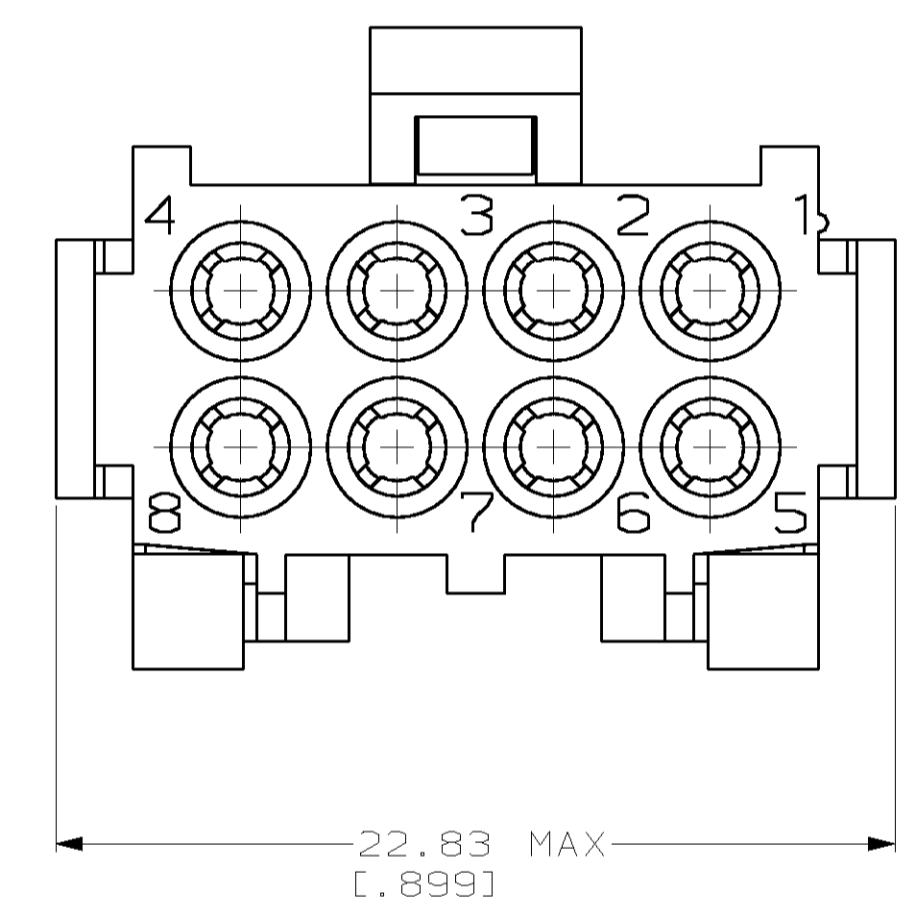
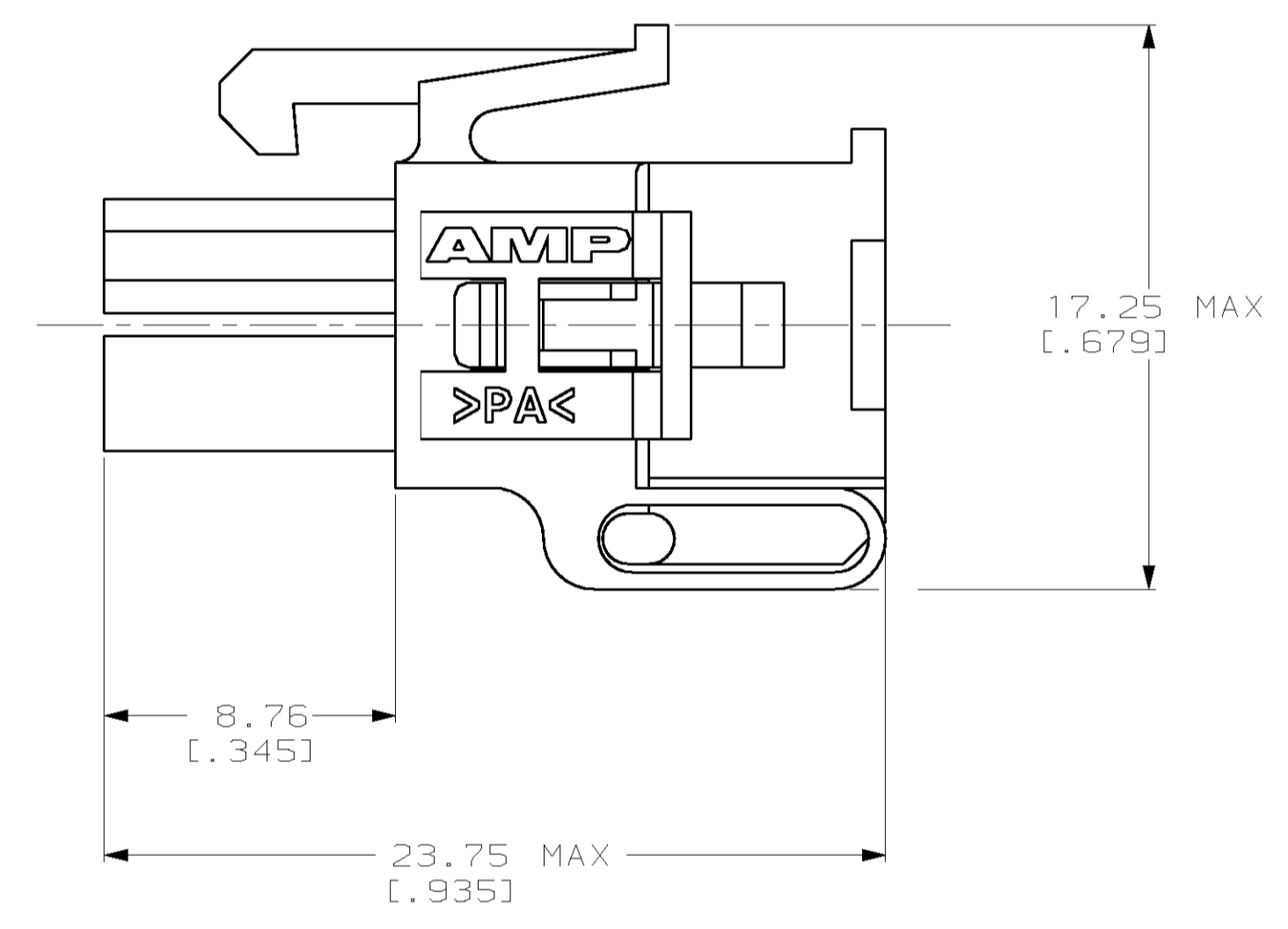
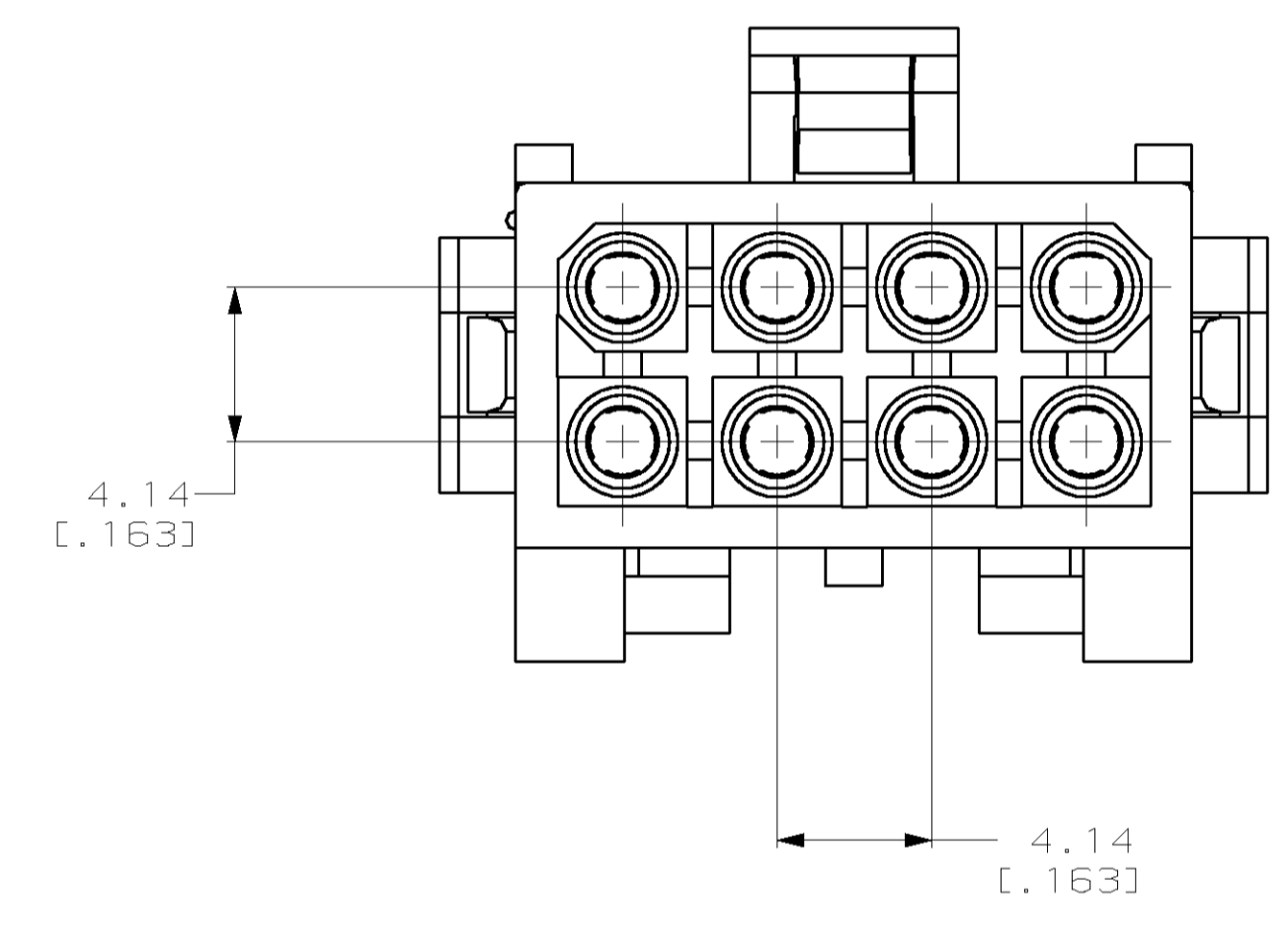


LOC	DIST	REVISIONS			
F	CHR	DESCRIPTION	DATE	OWN	APVD
B		REV PER EC 061B-0094-99	23-SEP-99	KW	KC



PRE-STAGED CONDITION

1. DIMENSIONS IN BRACKETS ARE IN INCHES.



3-DIMENSIONAL MODEL
NTS

794245-1
PART NUMBER



THIS DRAWING IS A CONTROLLED DOCUMENT.		DWN K. WHITAKER 5-13-97	AMP AMP Incorporated Harrisburg, PA 17105-3608
DIMENSIONS:		CHK R. SWING 5-13-97	
mm	TOLERANCES UNLESS OTHERWISE SPECIFIED:	APVD R. ORSTAD 5-13-97	NAME PLUG, 8 CIRCUIT, MINI UNIVERSAL MATE-N-LOK™ 2
0 PLC ±	0.13 (0.005)	PRODUCT SPEC	SIZE CAGE CODE DRAWING NO
1 PLC ±	0.13 (0.005)	APPLICATION SPEC	A1 00779 C-794245
2 PLC ±	0.13 (0.005)	WEIGHT	RESTRICTED TO
3 PLC ±	0.13 (0.005)	CUSTOMER DRAWING	SCALE 5:1 SHEET 1 OF 1 REV B
4 PLC ±	0.13 (0.005)		
ANGLES	±		
MATERIAL NYLON, UL 94V-2,NATURAL	FINISH		